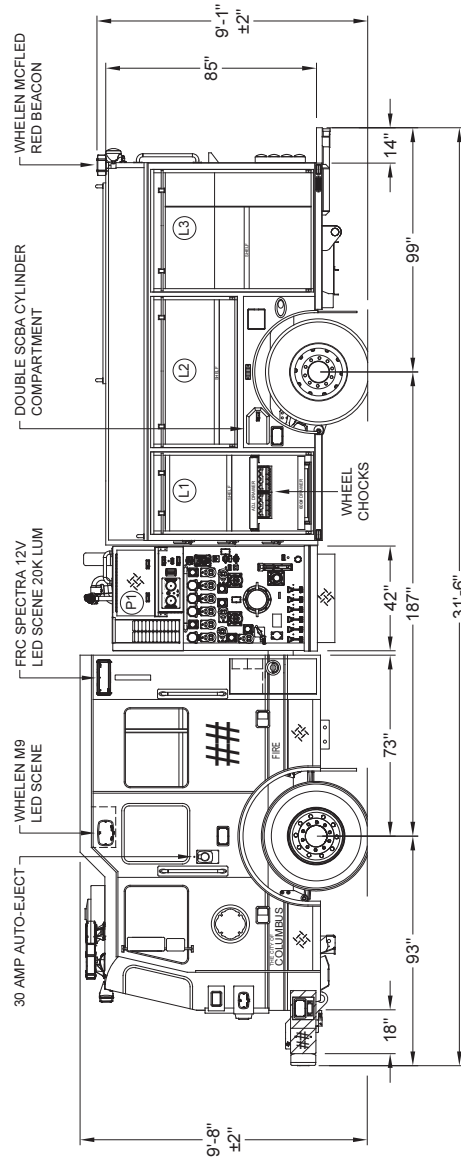
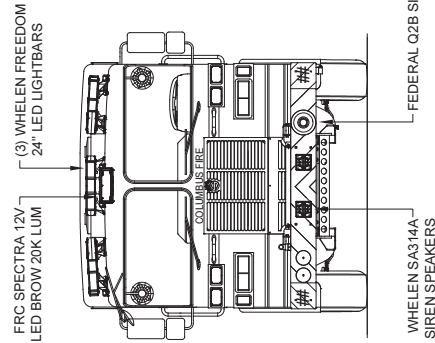
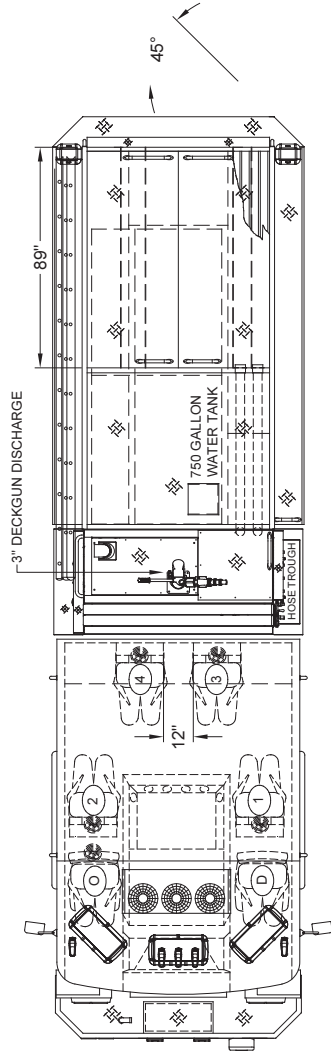
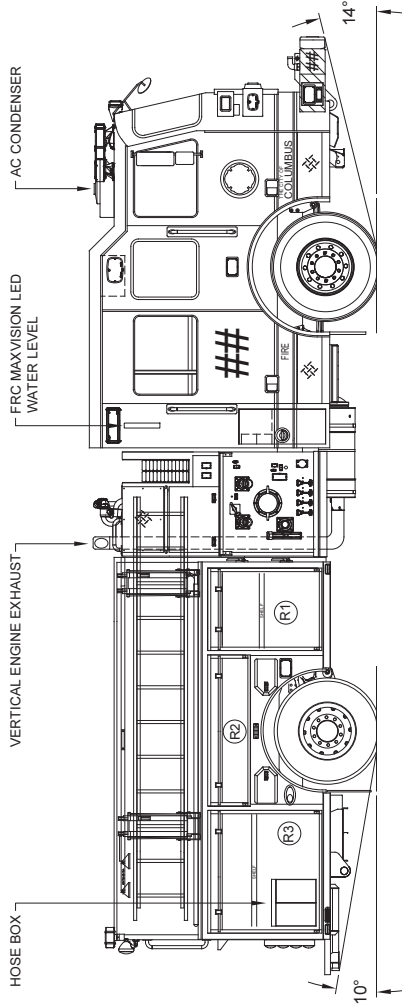


COMP	DOORS	OPENING DIMENSIONS	INSIDE DIMENSIONS	VOLUME
L1	ROLL UP	29" W X 56" H	36 1/2" W X 66" H X 27 1/4" D (12" d upper)	35.6 CU. FT.
L2	ROLL UP	58 1/2" W X 27 1/4" H	62" W X 35 7/8" H X 12" D	15.4 CU. FT.
L3	ROLL UP	44" W X 56" H	48" W X 66" H X 27 1/4" D (12" d upper)	39 CU. FT.
P1	LIFT UP	44" W X 56" H	23" W X 15 3/4" H X 30" D	6.2 CU. FT.
RIGHT SIDE COMPARTMENTS				
COMP	DOORS	OPENING DIMENSIONS	INSIDE DIMENSIONS	VOLUME
R1	ROLL UP	29" W X 39 1/2" H	36 1/2" W X 50 1/2" H X 27 1/4" D	29 CU. FT.
R2	ROLL UP	58 1/2" W X 12" H	62" W X 20 1/4" H X 12" D	6.7 CU. FT.
R3	ROLL UP	44" W X 39 1/2" H	48" W X 50 1/2" H X 27 1/4" D (12" d upper)	28.76 CU. FT.
REAR STEP COMPARTMENTS				
COMP	DOORS	OPENING DIMENSIONS	INSIDE DIMENSIONS	VOLUME
A1	ROLL UP	37 1/2" W X 31" H	40" W X 40" W X 27 1/2" D	23 CU. FT.

TOTAL STORAGE: 186.6 CU. FT.



HS#	UNIT #
6355	10
6356	12
6357	13
6358	20
6359	26

SUTPHEN
CITY OF COLUMBUS DIVISION OF FIRE
COLUMBUS, OH
CUSTOM PUMPER - PS-08 BODY
HS-6358-5B

THIS PRINT IS PROVIDED ON A RESTRICTED BASIS AND IS NOT TO BE USED IN ANY WAY DETRIMENTAL TO THE INTEREST OF SUTPHEN CORPORATION.

REV	DESCRIPTION	DATE	BY
A	REV-A SHOP ORDER	08/30/18	RM
B	SEVERAL CLARIFICATIONS AND (1) ADDITION - SEE SO REVISION EMAIL FOR FULL LIST	12/02/19	RM
C	MULTIPLE UPDATES - SEE SHOP ORDER CHANGE SUMMARY	03/27/19	RM
D	SMALL CORRECTIONS / CLARIFICATIONS - SEE SO CHANGE SUMMARY ON SHARED	06/20/19	RM

DRAWN BY: R. MILLER
DATE: 12/02/19
MFG FACILITY: DUBLIN

DIMENSIONS SHOWN ON THIS DRAWING ARE APPROXIMATE AND ARE SUBJECT TO MINOR DEVIATIONS DURING CONSTRUCTION.
IN THE EVENT OF A DISCREPANCY BETWEEN THE SUTPHEN SPECIFICATIONS AND DRAWING, THE SUTPHEN SPECIFICATIONS SHALL PREVAIL.
DRAWING IS FOR REFERENCE ONLY. SOME ITEMS PROPOSED MAY NOT BE SHOWN OR NOTED.

CUSTOMER APPROVAL

NAME: _____
TITLE: _____
DATE: _____