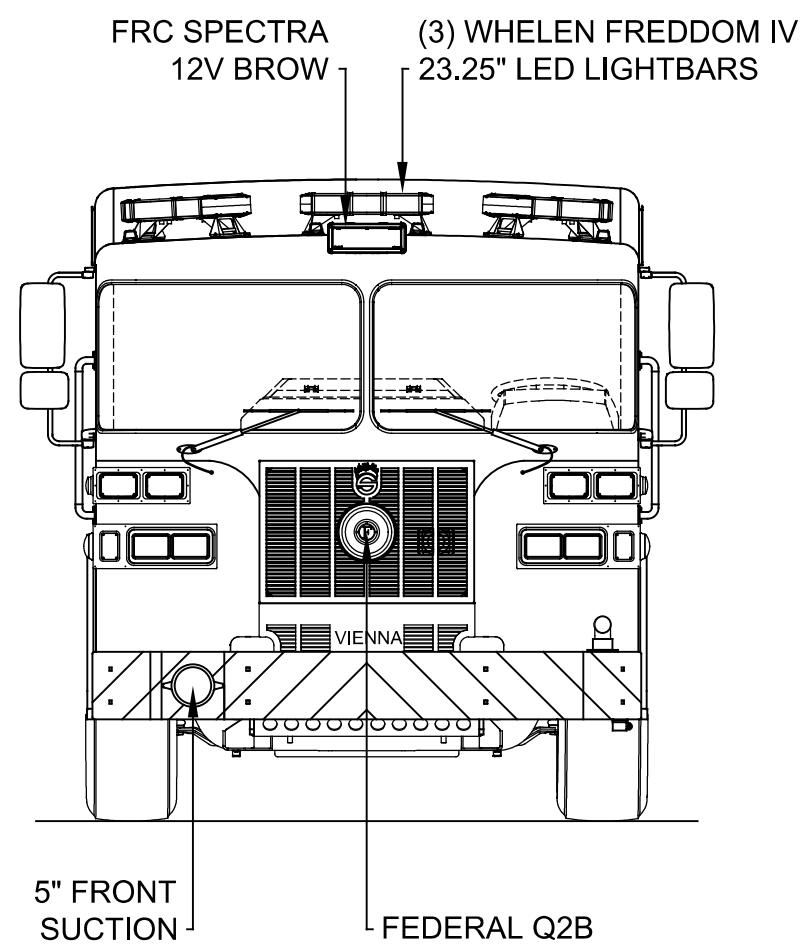
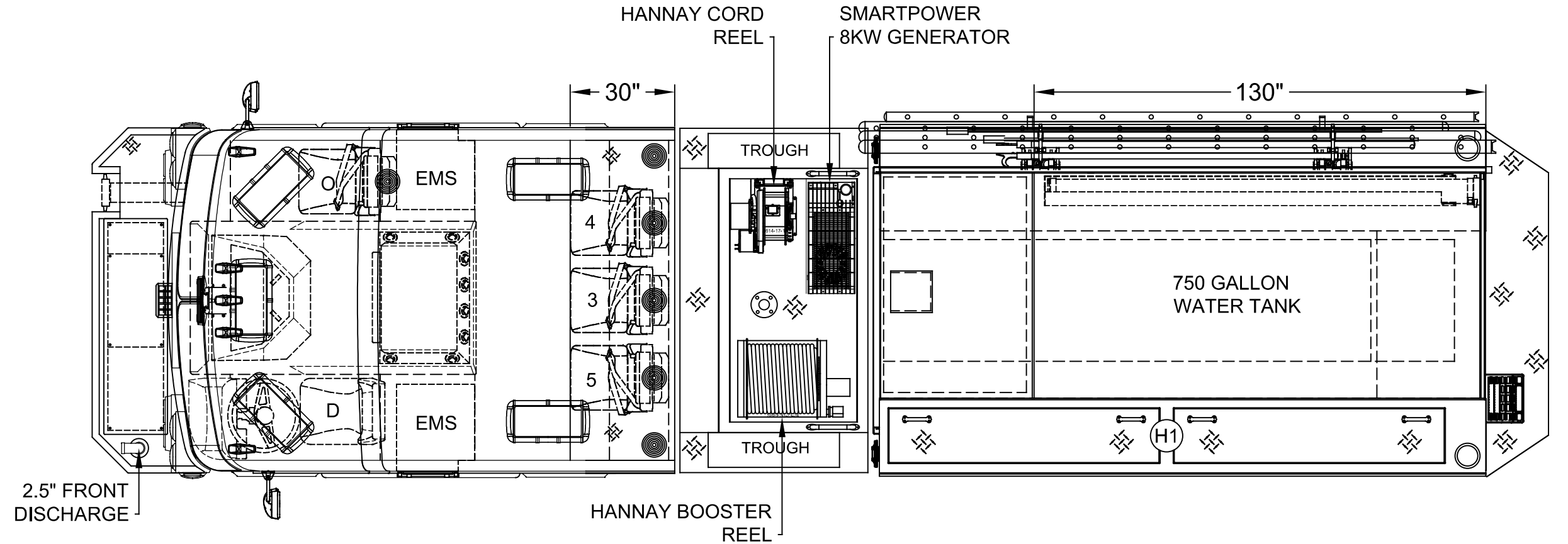


LEFT SIDE COMPARTMENTS				
COMPT	DOORS	OPENING DIMENSIONS	INSIDE DIMENSIONS	VOLUME
L1	ROLL-UP	47.4"w X 61.3"h	54.1"w X 72"h X 27.3"d	54.5 CU. FT. (32"h X 20.3"d UPPER)
L2	ROLL-UP	57.5"w X 28.2"h	61.6"w X 38.8"h X 20.3"d	28.1 CU. FT.
L3	ROLL-UP	49.5"w X 61.3"h	53.4w X 72"h X 27.3"d	53.8 CU. FT. (32"h X 20.3"d UPPER)
H1	LIFT-UP	(2) 15.5"w X 75.75"l	174.8"w X 6.5"h X 22.1"d	14.5 CU. FT.

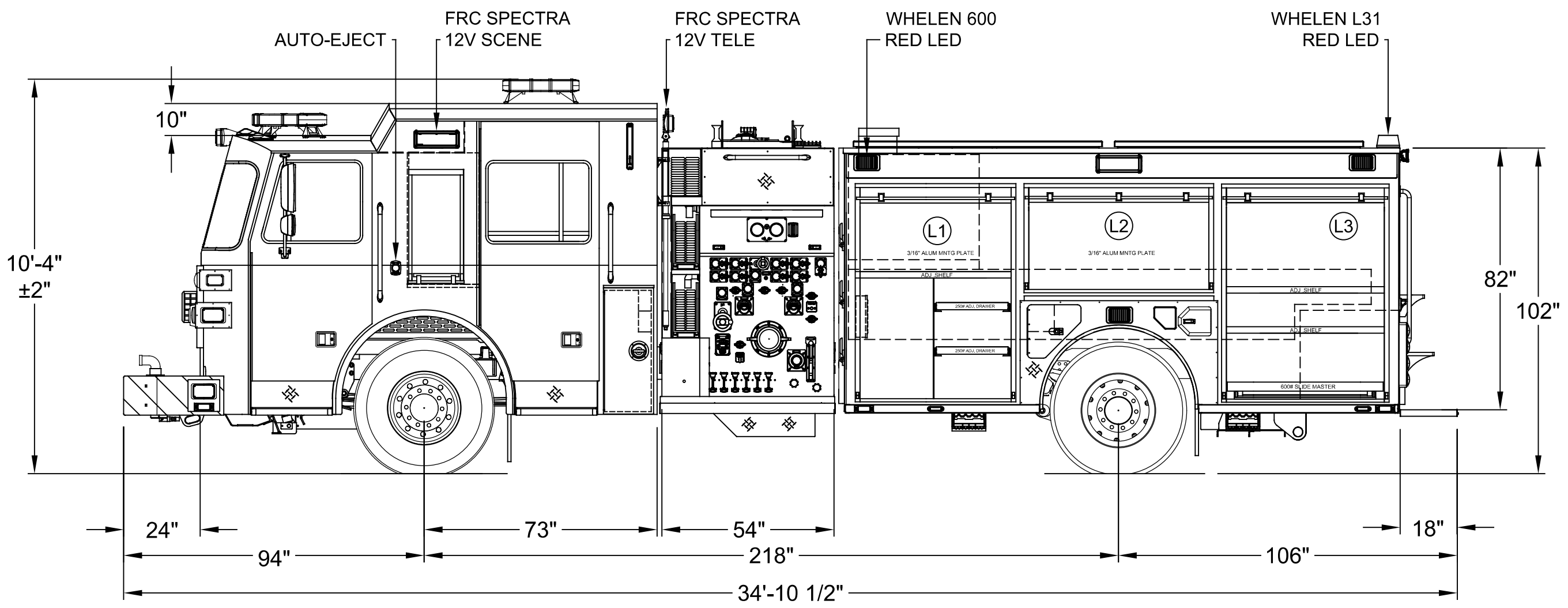
RIGHT SIDE COMPARTMENTS				
COMPT	DOORS	OPENING DIMENSIONS	INSIDE DIMENSIONS	VOLUME
R1	ROLL-UP	47.5"w X 28"h	54.1"w X 34"h X 27.3"d	29.1 CU. FT.
R3	ROLL-UP	49.5"w X 28"h	53.4"w X 34"h X 27.3"d	28.7 CU. FT.

REAR STEP COMPARTMENT				
COMPT	DOORS	OPENING DIMENSIONS	INSIDE DIMENSIONS	VOLUME
A1	ROLL-UP	37.5"w X 18.8"h	40"w X 28" h X 31"d	20.1 CU. FT.

TOTAL: 228.8 CU.FT.



TWO TONE CAB
 PAINT BREAK OPTION #3
 GRAY OVER RED



DIMENSIONS SHOWN ON THIS DRAWING ARE APPROXIMATE AND ARE SUBJECT TO MINOR DEVIATIONS DURING CONSTRUCTION.

IN THE EVENT OF A DISCREPANCY BETWEEN THE SUTPHEN SPECIFICATIONS AND DRAWING, THE SUTPHEN SPECIFICATIONS SHALL PREVAIL.

DRAWING IS FOR REFERENCE ONLY. SOME ITEMS PROPOSED MAY NOT BE SHOWN OR NOTED.

CUSTOMER APPROVAL

NAME: _____

TITLE: _____

DATE: _____

REV.	DESCRIPTION	BY	DATE
J	REFERENCE SHOP ORDER REVISION EMAIL	TF	01/16/25
I	REFERENCE SHOP ORDER REVISION EMAIL	TF	12/04/24
H	REFERENCE SHOP ORDER REVISION EMAIL	TF	11/21/24
G	REFERENCE SHOP ORDER REVISION EMAIL	TF	10/18/24

THIS PRINT IS PROVIDED ON A RESTRICTED BASIS AND IS NOT TO BE USED IN ANY WAY DETRIMENTAL TO THE INTEREST OF SUTPHEN CORPORATION.

DRAWN BY:
T.FAHOUM

DATE:
01/31/22

MFG. FACILITY:
URBANA

SUTPHEN

VIENNA FIRE DEPARTMENT
 PFAFFTOWN, NC

CUSTOM PUMPER - PA-11

DWG. NO.: HS-7442