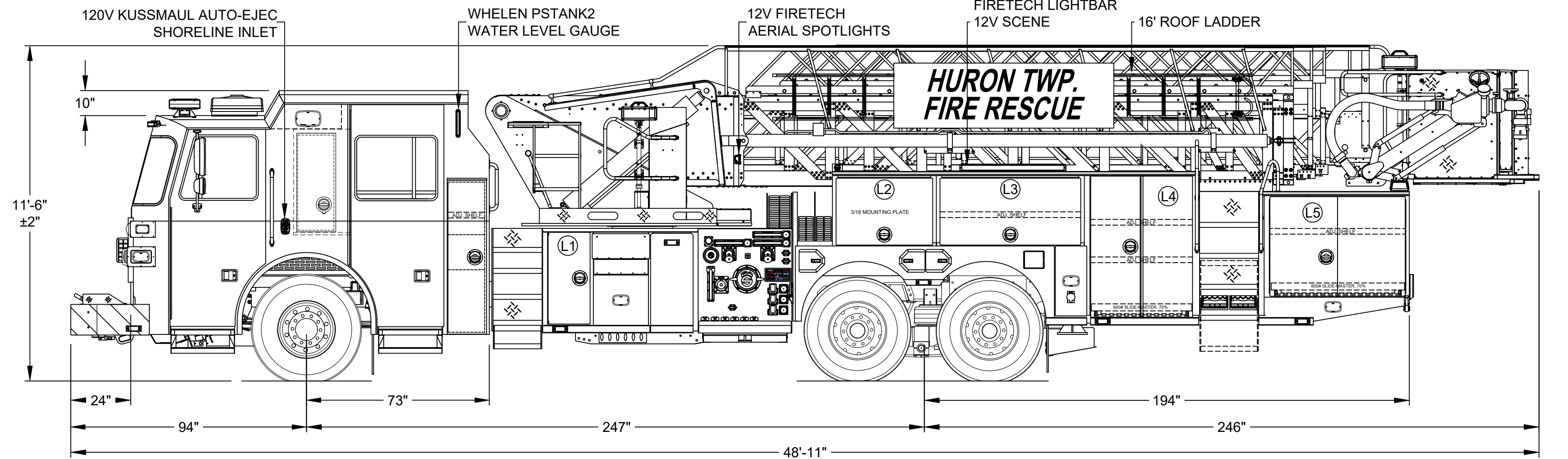
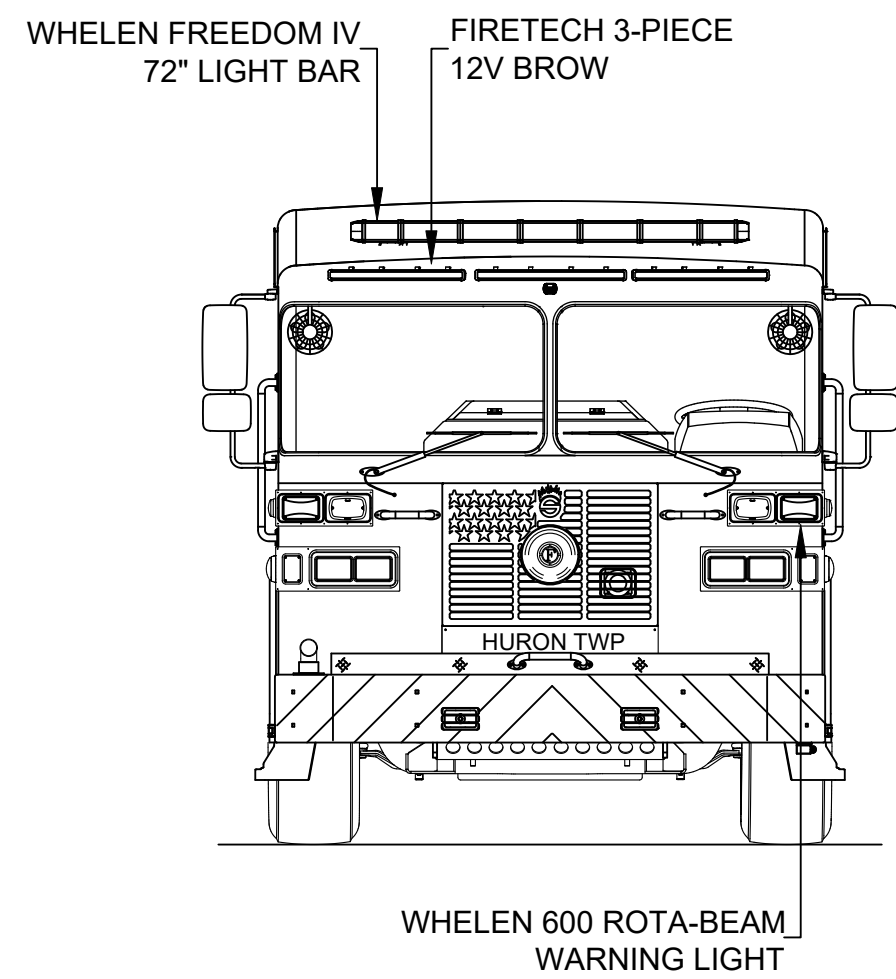
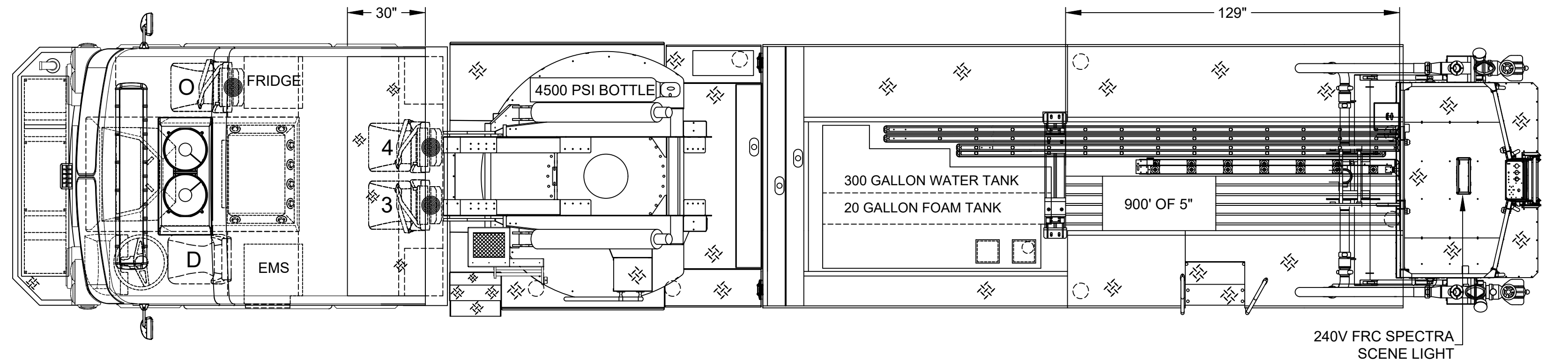


TWO TONE CAB
BLACK OVER RED
PAINT BREAK #2



DOOR OPENINGS			COMPARTMENT DIMENSIONS		
COMPT.	HEIGHT	WIDTH	HEIGHT	WIDTH	DEPTH
L1	34 1/16	13 7/16	38 1/2	20 5/16	19 7/8
L2	23	33 1/4	27 1/2	41 1/2	12 1/8
L3	23	50 1/4	27 1/2	58	12 1/8
L4	51 3/4	37 1/2	56 1/2	45 3/4	26 1/2
L5	43 3/4	15	48 1/2	22	26 1/2
L6	35 3/8	30 3/4	40 1/8	34 3/4	26 1/2

DOOR OPENINGS			COMPARTMENT DIMENSIONS		
COMPT.	HEIGHT	WIDTH	HEIGHT	WIDTH	DEPTH
R1	34 1/16	33 7/16	38 1/2	40	8 1/2 LOWER 10" 27 1/2 UPPER 28 1/2
R2	23	33 1/4	27 1/2	41 1/2	26 1/2
R3	23	50 1/4	27 1/2	58	26 1/2
R4	51 3/4	37 1/2	56 1/2	45 3/4	26 1/2
R5	51 3/4	37 1/2	56 1/2	45 3/4	26 1/2
R6	35 3/8	30 3/4	40 1/8	34 3/4	26 1/2

DOOR OPENINGS			COMPARTMENT DIMENSIONS		
COMPT.	HEIGHT	WIDTH	HEIGHT	WIDTH	DEPTH
A1	9 1/8	24 1/2	9 7/8	26	88

TOTAL COMPARTMENT VOLUME - 283.49 CU.FT.

DIMENSIONS SHOWN ON THIS DRAWING ARE APPROXIMATE AND ARE SUBJECT TO MINOR DEVIATIONS DURING CONSTRUCTION.

IN THE EVENT OF A DISCREPANCY BETWEEN THE SUTPHEN SPECIFICATIONS AND DRAWING, THE SUTPHEN SPECIFICATIONS SHALL PREVAIL.

DRAWING IS FOR REFERENCE ONLY. SOME ITEMS PROPOSED MAY NOT BE SHOWN OR NOTED.

CUSTOMER APPROVAL

NAME: _____

TITLE: _____

DATE: _____

REV.	DESCRIPTION	BY	DATE
-	-	-	-
C	**REV-C** SHOP ORDER	AM	12/02/24
B	**REV-B** SHOP ORDER	AM	06/17/24
A	**REV-A** SHOP ORDER	TF	05/11/23

DRAWN BY:
T.FAHOUM
DATE:
12/13/2022
MFG. FACILITY:
DUBLIN

SUTPHEN

HURON TOWNSHIP FIRE DEPARTMENT
NEW BOSTON, MI

SPH100 AERIAL PLATFORM

DWG. NO.: 7722