

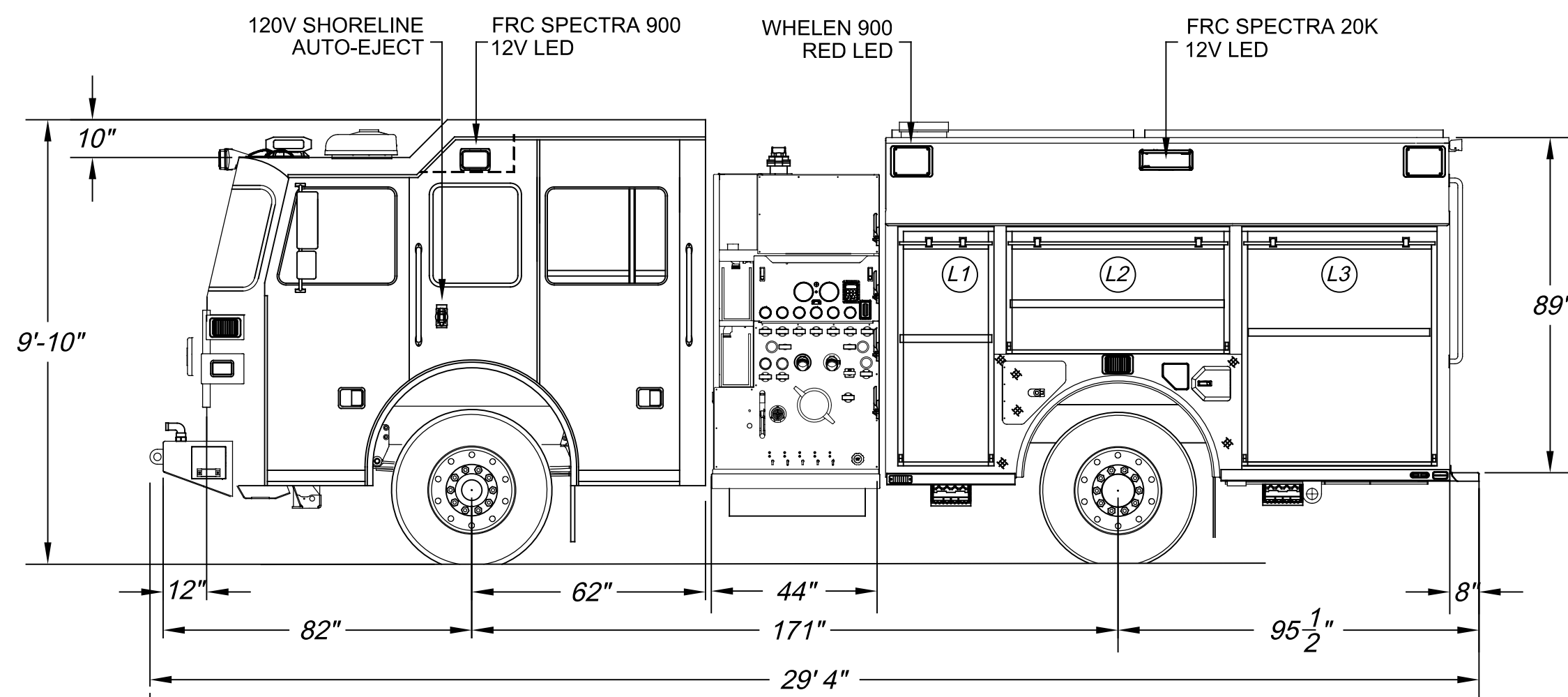
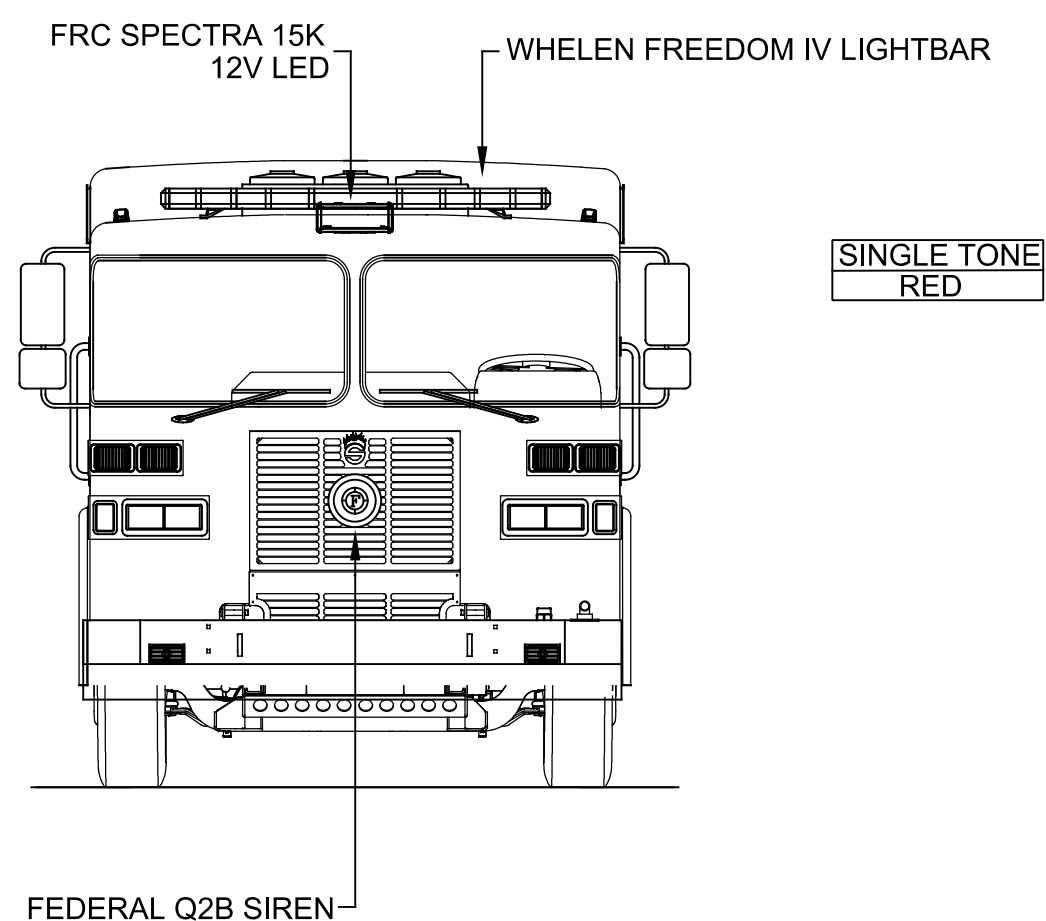
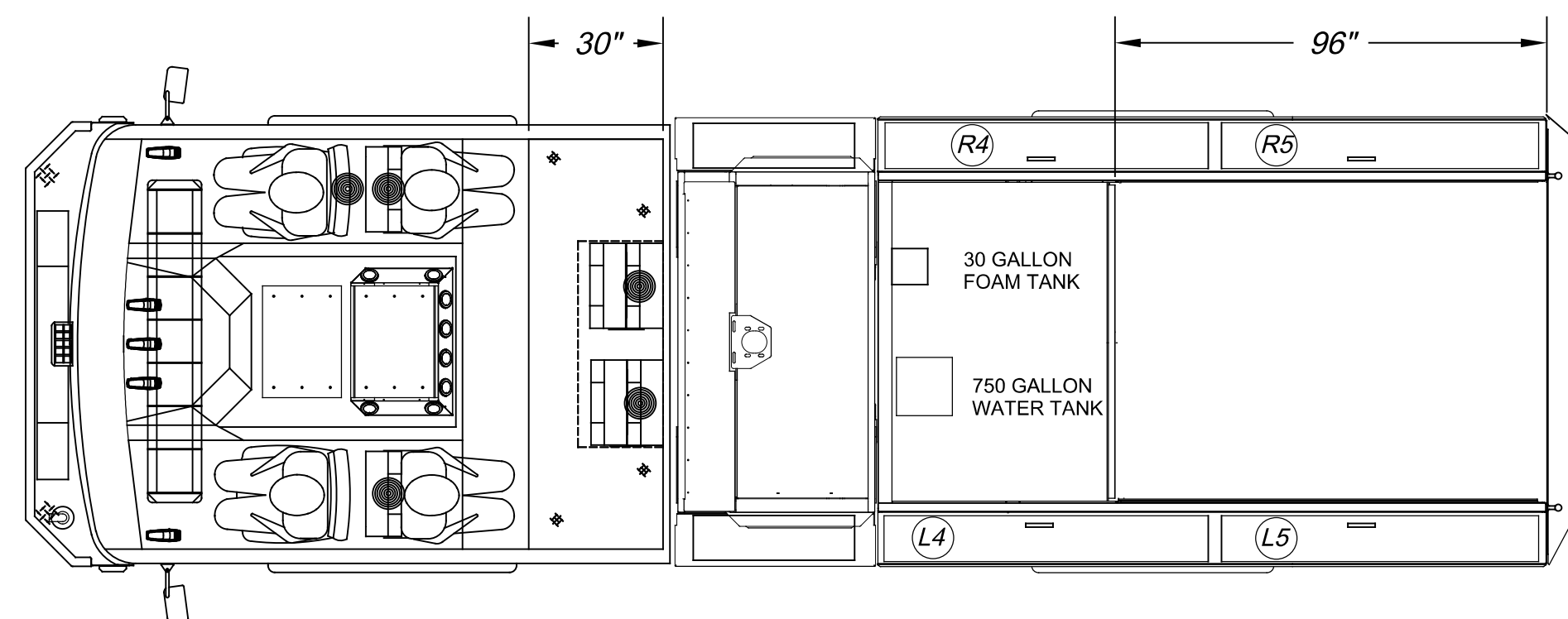
LEFT SIDE COMPARTMENTATION				
COMPT	DOORS	INSIDE DIMENSIONS	DOOR OPENING DIMENSIONS	VOLUME
L1	ROLL-UP	25"W X 66"H X 26"D	22.5"W X 56 1/2"H	24.8 CU. FT.
L2	ROLL-UP	59"W X 31 1/2"H X 26"D	56 1/4"W X 27"H	28.0 CU. FT.
L3	ROLL-UP	51 1/2"W X 66"H X 26"D	48 3/4"W X 56 1/2"H	51.1 CU. FT.
L4/L5	LIFT-UP	76"W X 13.5"H X 19"D	75"W X 9.5"H	11.3 CU. FT.

RIGHT SIDE COMPARTMENTATION				
COMPT	DOORS	INSIDE DIMENSIONS	DOOR OPENING DIMENSIONS	VOLUME
R1	ROLL-UP	25"W X 66"H X 26"D	22.5"W X 56 1/2"H	17.7 CU. FT.
R2	ROLL-UP	59"W X 31 1/2"H X 11"D	56 1/4"W X 27"H	11.8 CU. FT.
R3	ROLL-UP	51 1/2"W X 66"H X 26"D	48 3/4"W X 56 1/2"H	36.4 CU. FT.
L4/L5	LIFT-UP	76"W X 13.5"H X 19"D	75"W X 9.5"H	11.3 CU. FT.

REAR STEP COMPARTMENT				
COMPT	DOORS	INSIDE DIMENSIONS	DOOR OPENING DIMENSIONS	VOLUME
A1	ROLL-UP	39 1/2"W X 44"H X 31"D	36 3/4"W X 34 1/4"H	31.2 CU. FT.

11" DEEP, UPPER
11" DEEP, UPPER

BASE STORAGE: 201 CU. FT.
TOTAL STORAGE: 223.6 CU. FT.



DIMENSIONS SHOWN ON THIS DRAWING ARE APPROXIMATE AND ARE SUBJECT TO MINOR DEVIATIONS DURING CONSTRUCTION.

IN THE EVENT OF A DISCREPANCY BETWEEN THE SUTPHEN SPECIFICATIONS AND DRAWING, THE SUTPHEN SPECIFICATIONS SHALL PREVAIL.

DRAWING IS FOR REFERENCE ONLY. SOME ITEMS PROPOSED MAY NOT BE SHOWN OR NOTED.

CUSTOMER APPROVAL

NAME: _____

TITLE: _____

DATE: _____

E	REFERENCE SHOP ORDER REVISION EMAIL	TF	10/18/24
D	REFERENCE SHOP ORDER REVISION EMAIL	TF	10/16/24
C	REFERENCE SHOP ORDER REVISION EMAIL	TF	09/12/24
B	REFERENCE SHOP ORDER REVISION EMAIL	TF	05/15/24
REV.	DESCRIPTION	BY	DATE

DRAWN BY:
T.FAHOUM

DATE:
04/04/24

MFG. FACILITY:
URBANA STOCK PUMPER

SUTPHEN

SUTPHEN STOCK 575
URBANA, OH

PROGRAM 1 CUSTOM PUMPER

DWG. NO.: HS-8093

THIS PRINT IS PROVIDED ON A RESTRICTED BASIS AND IS NOT TO BE USED IN ANY WAY DETRIMENTAL TO THE INTEREST OF SUTPHEN CORPORATION.