

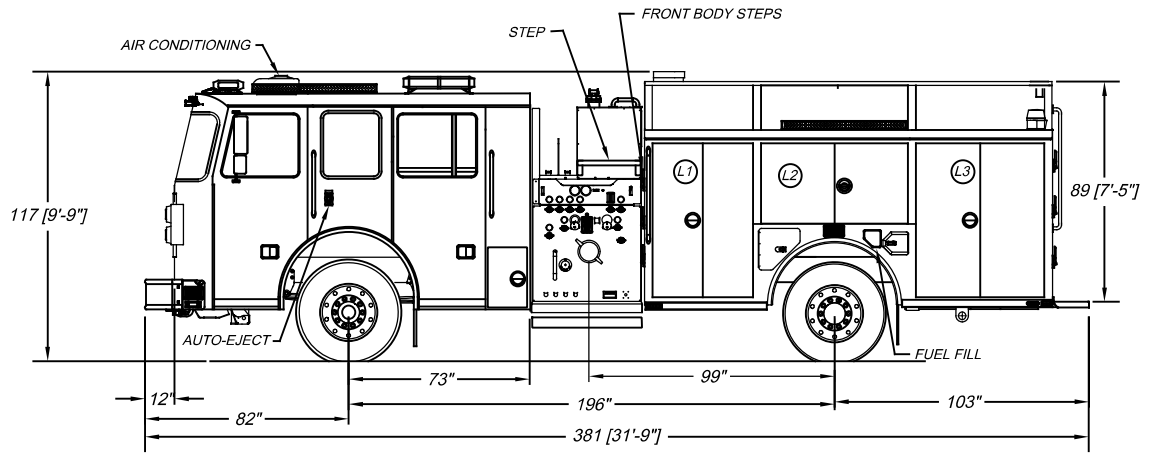
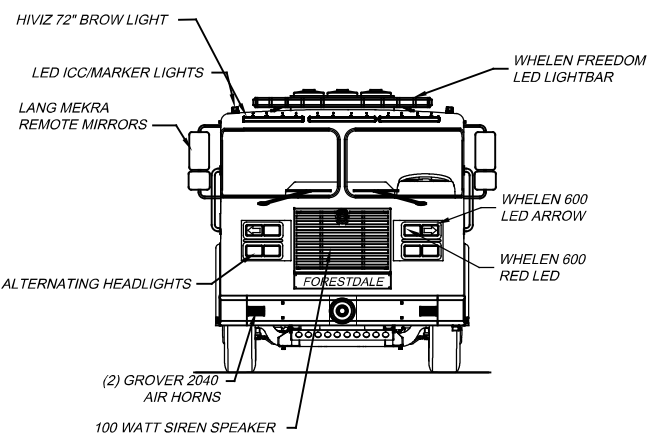
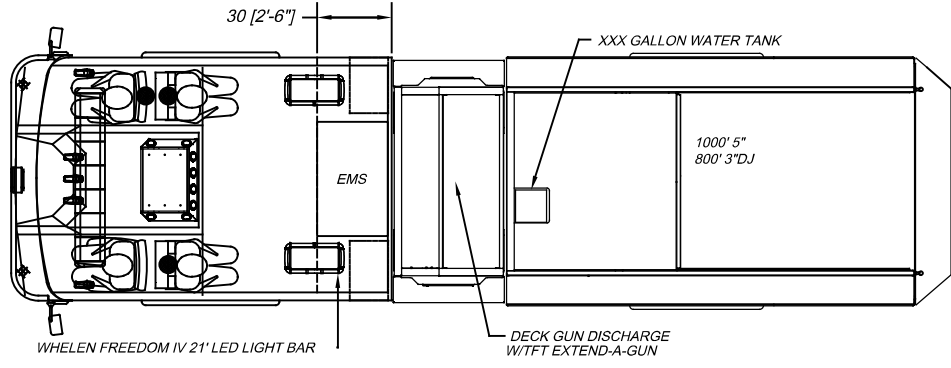
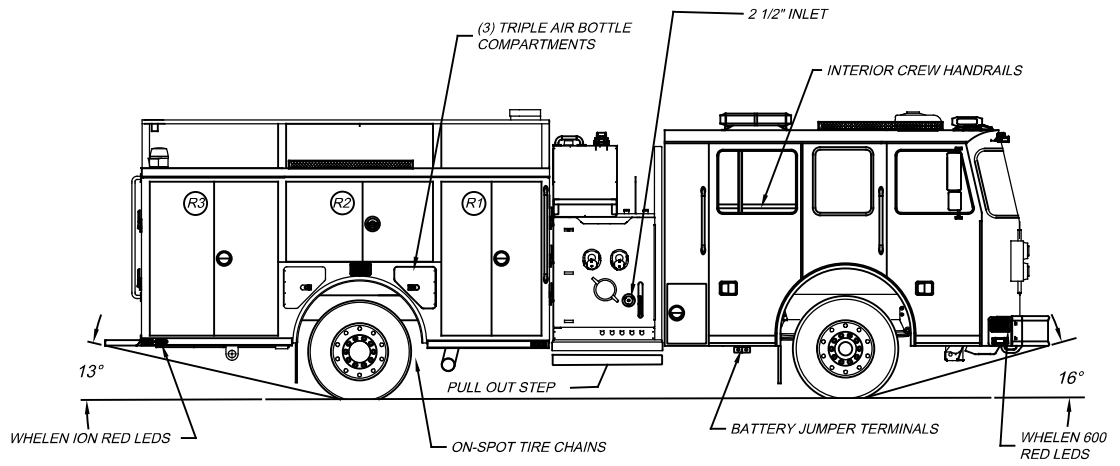
LEFT SIDE COMPARTMENTATION				
COMPT	DOORS	INSIDE DIMENSIONS	DOOR OPENING DIMENSIONS	VOLUME
L1	DOUBLE	40"W X 66"H X 26"D	37"W X 59 1/2"H	37.4 CU. FT.
L2	LIFT-UP	59"W X 31 1/2"H X 26"D	57"W X 29 3/4"H	28.4 CU. FT.
L3	DOUBLE	51 1/2"W X 66"H X 26"D	48 1/4"W X 58 1/2"H	47.4 CU. FT.

RIGHT SIDE COMPARTMENTATION				
COMPT	DOORS	INSIDE DIMENSIONS	DOOR OPENING DIMENSIONS	VOLUME
R1	DOUBLE	40"W X 66"H X 26"D	37"W X 59 1/2"H	28.5 CU. FT.
R2	LIFT-UP	59"W X 31 1/2"H X 11"D	57"W X 29 3/4"H	13.7 CU. FT.
R3	DOUBLE	51 1/2"W X 66"H X 26"D	48 1/4"W X 58 1/2"H	36 CU. FT.

REAR STEP COMPARTMENT				
COMPT	DOORS	INSIDE DIMENSIONS	DOOR OPENING DIMENSIONS	VOLUME
A1	ROLL-UP	39 1/2"W X 44"H X 31"D	36 3/4"W X 34 1/4"H	31.2 CU. FT.

BASE STORAGE: 222 CU. FT.

11" DEEP, UPPER
 11" DEEP, UPPER



DIMENSIONS SHOWN ON THIS DRAWING ARE APPROXIMATE AND ARE SUBJECT TO MINOR DEVIATIONS DURING CONSTRUCTION.
 IN THE EVENT OF A DISCREPANCY BETWEEN THE SUTPHEN SPECIFICATIONS AND DRAWING, THE SUTPHEN SPECIFICATIONS SHALL PREVAIL.
 DRAWING IS FOR REFERENCE ONLY. SOME ITEMS PROPOSED MAY NOT BE SHOWN OR NOTED.

CUSTOMER APPROVAL

NAME: _____
 TITLE: _____
 DATE: _____

REV	DESCRIPTION	BY	DATE
B	Q28 MOUNTING CHANGED TO FLUSH MOUNT	GG	1/20/2023
A	CLARIFICATIONS MADE FOLLOWING PRE-CON	GG	12/22/2022

DRAWN BY:
 G.GREEN
 DATE:
 6/28/22
 MFG. FACILITY:
 URBANA PUMPER DIVISION

FORESTDALE FIRE DISTRICT
 BIRMINGHAM, AL
 PROGRAM 1 CUSTOM PUMPER
 DWS. NO.: HS-7476