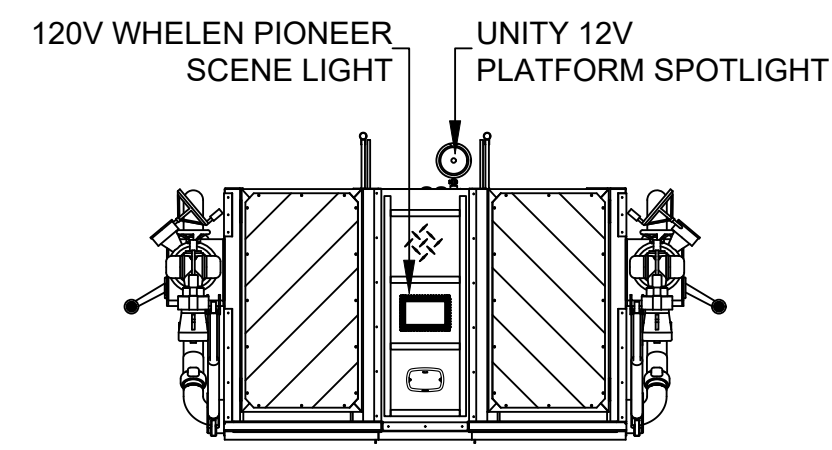
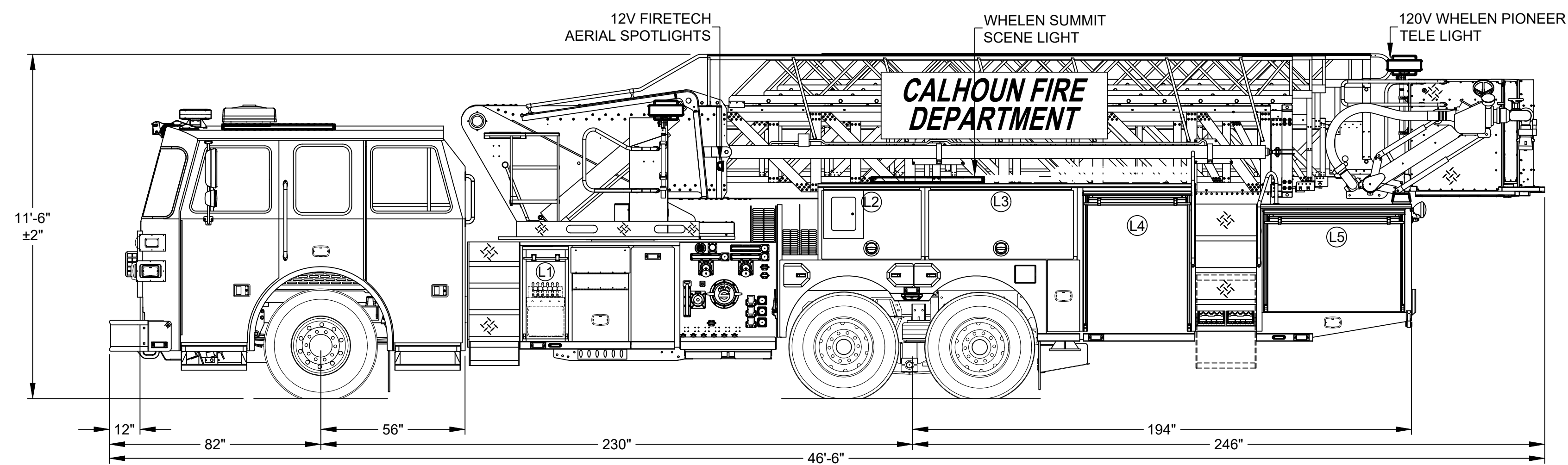
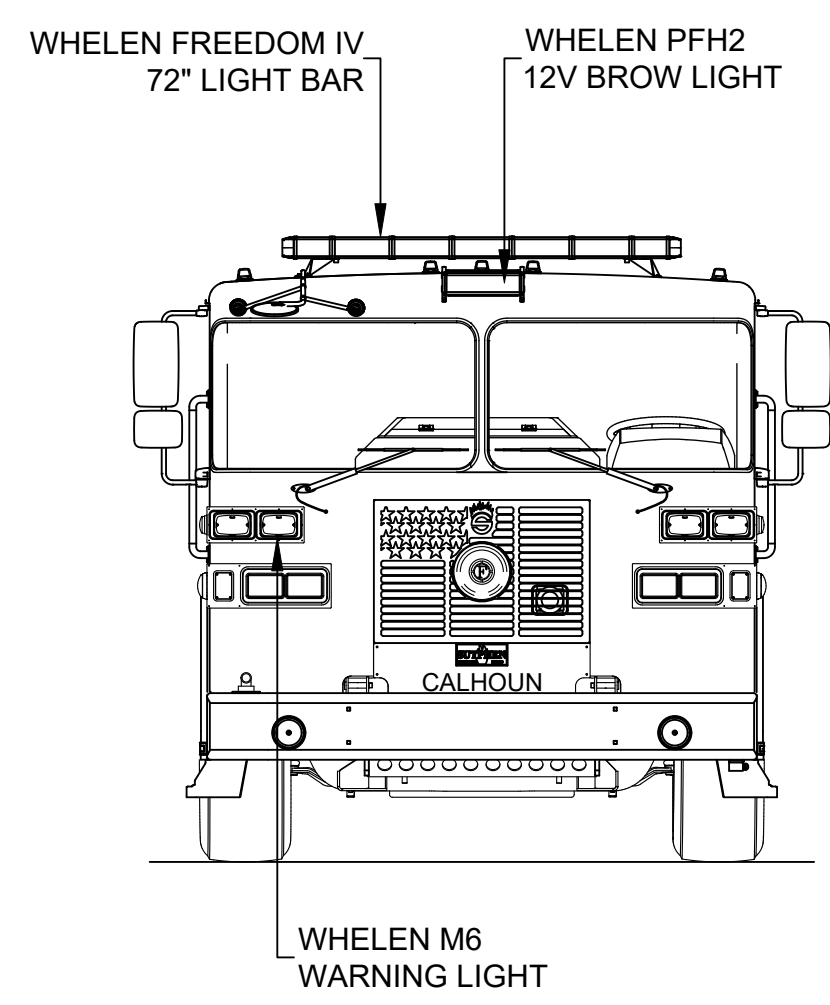
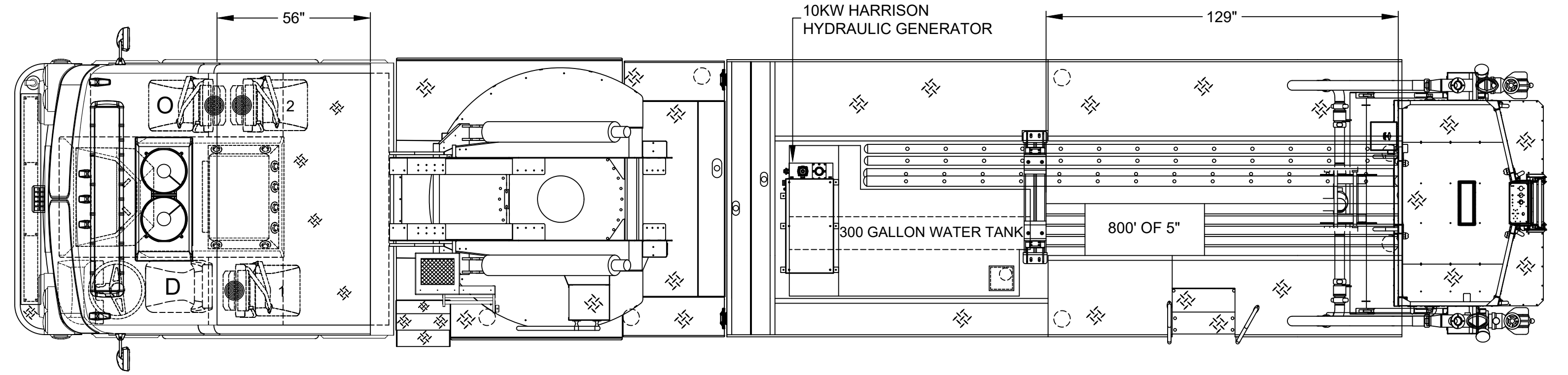


LADDER CHUTE  
 (1) 14' COMBO  
 (1) 28' 2-SEC  
 (2) 16' ROOF  
 (1) 35' 2-SEC



TWO TONE CAB  
 WHITE OVER RED  
 PAINT BREAK #1



DOOR OPENINGS			COMPARTMENT DIMENSIONS		
COMPT.	HEIGHT	WIDTH	HEIGHT	WIDTH	DEPTH
L1	34 1/16	13 7/16	38 1/2	20 5/16	27 1/2
L2	23	33 1/4	27 1/2	41 1/2	12 1/8
L3	23	50 1/4	27 1/2	58	12 1/8
L4	51 3/4	37 1/2	56 1/2	45 3/4	26 1/2
L5	43 3/4	15	48 1/2	22	26 1/2
L6	35 3/8	30 3/4	40 1/8	34 3/4	26 1/2

DOOR OPENINGS			COMPARTMENT DIMENSIONS		
COMPT.	HEIGHT	WIDTH	HEIGHT	WIDTH	DEPTH
R1	34 1/16	33 7/16	38 1/2	40	8 1/2 LOWER 10\"/>
R2	23	33 1/4	27 1/2	41 1/2	26 1/2
R3	23	50 1/4	27 1/2	58	26 1/2
R4	51 3/4	37 1/2	56 1/2	45 3/4	26 1/2
R5	51 3/4	37 1/2	56 1/2	45 3/4	26 1/2
R6	35 3/8	30 3/4	40 1/8	34 3/4	26 1/2

DOOR OPENINGS			COMPARTMENT DIMENSIONS		
COMPT.	HEIGHT	WIDTH	HEIGHT	WIDTH	DEPTH
A1	9 1/8	24 1/2	9 7/8	26	88

TOTAL COMPARTMENT VOLUME - 283.49 CU.FT.

DIMENSIONS SHOWN ON THIS DRAWING ARE APPROXIMATE AND ARE SUBJECT TO MINOR DEVIATIONS DURING CONSTRUCTION.

IN THE EVENT OF A DISCREPANCY BETWEEN THE SUTPHEN SPECIFICATIONS AND DRAWING, THE SUTPHEN SPECIFICATIONS SHALL PREVAIL.

DRAWING IS FOR REFERENCE ONLY. SOME ITEMS PROPOSED MAY NOT BE SHOWN OR NOTED.

**CUSTOMER APPROVAL**

NAME: \_\_\_\_\_

TITLE: \_\_\_\_\_

DATE: \_\_\_\_\_

REV.	DESCRIPTION	BY	DATE
C	REV-C SHOP ORDER		AM 12-02-24
B	REV-B SHOP ORDER		AM 09-23-24
A	REV-A SHOP ORDER		DH 11-16-23

THIS PRINT IS PROVIDED ON A RESTRICTED BASIS AND IS NOT TO BE USED IN ANY WAY DETRIMENTAL TO THE INTEREST OF SUTPHEN CORPORATION.

DRAWN BY:  
T.FAHOUM

DATE:  
12/28/2022

MFG. FACILITY:  
DUBLIN

**SUTPHEN**

CALHOUN FIRE DEPARTMENT  
CALHOUN, GA

SPH100 AERIAL PLATFORM  
HS-7744