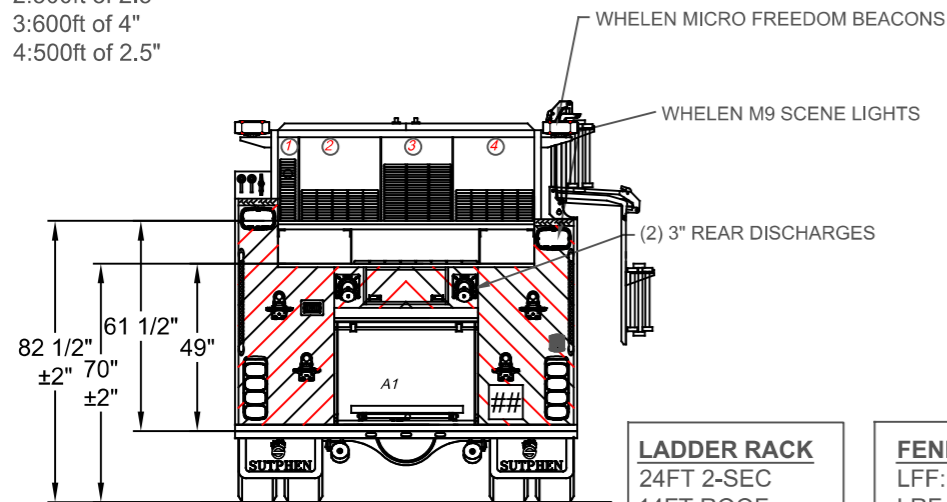


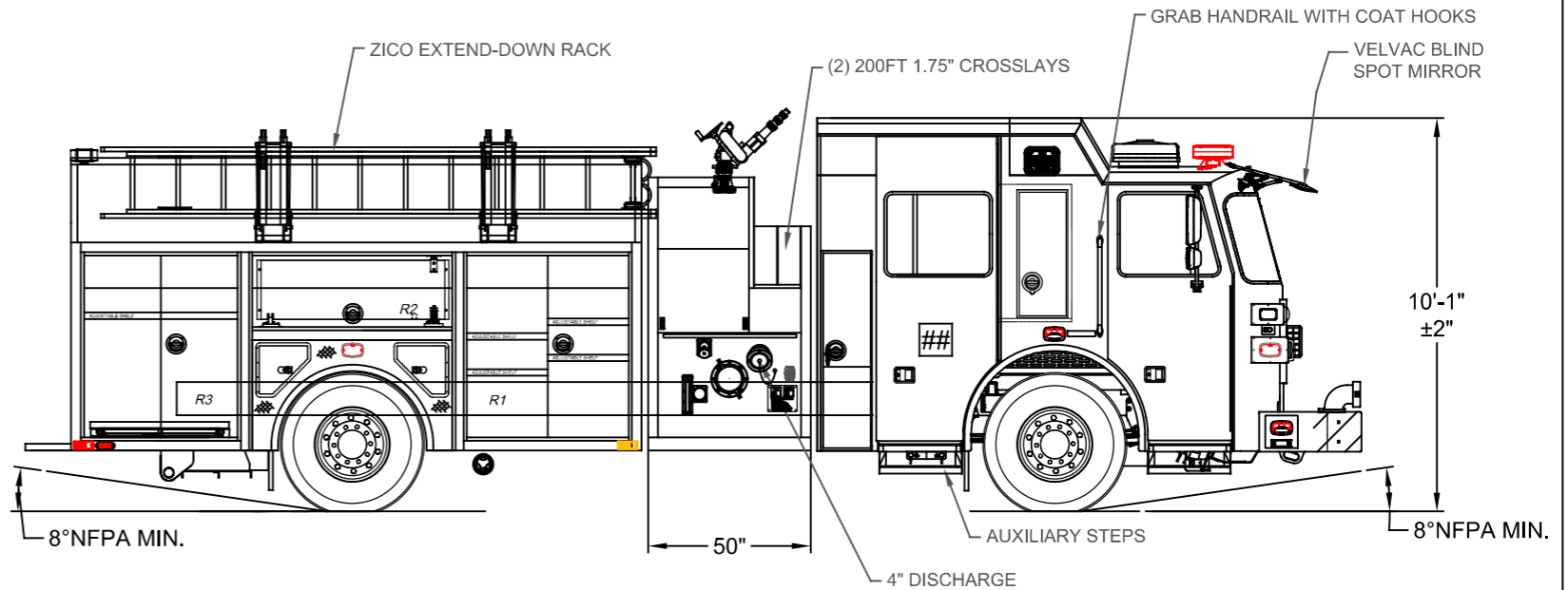
Hose Load

- 1:200ft of 2.5"
- 2:500ft of 2.5"
- 3:600ft of 4"
- 4:500ft of 2.5"



LADDER RACK
 24FT 2-SEC
 14FT ROOF
 10FT ATTIC

FENDER STORAGE
 LFF: TRIPLE SCBA
 LRF: SCBA/FUEL
 RFF: TRIPLE SCBA
 RRF: TRIPLE SCBA



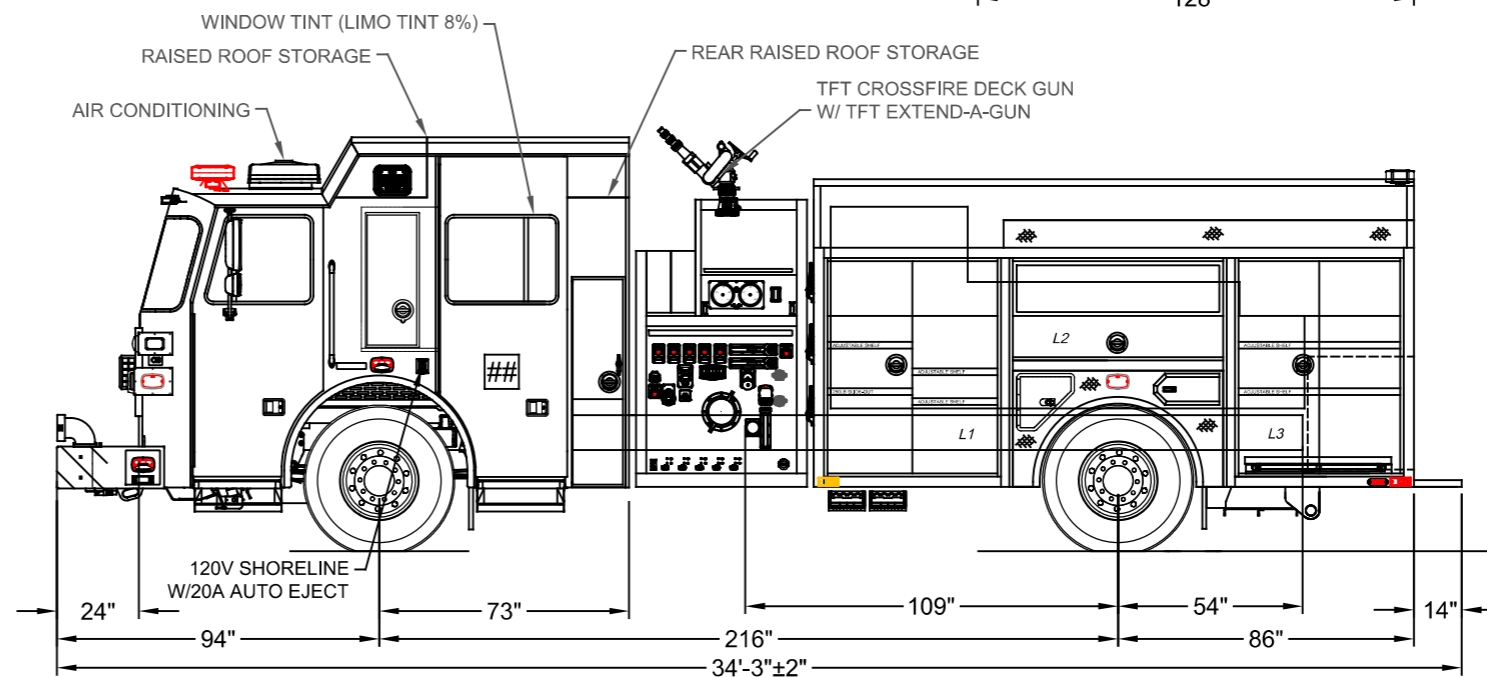
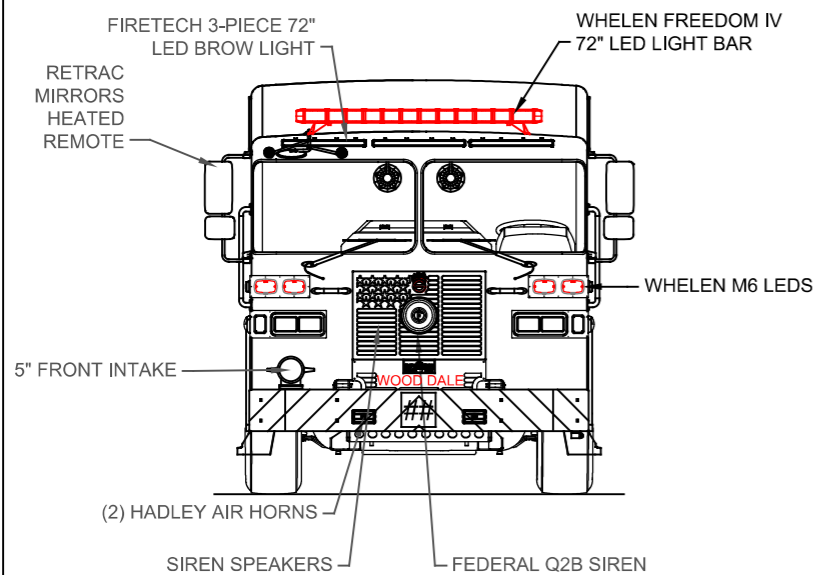
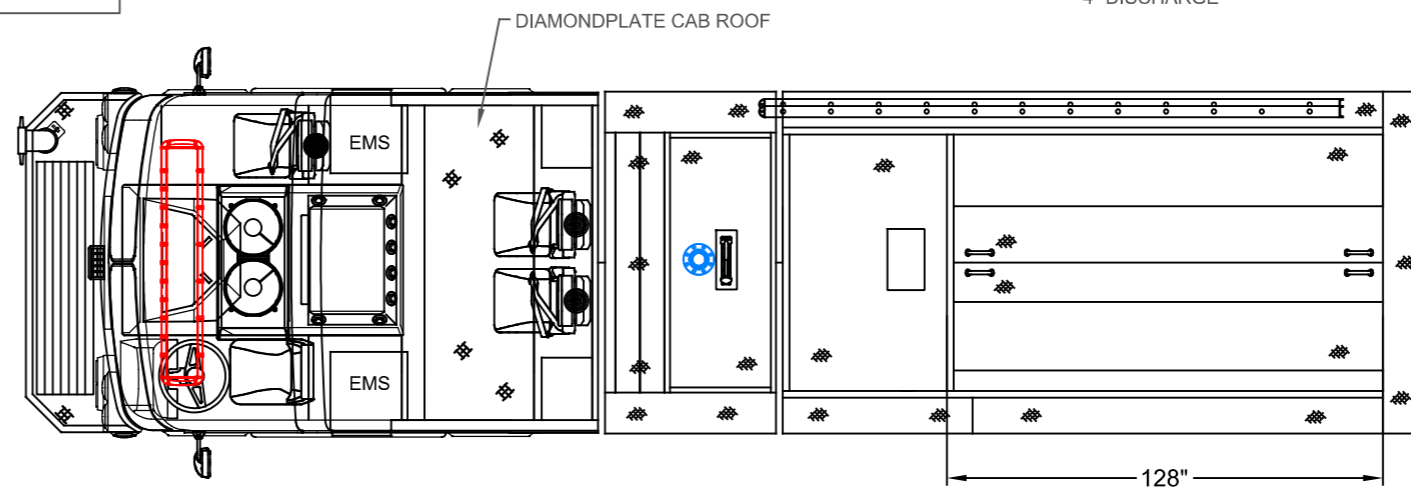
LEFT SIDE COMPARTMENTATION				
COMPT	DOORS	OPENING DIMENSIONS	INSIDE DIMENSIONS	VOLUME
L1	HINGED	49\"w X 60\"h	56\"w X 66\"h X 27 1/4\"/10 1/4\"d	49.3 CU. FT.
L2	HINGED	57\"w X 27\"h	64\"w X 32\"h X 27 1/4\"/10 1/4\"d	22.3 CU. FT.
L3	HINGED	47\"w X 60\"h	53 1/2\"w X 66\"h X 27 1/4\"/10 1/4\"d	47.1 CU. FT.

RIGHT SIDE COMPARTMENTATION				
COMPT	DOORS	OPENING DIMENSIONS	INSIDE DIMENSIONS	VOLUME
R1	HINGED	49\"w X 53\"h	56\"w X 60\"h X 27 1/4\"/10 1/4\"d	45.3 CU. FT.
R2	HINGED	57\"w X 21\"h	64\"w X 26\"h X 27 1/4\"/10 1/4\"d	17.7 CU. FT.
R3	HINGED	47\"w X 53\"h	53 1/2\"w X 60\"h X 27 1/4\"/10 1/4\"d	43.3 CU. FT.

REAR STEP COMPARTMENTS				
COMPT	DOORS	OPENING DIMENSIONS	INSIDE DIMENSIONS	VOLUME
A1	ROLL-UP	37\"w X 23\"h	42\"w X 33\"h X 30\"d	24.1 CU. FT.

TOTAL STORAGE: 248.9 CU.FT.

Waterous CSU 1500 Single Stage
Water Tank Capacity 750 gal



DIMENSIONS SHOWN ON THIS DRAWING ARE APPROXIMATE AND ARE SUBJECT TO MINOR DEVIATIONS DURING CONSTRUCTION.

IN THE EVENT OF A DISCREPANCY BETWEEN THE SUTPHEN SPECIFICATIONS AND DRAWING, THE SUTPHEN SPECIFICATIONS SHALL PREVAIL.

DRAWING IS FOR REFERENCE ONLY. SOME ITEMS PROPOSED MAY NOT BE SHOWN OR NOTED.

CUSTOMER APPROVAL

NAME: _____

TITLE: _____

DATE: _____

REV.	DESCRIPTION	BY	DATE
B	CHANGED CHEVRON TO RED/WHITE	JVG	08/22/2023
A	CHANGES FROM PRE-CON	JVG	01/13/2023

THIS PRINT IS PROVIDED ON A RESTRICTED BASIS AND IS NOT TO BE USED IN ANY WAY DETRIMENTAL TO THE INTEREST OF SUTPHEN CORPORATION.

DRAWN BY:
J. GORDON

DATE:
10/04/2022

MFG. FACILITY:
EAST

WOOD DALE FIRE DEPT.
WOOD DALE, IL

CUSTOM PUMPER - PA-05

DWG. NO.: HS-7729