

24' 2-SECTION
14' ROOF
10' FOLDING
STORAGE FOR (2)
PIKE POLES & (2)
10' SUCTION HOSES

PAINTED ROLL-UP DOORS

WHELEN M9 RED LEDS
WHELEN M9 SCENE LTS

(3) TRIPLE AIR BOTTLE
COMPARTMENTS

4\"/>

FRC SPECTRA TELESCOPIC LIGHTS
INTERIOR CREW HANDRAILS
RAISED ROOF STORAGE

13°
WHELEN ION RED LEDS

WHELEN 600 RED LEDS

BATTERY JUMPER TERMINALS

ALUMINUM WHEELS
MUD & SNOW TIRES

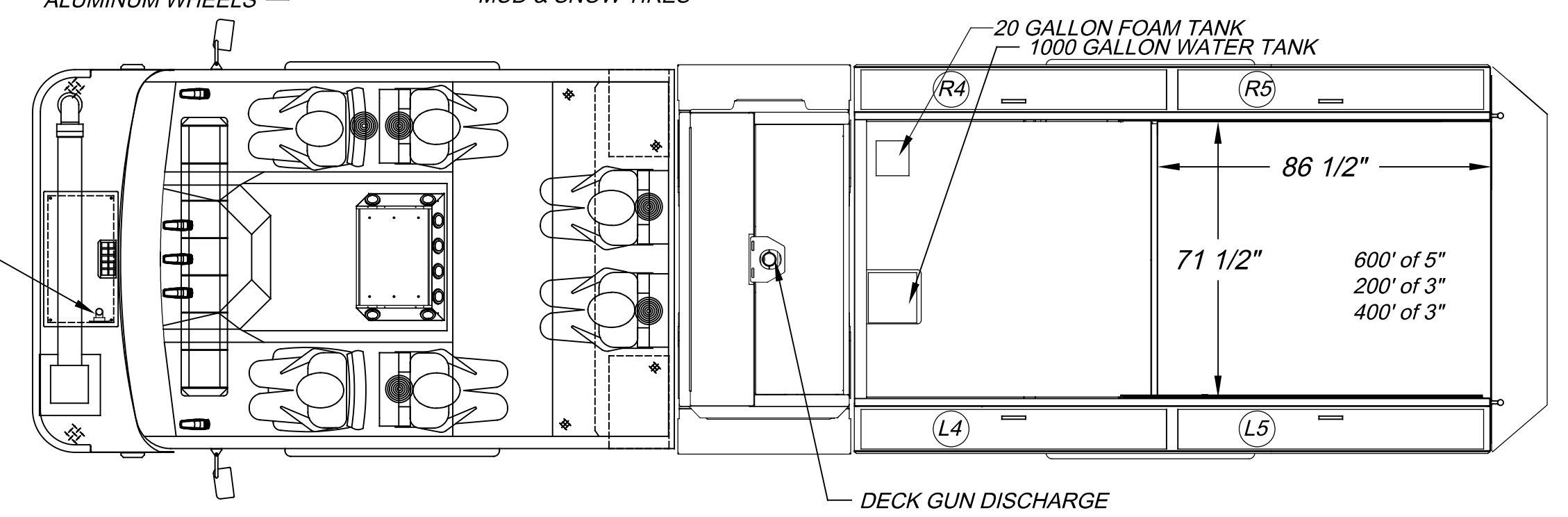
LEFT SIDE COMPARTMENTATION				
COMPT	DOORS	INSIDE DIMENSIONS	DOOR OPENING DIMENSIONS	VOLUME
L1	ROLL-UP	40"W X 66"H X 26"D	37 1/2"W X 56 1/2"H	37.4 CU. FT.
L2	ROLL-UP	59"W X 31 1/2"H X 26"D	56 1/4"W X 27"H	28.4 CU. FT.
L3	ROLL-UP	51 1/2"W X 66"H X 26"D	48 3/4"W X 56 1/2"H	47.4 CU. FT.
L4/L5	LIFT-UP	82"W X 13.5"H X 19"D	75"W X 9.5"H	24 CU. FT.

RIGHT SIDE COMPARTMENTATION				
COMPT	DOORS	INSIDE DIMENSIONS	DOOR OPENING DIMENSIONS	VOLUME
R1	ROLL-UP	40"W X 66"H X 26"D	37 1/2"W X 56 1/2"H	37.4 CU. FT.
R2	ROLL-UP	59"W X 31 1/2"H X 26"D	56 1/4"W X 27"H	28.4 CU. FT.
R3	ROLL-UP	51 1/2"W X 66"H X 26"D	48 3/4"W X 56 1/2"H	47.4 CU. FT.
L4/L5	LIFT-UP	82"W X 13.5"H X 19"D	75"W X 9.5"H	24 CU. FT.

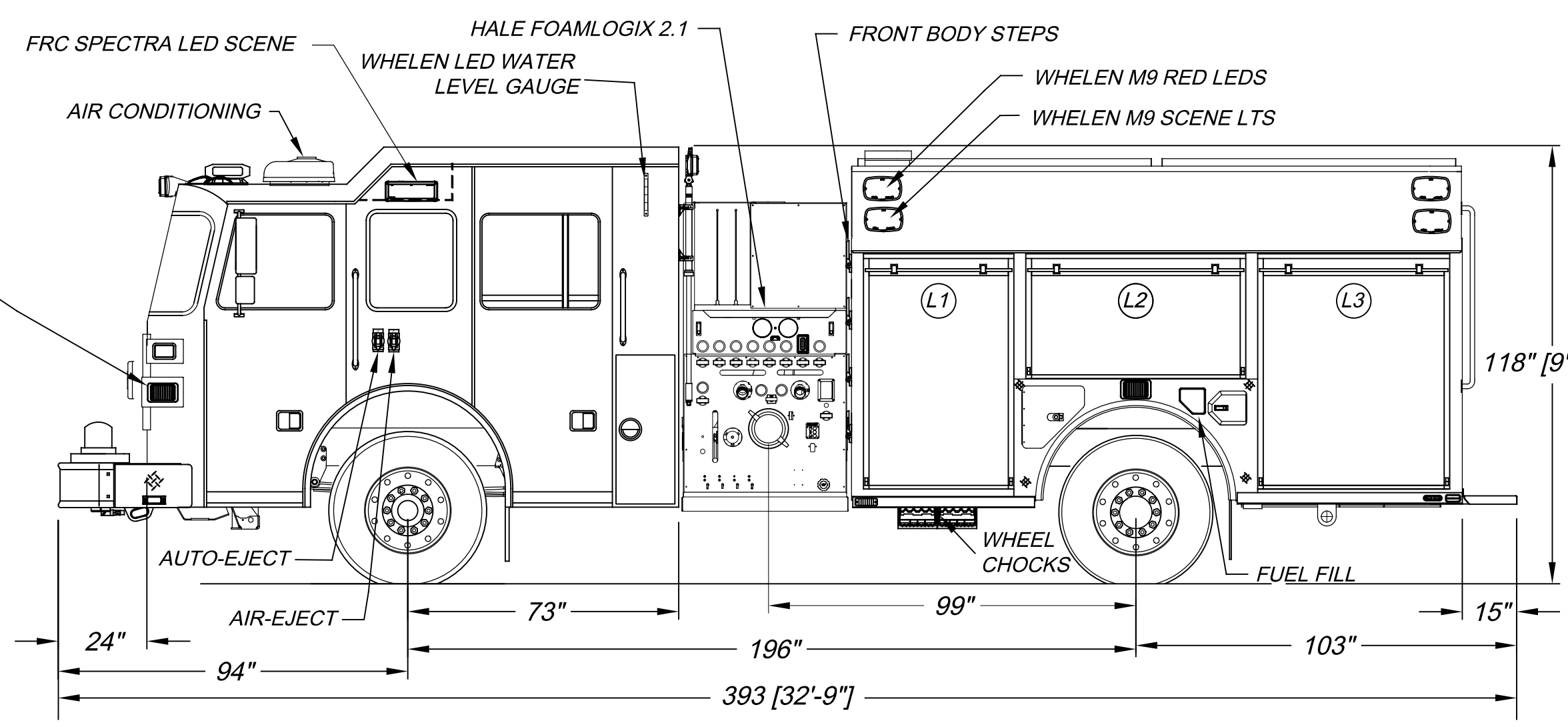
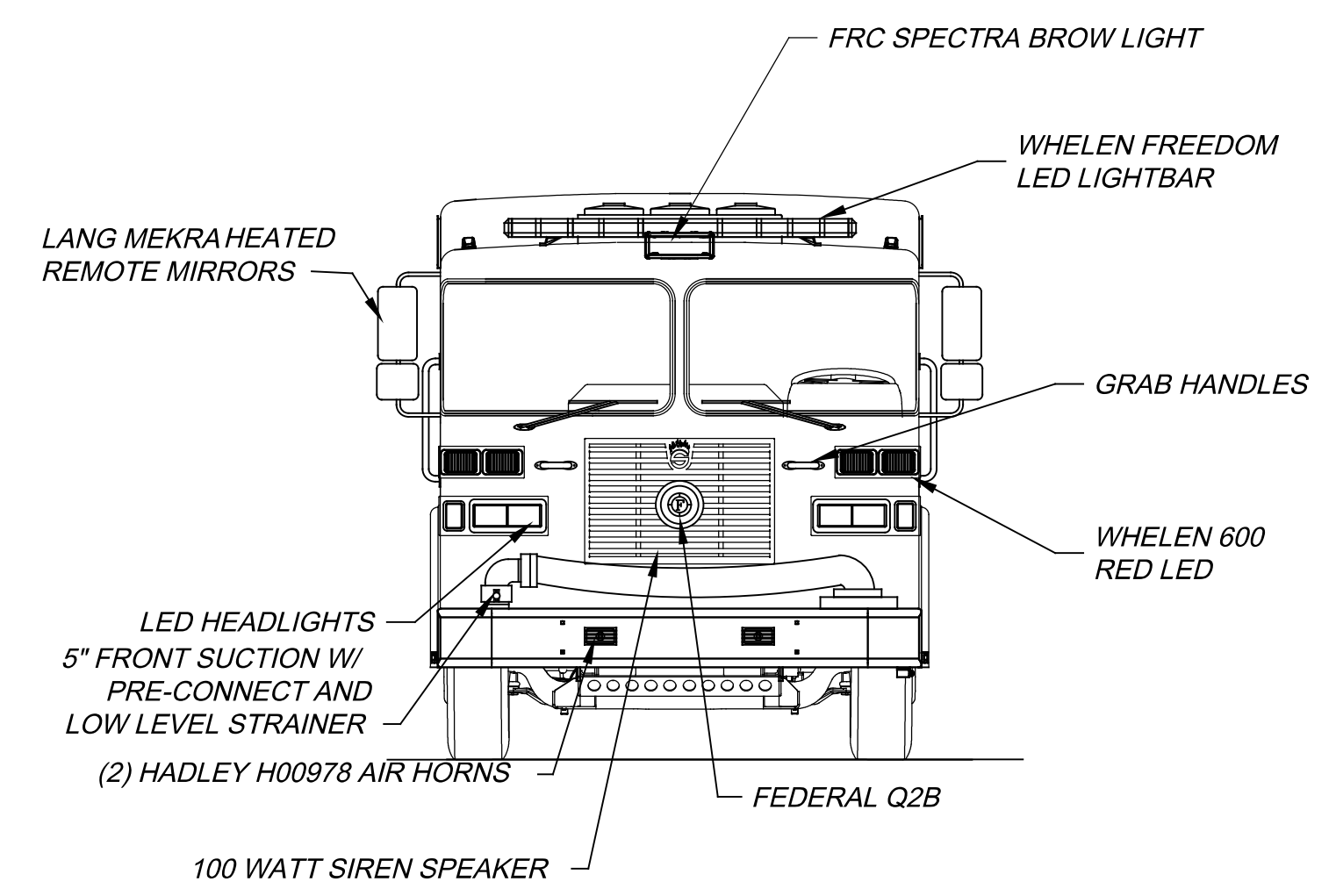
REAR STEP COMPARTMENT				
COMPT	DOORS	INSIDE DIMENSIONS	DOOR OPENING DIMENSIONS	VOLUME
A1	HINGED	39 1/2"W X 28"H X 29"D	35 1/2"W X 26"H	19.8 CU. FT.

BASE STORAGE: 246 CU. FT.
TOTAL STORAGE: 294 CU. FT.

1.5" FRONT BUMPER DISCHARGE



DECK GUN DISCHARGE



DIMENSIONS SHOWN ON THIS DRAWING ARE APPROXIMATE AND ARE SUBJECT TO MINOR DEVIATIONS DURING CONSTRUCTION.

IN THE EVENT OF A DISCREPANCY BETWEEN THE SUTPHEN SPECIFICATIONS AND DRAWING, THE SUTPHEN SPECIFICATIONS SHALL PREVAIL.

DRAWING IS FOR REFERENCE ONLY. SOME ITEMS PROPOSED MAY NOT BE SHOWN OR NOTED.

CUSTOMER APPROVAL	
NAME:	
TITLE:	
DATE:	

REV.	DESCRIPTION	BY	DATE
C	UPDATED A1 DOOR STYLE AND DIM.	R.C.	5/23/2024
B	ADD #3 DISCHARGE CALL OUT	R.C.	2/13/2024
A	UPDATED TO SHOP ORDER REV A	R.C.	12/19/2022

DRAWN BY:
R.CAMPBELL

DATE:
8/19/2022

MFG. FACILITY:
URBANA PUMPER DIVISION

SUTPHEN

OTTOVILLE FIRE DEPARTMENT
OTTOVILLE, OH

PROGRAM 1 CUSTOM PUMPER
HS-7459

THIS PRINT IS PROVIDED ON A RESTRICTED BASIS AND IS NOT TO BE USED IN ANY WAY DETRIMENTAL TO THE INTEREST OF SUTPHEN CORPORATION.