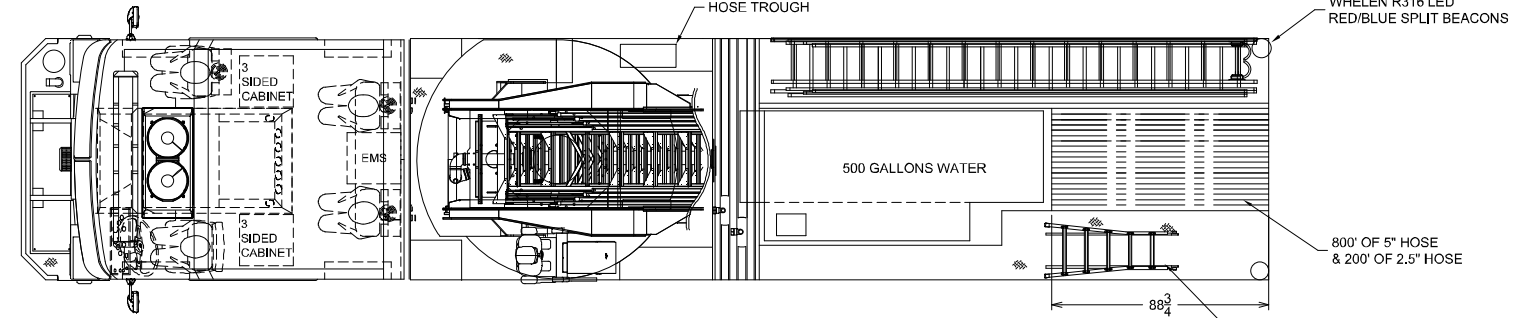
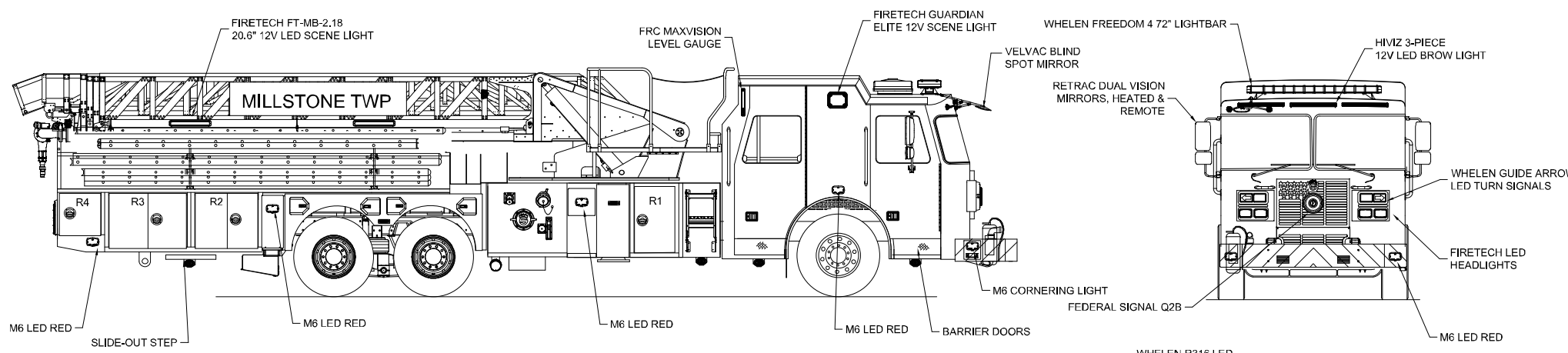
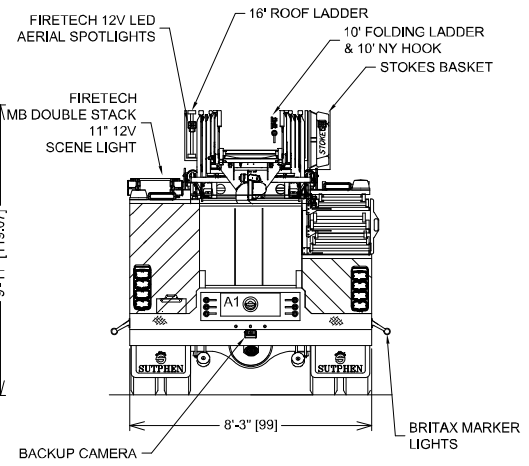
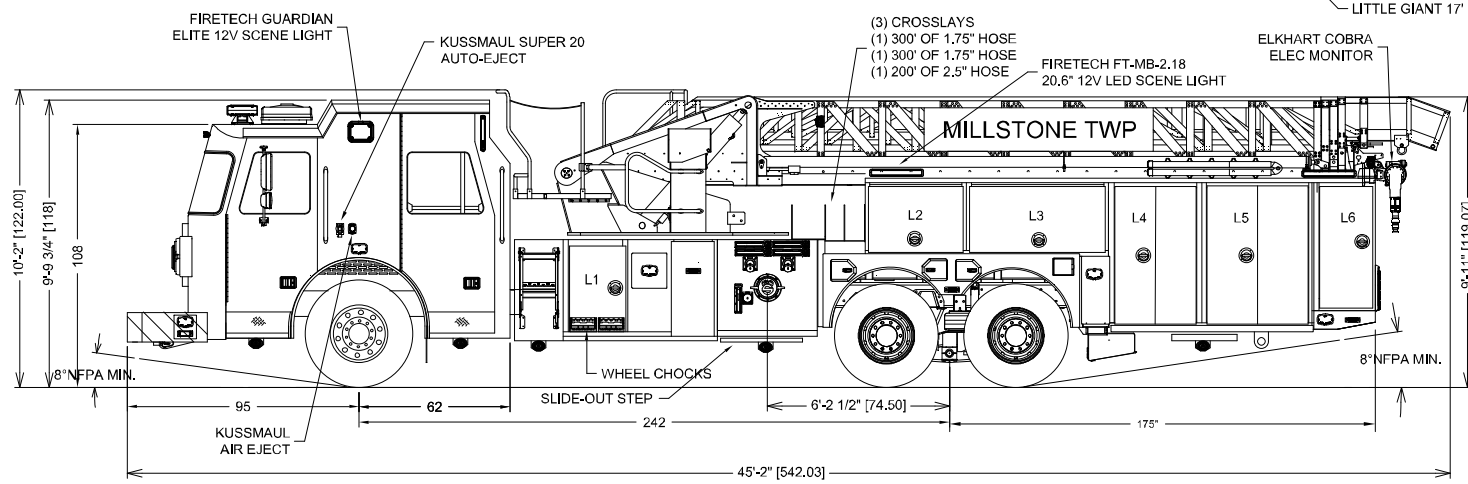


COMPT	DOORS	OPENING DIMENSIONS	INSIDE DIMENSIONS	VOLUME
L1	ROLL-UP	-	WHEEL CHOCKS AND HYDRAULICS	N/A
L2	HINGED	33.00"W x 24.00"H	41.49"W x 28.49"H x 12"D	8.20 CU. FT.
L3	HINGED	53.00"W x 24.00"H	57.99"W x 28.49"H x 12"D	11.47 CU. FT.
L4	HINGED	31.14"W x 43.00"H	37.81"W x 52.50"H x 25.50"D	30.32 CU. FT.
L5	HINGED	38.16"W x 43.00"H	45.66"W x 52.50"H x 25.50"D	33.73 CU. FT.
L6	HINGED	16.27"W x 43.00"H	22.77"W x 47.81"H x 25.50"D	15.69 CU. FT.

COMPT	DOORS	OPENING DIMENSIONS	INSIDE DIMENSIONS	VOLUME
R1 UPPER	HINGED	19.25"W x 32.75"H	26.25"W x 26.50"H x 18.50"D	7.44 CU. FT.
R1 LOWER	-	-	26.25"W x 9.75"H x 6.90"D	1.85 CU. FT.
R2	HINGED	28.40"W x 24.77"H	37.84"W x 29.00"H x 25.50"D	16.82 CU. FT.
R3	HINGED	37.17"W x 24.77"H	45.87"W x 29.00"H x 25.50"D	20.31 CU. FT.
R4	HINGED	14.37"W x 20.89"H	22.87"W x 24.33"H x 25.50"D	8.93 CU. FT.
A1	HINGED	25.00"W x 9.50"H	25.00"W x 9.35"H x 68.00"D	11.9 CU. FT.
TOTAL VOLUME				182.68 CU. FT.



- DUO SAFETY LADDER COMPLIMENT**
- 10' FOLDING (AERIAL FLY SECTION)
  - 10' FOLDING (COMPT TOPS)
  - 16' DOUBLE HOOK ROOF (LADDER RACK)
  - 16' DOUBLE HOOK ROOF (AERIAL BASE SECTION)
  - 24' 2-SECTION (LADDER RACK)
  - 28' 2-SECTION (LADDER RACK)
  - 35' 3-SECTION (LADDER RACK)



DIMENSIONS SHOWN ON THIS DRAWING ARE APPROXIMATE AND ARE SUBJECT TO MINOR DEVIATIONS DURING CONSTRUCTION.

IN THE EVENT OF A DISCREPANCY BETWEEN THE SUTPHEN SPECIFICATIONS AND DRAWING, THE SUTPHEN SPECIFICATIONS SHALL PREVAIL.

DRAWING IS FOR REFERENCE ONLY. SOME ITEMS PROPOSED MAY NOT BE SHOWN OR NOTED.

**CUSTOMER APPROVAL**

NAME: \_\_\_\_\_

TITLE: \_\_\_\_\_

DATE: \_\_\_\_\_

REV.	DESCRIPTION	BY	DATE
G	REVISED TO MATCH CURRENT SHOP ORDER	CAM	5/23/2024

DRAWN BY: APF

DATE: 2/12/2022

MPS FACILITY: HILLIARD

**SUTPHEN**

MILLSTONE TWP. FIRE DIST. #1  
MILLSTONE, NJ

SL100  
HS-7835