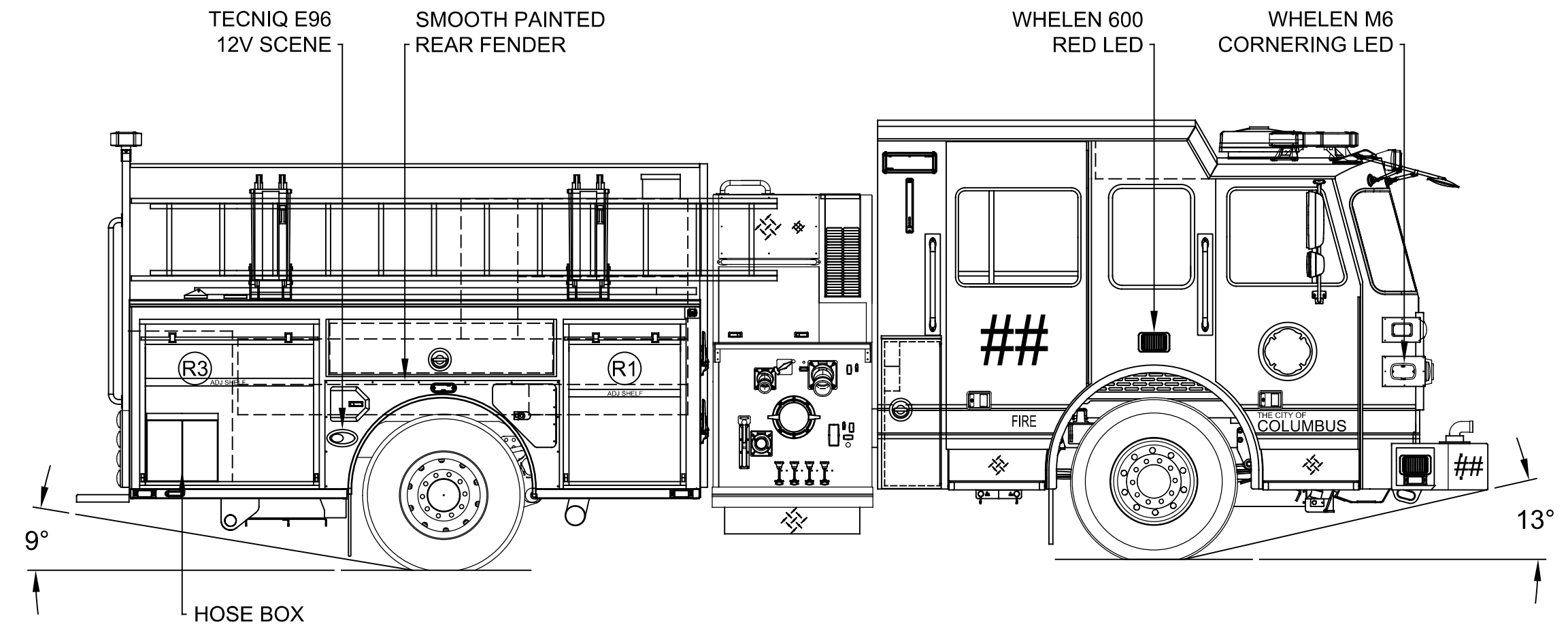


HOSE BED
 250' OF 1.75"
 250' OF 1.75"
 1000' OF 5"
 500' OF 3"
 250' OF 2.5"
 250' OF 2.5"

LADDER RACK
 (1) 24' 2-SECT
 (1) 14' ROOF
 (1) 10' FOLDING

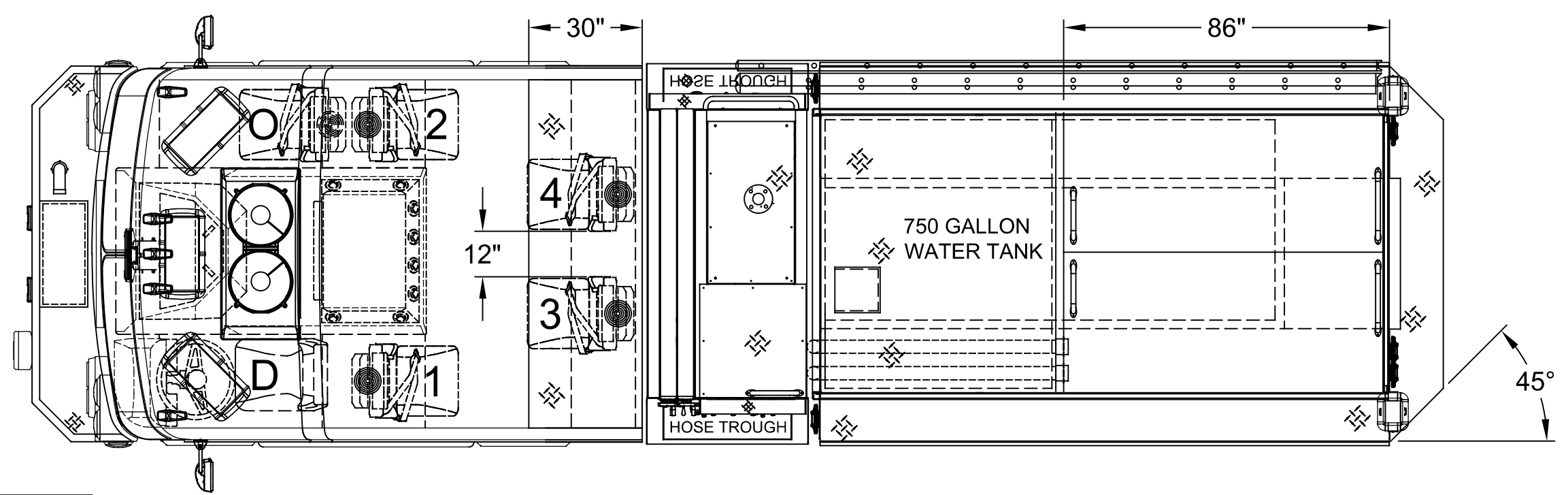


LEFT SIDE COMPARTMENTS				
COMPT	DOORS	OPENING DIMENSIONS	INSIDE DIMENSIONS	VOLUME
L1	ROLL-UP	30.5" w X 55.4" h	36.1" w X 66" h X 27.3" d	35.5 CU. FT.
L2	ROLL-UP	57.5" w X 26.2" h	61.6" w X 36.8" h X 12.5" d	13.8 CU. FT.
L3	ROLL-UP	45.5" w X 55.4" h	48.4" w X 66" h X 27.3" d	38.2 CU. FT.
P1	LIFT UP	44" w X 56" h	23" w X 15.75" h X 30" d	6.3 CU. FT.

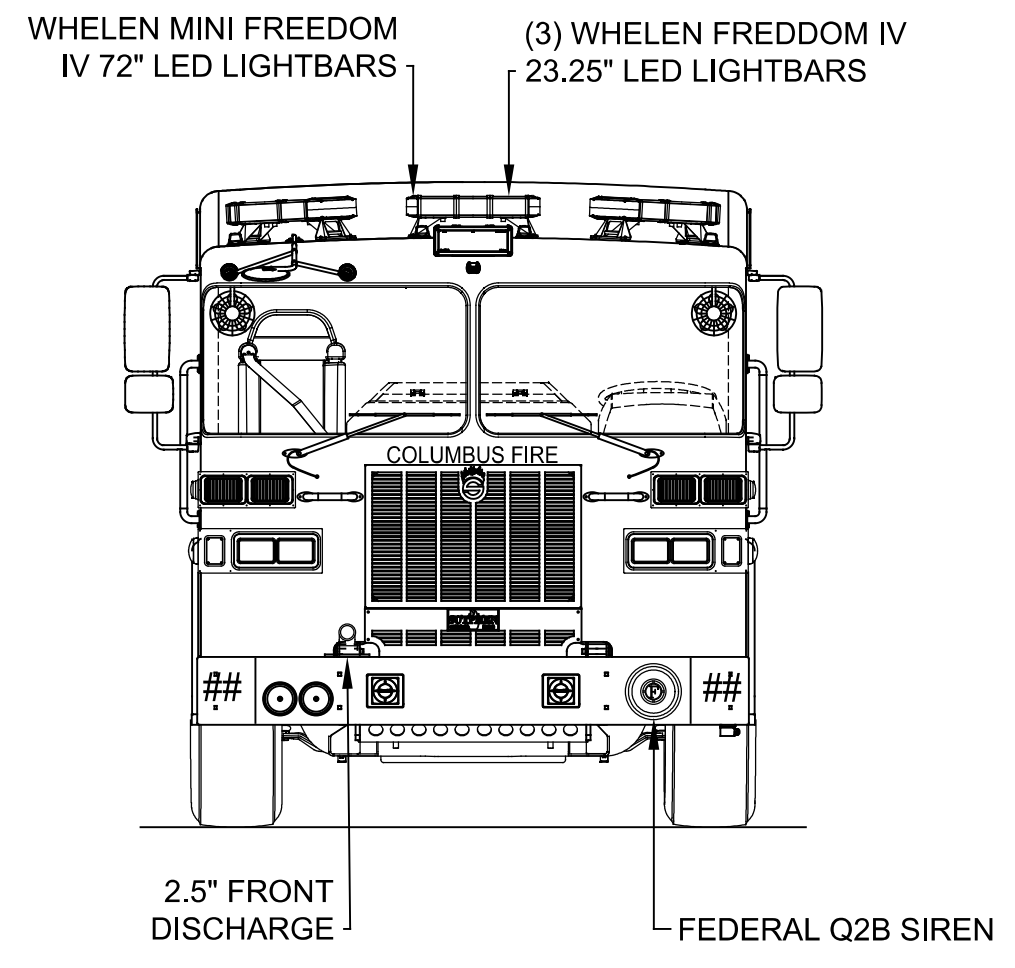
RIGHT SIDE COMPARTMENTS				
COMPT	DOORS	OPENING DIMENSIONS	INSIDE DIMENSIONS	VOLUME
R1	ROLL-UP	30.5" w X 39.9" h	36.1" w X 47.3" h X 27.3" d	27.0 CU. FT.
R2	HINGED	57.5" w X 15.7" h	61.6" w X 20.3" h X 12.5" d	8.8 CU. FT.
R3	ROLL-UP	50.5" w X 36.9" h	48.4" w X 47.3" h X 27.3" d	28.4 CU. FT.

REAR STEP COMPARTMENT				
COMPT	DOORS	OPENING DIMENSIONS	INSIDE DIMENSIONS	VOLUME
A1	ROLL-UP	37.5" w X 30.8" h	40" h X 40" w X 26" d	24.1 CU. FT.

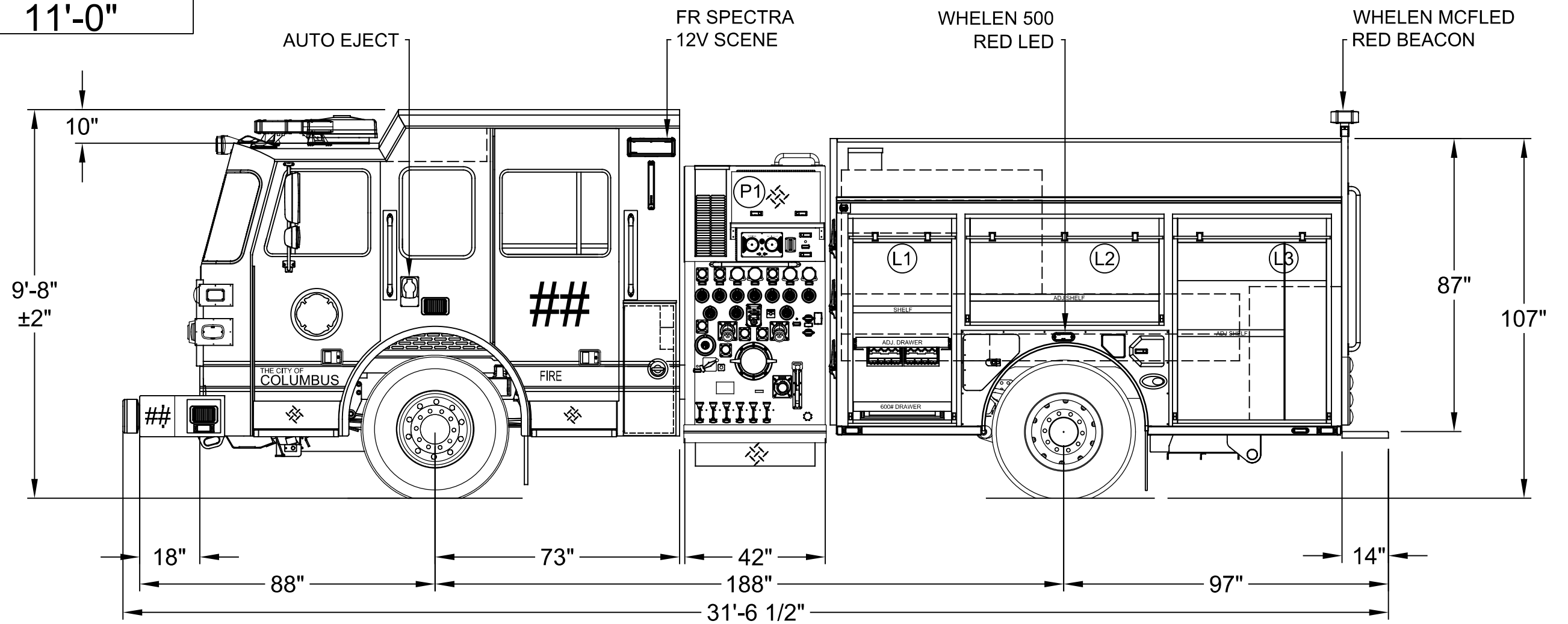
TOTAL: 180.0 CU.FT.



MAX HEIGHT
 11'-0"



SINGLE TONE RED



DIMENSIONS SHOWN ON THIS DRAWING ARE APPROXIMATE AND ARE SUBJECT TO MINOR DEVIATIONS DURING CONSTRUCTION.

IN THE EVENT OF A DISCREPANCY BETWEEN THE SUTPHEN SPECIFICATIONS AND DRAWING, THE SUTPHEN SPECIFICATIONS SHALL PREVAIL.

DRAWING IS FOR REFERENCE ONLY. SOME ITEMS PROPOSED MAY NOT BE SHOWN OR NOTED.

CUSTOMER APPROVAL

NAME: _____

TITLE: _____

DATE: _____

P	REFERENCE SHOP ORDER REVISION EMAIL	TF	12/27/24
O	REFERENCE SHOP ORDER REVISION EMAIL	TF	10/18/24
N	REFERENCE SHOP ORDER REVISION EMAIL	TF	09/25/24
M	REFERENCE SHOP ORDER REVISION EMAIL	TF	09/03/24
REV.	DESCRIPTION	BY	DATE

THIS PRINT IS PROVIDED ON A RESTRICTED BASIS AND IS NOT TO BE USED IN ANY WAY DETRIMENTAL TO THE INTEREST OF SUTPHEN CORPORATION.

DRAWN BY:
T.FAHOUM

DATE:
01/26/22

MFG. FACILITY:
URBANA

SUTPHEN

CITY OF COLUMBUS DIVISION OF FIRE
 COLUMBUS, OH

CUSTOM PUMPER - PA08 BODY

DWG. NO.: HS-7757-58