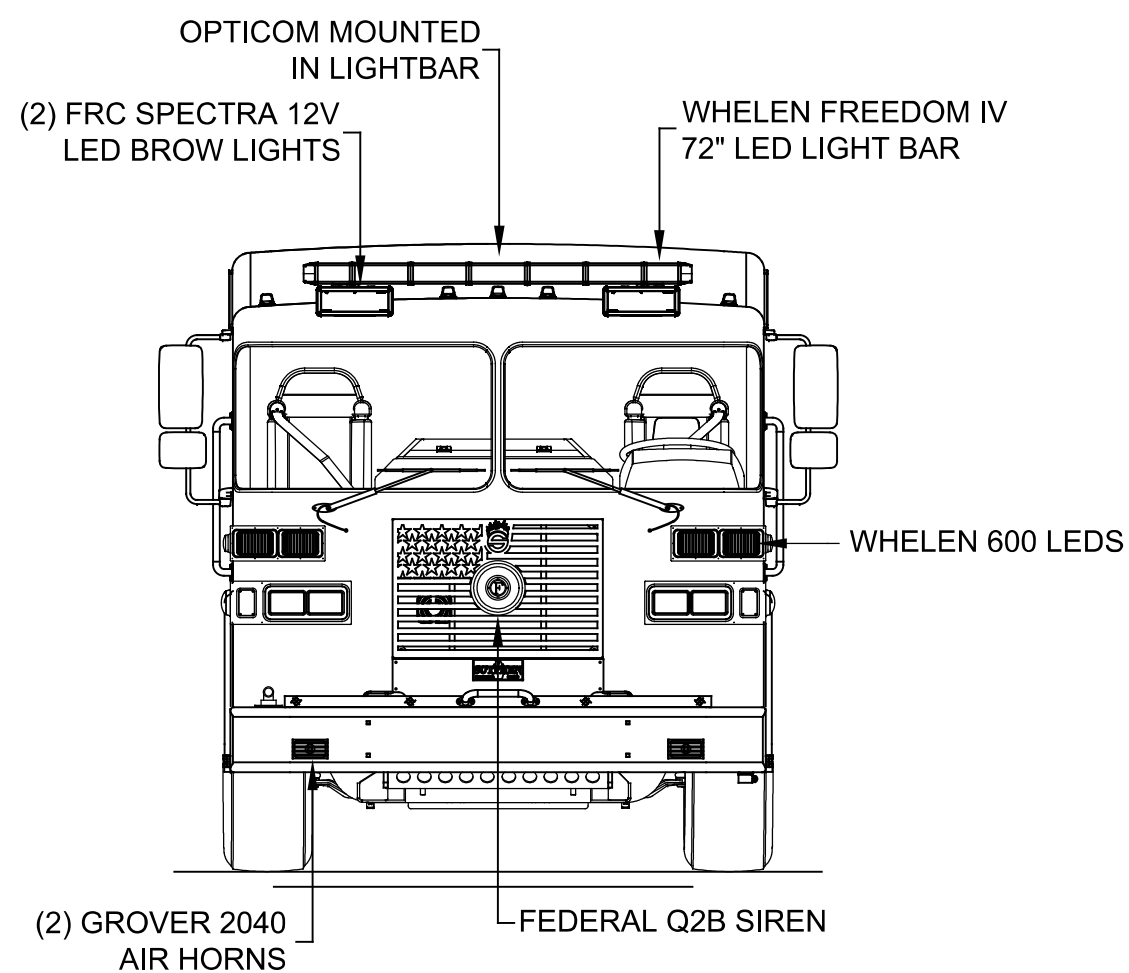
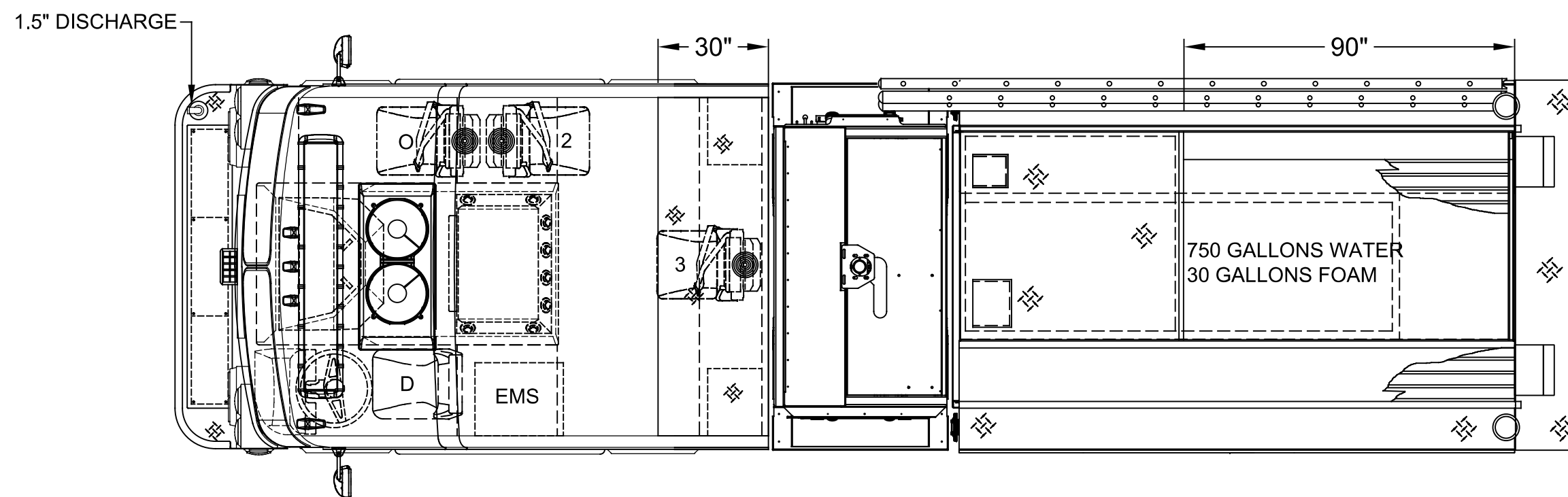


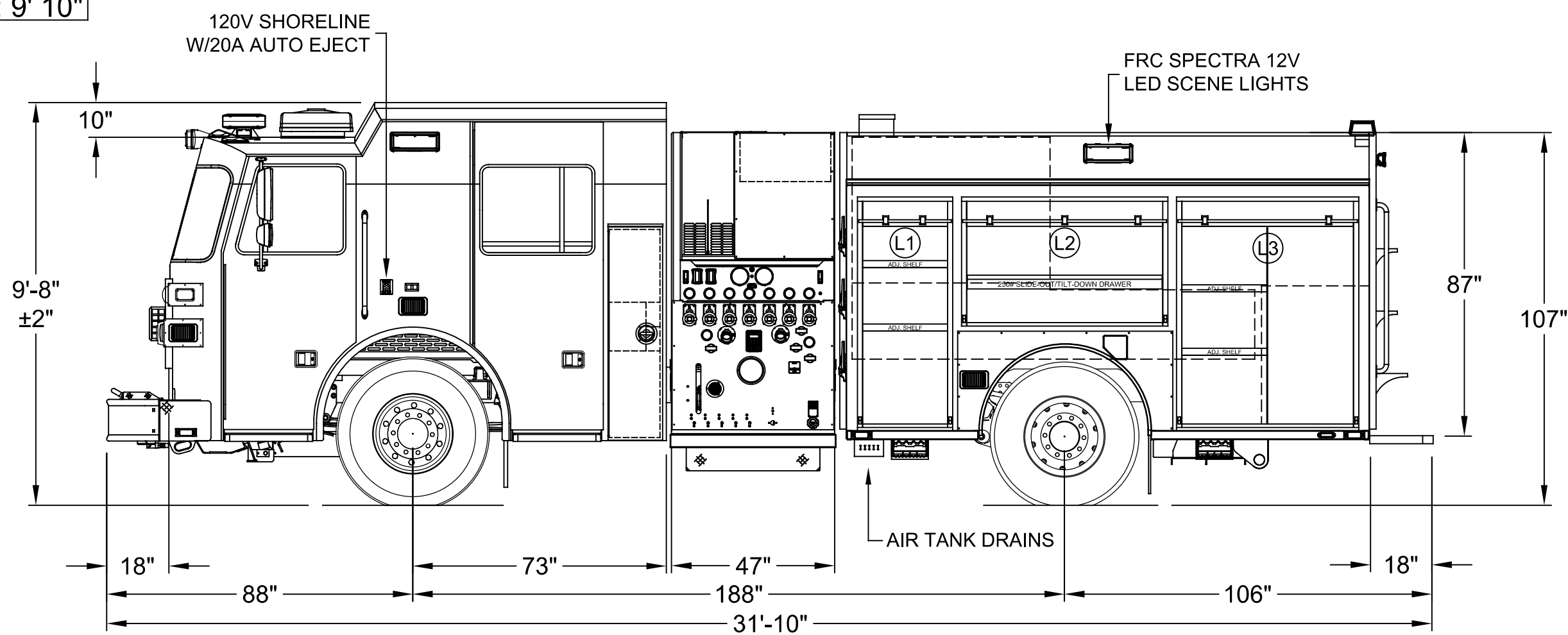
LEFT SIDE COMPARTMENTS				
COMPT	DOORS	OPENING DIMENSIONS	INSIDE DIMENSIONS	VOLUME
L1	ROLL-UP	25.5" w X 59.4" h	31.1" w X 70" h X 27.3" d	34.4 CU. FT.
L2	ROLL-UP	57.5" w X 30.2" h	61.6" w X 40.8" h X 27.3" d	39.7 CU. FT.
L3	ROLL-UP	50.5" w X 59.4" h	53.4" w X 70" h X 27.3" d	59.1 CU. FT.

RIGHT SIDE COMPARTMENTS				
COMPT	DOORS	OPENING DIMENSIONS	INSIDE DIMENSIONS	VOLUME
R1	ROLL-UP	25.5" w X 29.4" h	31.1" w X 40" h X 27.3" d	19.7 CU. FT.
R2	DROP DOWN	57.0" w X 7.3" h	59" w X 8.5" h X 28.5" d	8.3 CU. FT.
R3	ROLL-UP	50.5" w X 29.4" h	53.4" w X 40" h X 27.3" d	33.7 CU. FT.

REAR STEP COMPARTMENT				
COMPT	DOORS	OPENING DIMENSIONS	INSIDE DIMENSIONS	VOLUME
A1	ROLL-UP	37.5" w X 30.8" h	40" w X 40" h X 31" d	28.7 CU. FT.
TOTAL:				223.5 CU. FT.



MAX HEIGHT: 9' 10"



DIMENSIONS SHOWN ON THIS DRAWING ARE APPROXIMATE AND ARE SUBJECT TO MINOR DEVIATIONS DURING CONSTRUCTION.

IN THE EVENT OF A DISCREPANCY BETWEEN THE SUTPHEN SPECIFICATIONS AND DRAWING, THE SUTPHEN SPECIFICATIONS SHALL PREVAIL.

DRAWING IS FOR REFERENCE ONLY. SOME ITEMS PROPOSED MAY NOT BE SHOWN OR NOTED.

CUSTOMER APPROVAL

NAME: _____

TITLE: _____

DATE: _____

M	REFERENCE SHOP ORDER REVISION EMAIL	ML	10/22/24	DATE:	03/10/22
L	REFERENCE SHOP ORDER REVISION EMAIL	ML	10/11/24	DRAWN BY:	K.GOON
K	REFERENCE SHOP ORDER REVISION EMAIL	ML	09/30/24		
J	**REV-J** SHOP ORDER	TF	08/26/24		
REV.	DESCRIPTION	BY	DATE	MFG. FACILITY:	DUBLIN
THIS PRINT IS PROVIDED ON A RESTRICTED BASIS AND IS NOT TO BE USED IN ANY WAY DETRIMENTAL TO THE INTEREST OF SUTPHEN CORPORATION.					

MFG. FACILITY:
DUBLIN

SUTPHEN

SPRINGFIELD FIRE DEPARTMENT
SPRINGFIELD, OH

CUSTOM PUMPER - S1

DWG. NO.: HS-7500