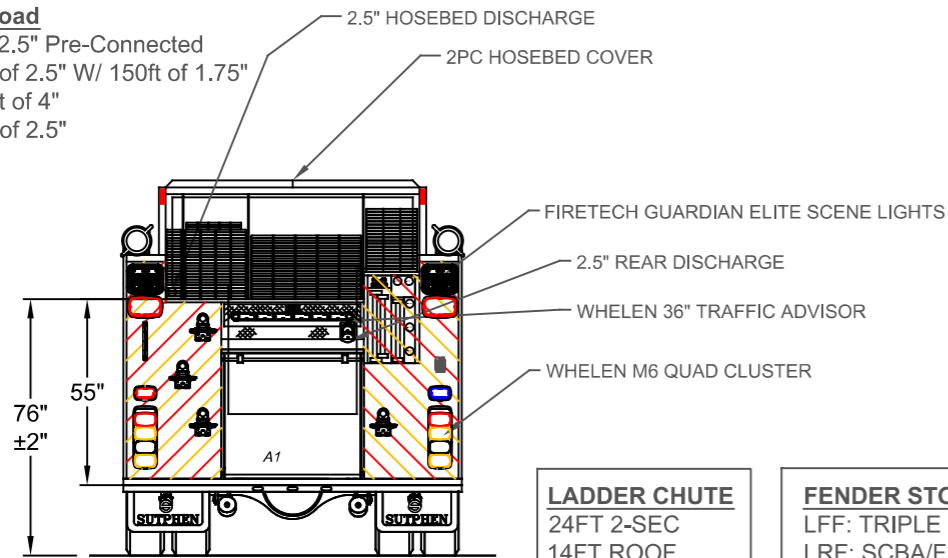


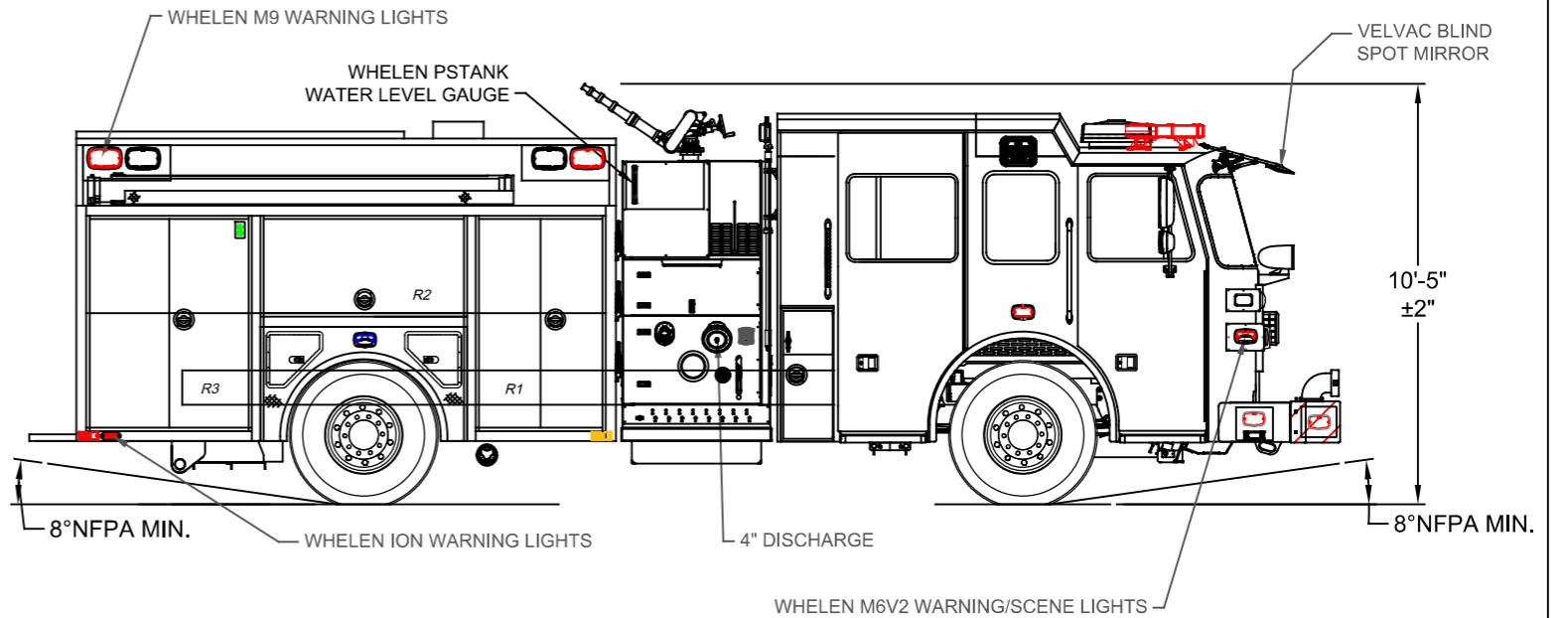
Hose Load

- 1:200ft 2.5" Pre-Connected
- 2:500ft of 2.5" W/ 150ft of 1.75"
- 3:1000ft of 4"
- 4:500ft of 2.5"



LADDER CHUTE
 24FT 2-SEC
 14FT ROOF
 10FT ATTIC
 (5) PIKE POLES

FENDER STORAGE
 LFF: TRIPLE SCBA
 LRF: SCBA/FUEL
 RFF: TRIPLE SCBA
 RRF: DOUBLE EXT



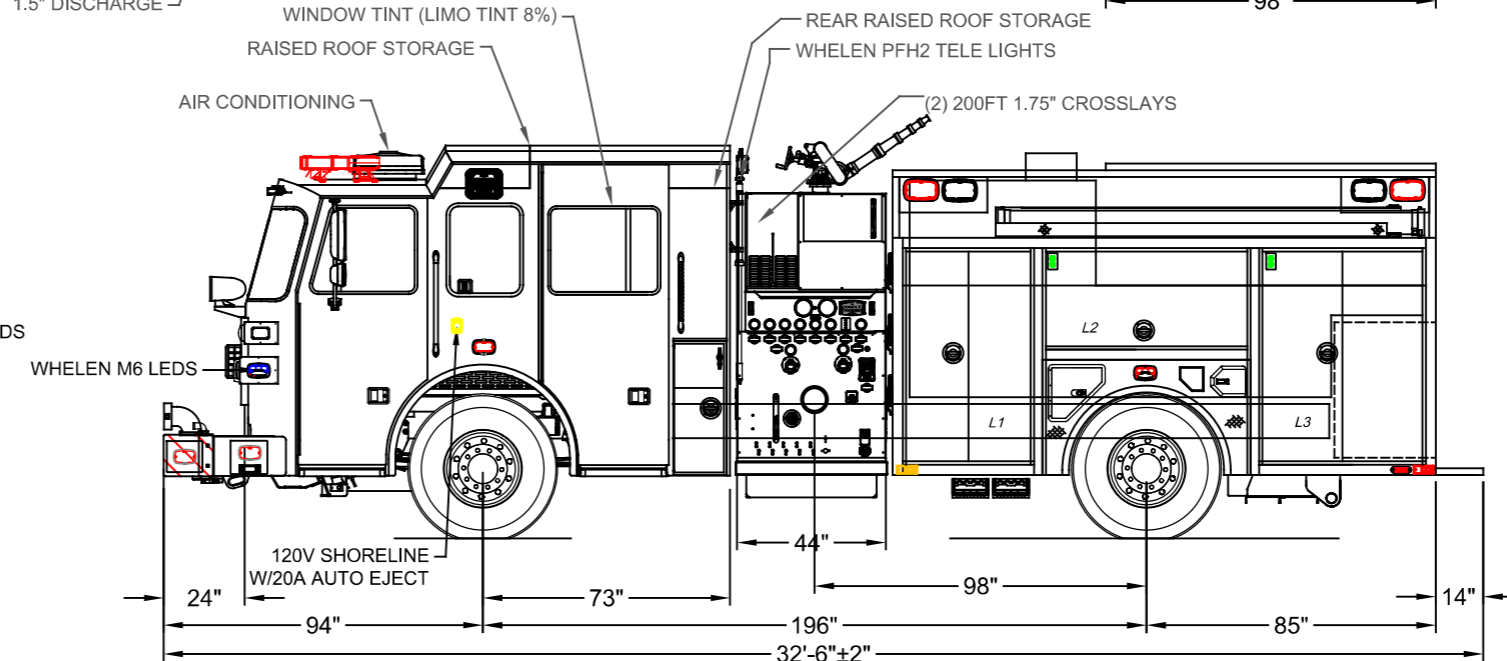
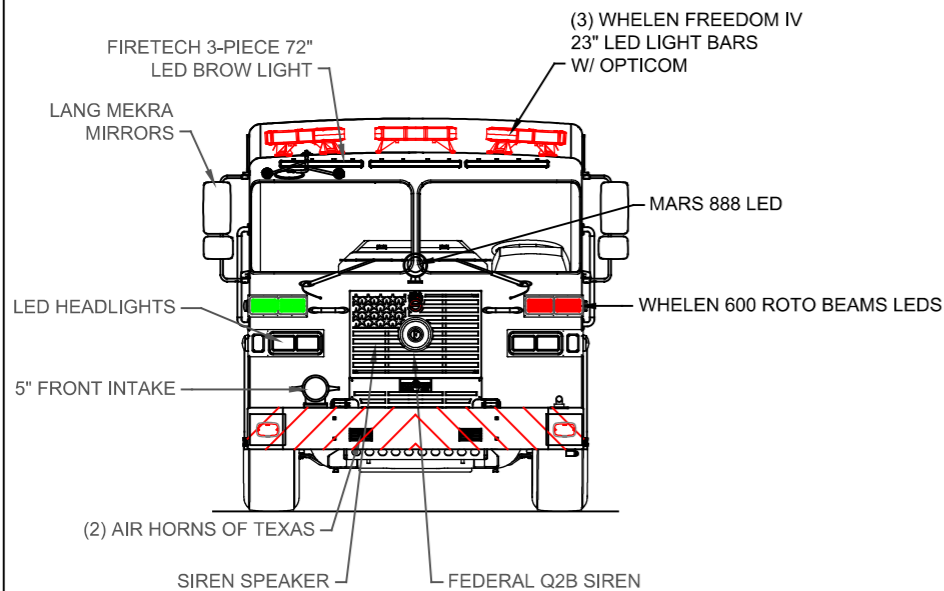
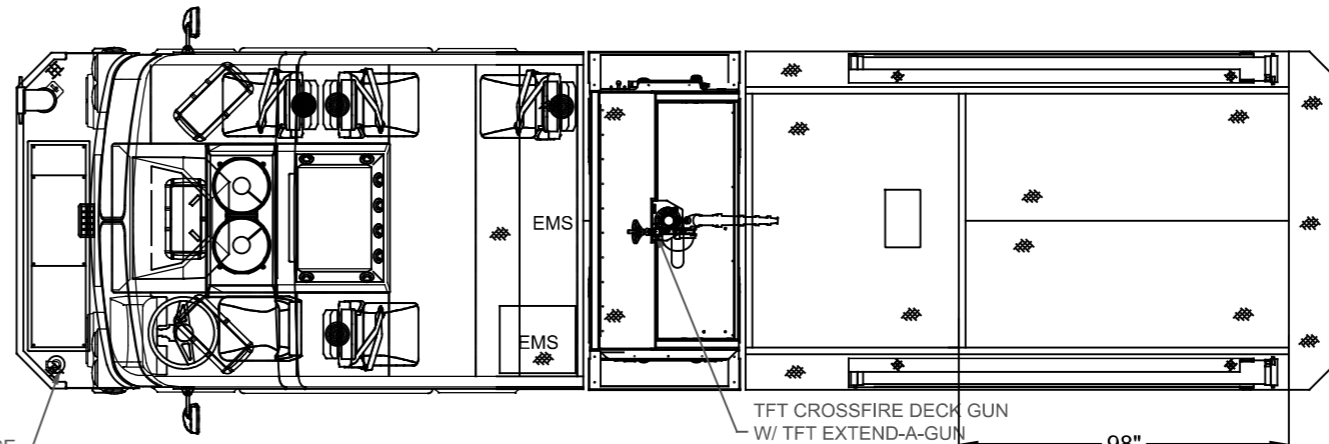
LEFT SIDE COMPARTMENTATION				
COMPT	DOORS	OPENING DIMENSIONS	INSIDE DIMENSIONS	VOLUME
L1	HINGED	37" w X 60" h	43" w X 66" h X 27 1/4" d (10 1/2" d upper)	32.1 CU. FT.
L2	HINGED	57" w X 26" h	64" w X 32" h X 27 1/4" d (10 1/2" d upper)	23.5 CU. FT.
L3	HINGED	50" w X 60" h	53" w X 66" h X 27 1/4" d (10 1/2" d upper)	39.5 CU. FT.

RIGHT SIDE COMPARTMENTATION				
COMPT	DOORS	OPENING DIMENSIONS	INSIDE DIMENSIONS	VOLUME
R1	HINGED	37" w X 60" h	43" w X 66" h X 27 1/4" d (10 1/2" d upper)	31.2 CU. FT.
R2	HINGED	57" w X 26" h	64" w X 32" h X 10 1/2" d	12.1 CU. FT.
R3	HINGED	50" w X 60" h	53" w X 66" h X 27 1/4" d (10 1/2" d upper)	38.5 CU. FT.

REAR STEP COMPARTMENTS				
COMPT	DOORS	OPENING DIMENSIONS	INSIDE DIMENSIONS	VOLUME
A1	ROLL-UP	37 1/2" w X 31" h	40" h X 40" w X 30 1/2" d	28.2 CU. FT.

TOTAL: 205.1 CU. FT.

Hale Qmax xs 2000 single stage
Water Tank Capacity 1000 gal



DIMENSIONS SHOWN ON THIS DRAWING ARE APPROXIMATE AND ARE SUBJECT TO MINOR DEVIATIONS DURING CONSTRUCTION.

IN THE EVENT OF A DISCREPANCY BETWEEN THE SUTPHEN SPECIFICATIONS AND DRAWING, THE SUTPHEN SPECIFICATIONS SHALL PREVAIL.

DRAWING IS FOR REFERENCE ONLY. SOME ITEMS PROPOSED MAY NOT BE SHOWN OR NOTED.

CUSTOMER APPROVAL

NAME: _____

TITLE: _____

DATE: _____

REV.	DESCRIPTION	BY	DATE
D	CHANGED REAR WARNING LIGHTS	JVG	07/29/2024
C	CHANGED TO 5 PIKE POLES AND DELETED BACKBOARD STORAGE	JVG	01/16/2024
B	DELETED BOOSTER REEL, ADDED BUMPER DISCHARGE, CHANGED BUMPER LID TO VELCRO STRAPS	JVG	06/15/2023
A	CHANGES FROM PRE-CON	JVG	02/21/2023

DRAWN BY:
J. GORDON

DATE:
10/27/2022

MFG. FACILITY:
EAST



EAST DUNDEE FIRE DEPT.
EAST DUNDEE, IL

CUSTOM PUMPER - S-2
 DWG. NO.: HS-7737

THIS PRINT IS PROVIDED ON A RESTRICTED BASIS AND IS NOT TO BE USED IN ANY WAY DETRIMENTAL TO THE INTEREST OF SUTPHEN CORPORATION.