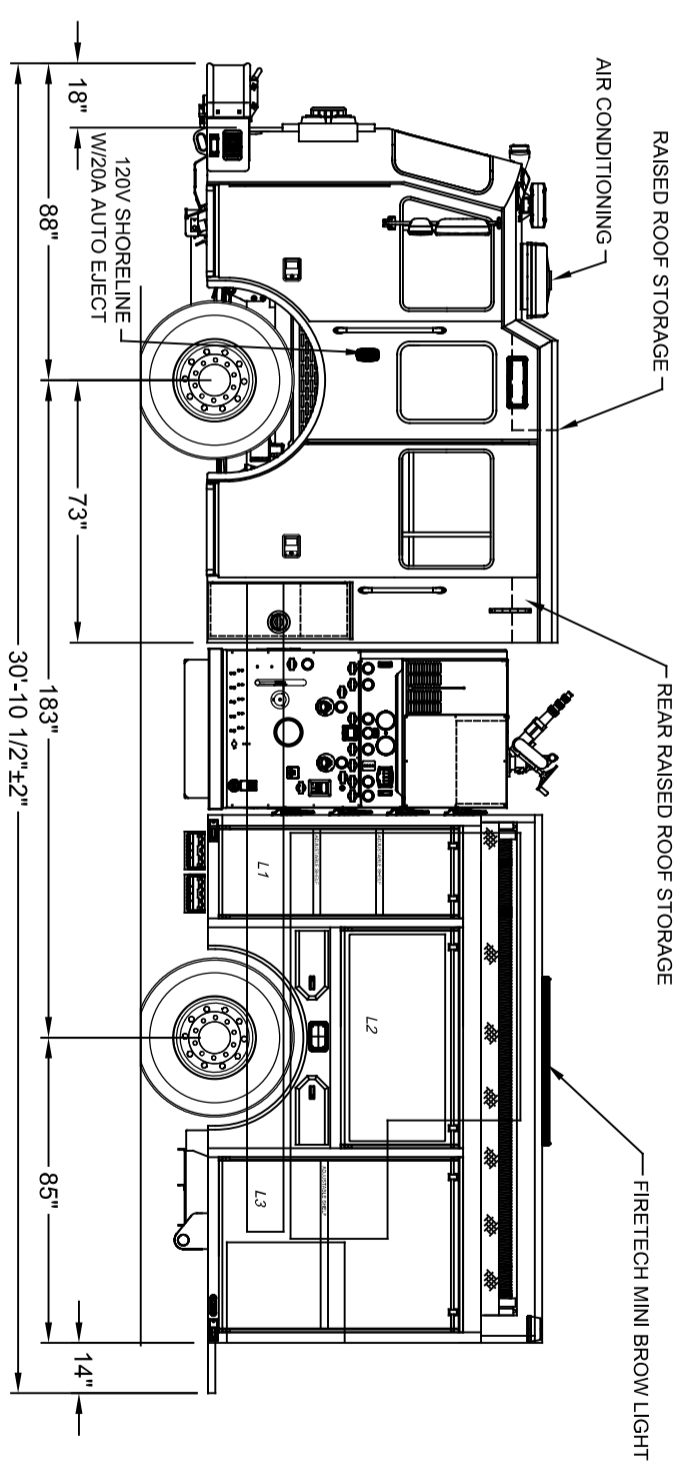
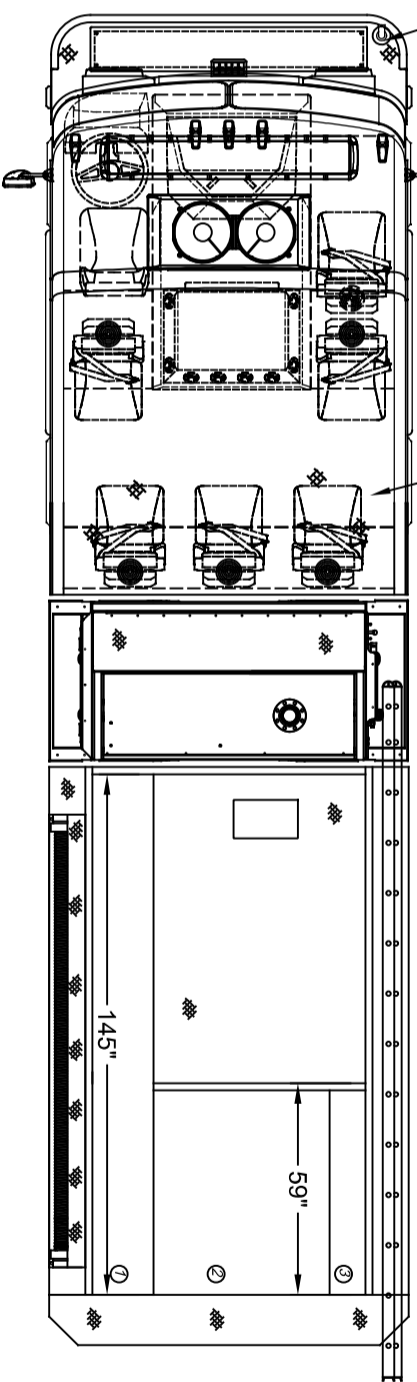
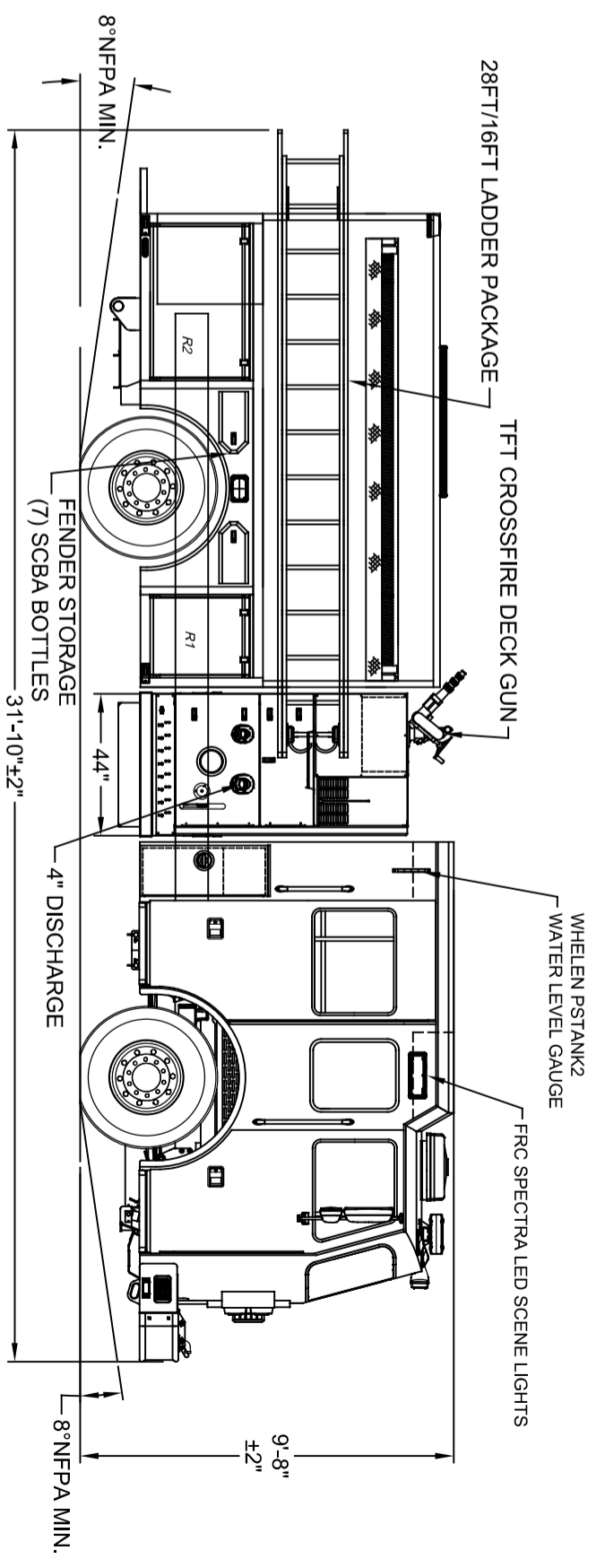
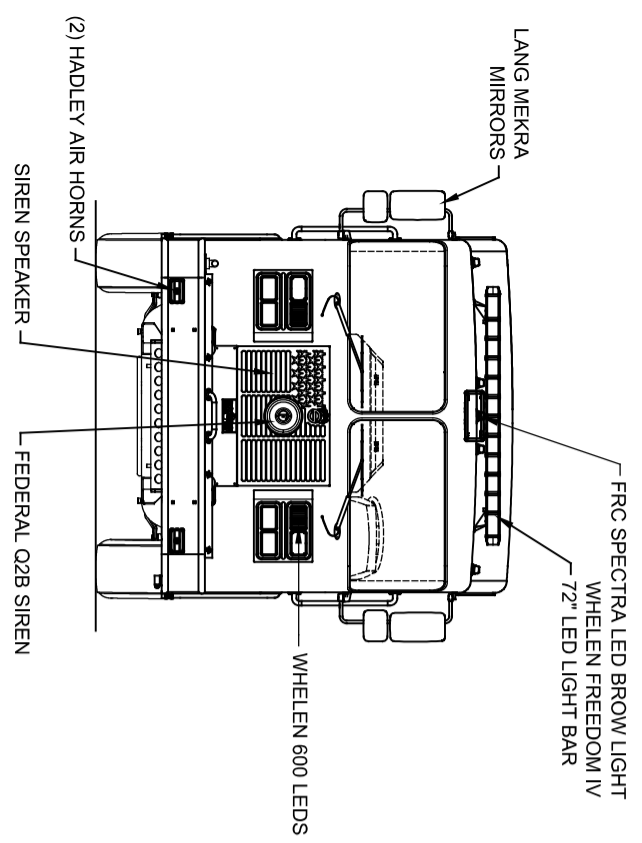


Left Side Compartmentation		
Compartment	Doors	Volume
WVHXD		
L1	Roll Up	23x62
L2	Roll Up	57x28
L3	Roll Up	46x62
Right Side Compartmentation		
Doors		
Compartment	Opening Dimensions	Inside Dimensions
R1	Roll Up	23x29
R2	Roll Up	48x29
Rear Compartmentation		
Doors		
Compartment	Opening Dimensions	Inside Dimensions
A1	Roll Up	38x30
Total Volume		
209.2 CU FT		



Hale Qmax 1500 single stage
Water Tank Capacity 1000 gal

Hose Load
1: 600ft of 2"
2: 1100ft of 5"
3: 350ft of 2.5"

DIMENSIONS SHOWN ON THIS DRAWING ARE APPROXIMATE AND ARE SUBJECT TO MINOR DEVIATIONS DURING CONSTRUCTION.

IN THE EVENT OF A DISCREPANCY BETWEEN THE SUTPHEN SPECIFICATIONS AND DRAWING, THE SUTPHEN SPECIFICATIONS SHALL PREVAIL.

DRAWING IS FOR REFERENCE ONLY. SOME ITEMS PROPOSED MAY NOT BE SHOWN OR NOTED.

CUSTOMER APPROVAL

NAME: _____
TITLE: _____
DATE: _____

REV. A CHANGES FROM PRE-CON

DESCRIPTION: _____

THIS PRINT IS PROVIDED ON A RESTRICTED BASIS AND IS NOT TO BE USED IN ANY WAY DETRIMENTAL TO THE INTEREST OF SUTPHEN CORPORATION.

DRAWN BY: J. GORDON
DATE: 08/03/2022
MFG. FACILITY: EAST

FIVE MILE POINT FIRE DEPT.
FIVE MILE POINT, NY
CUSTOM PUMPER S1 BODY
HS-7639

