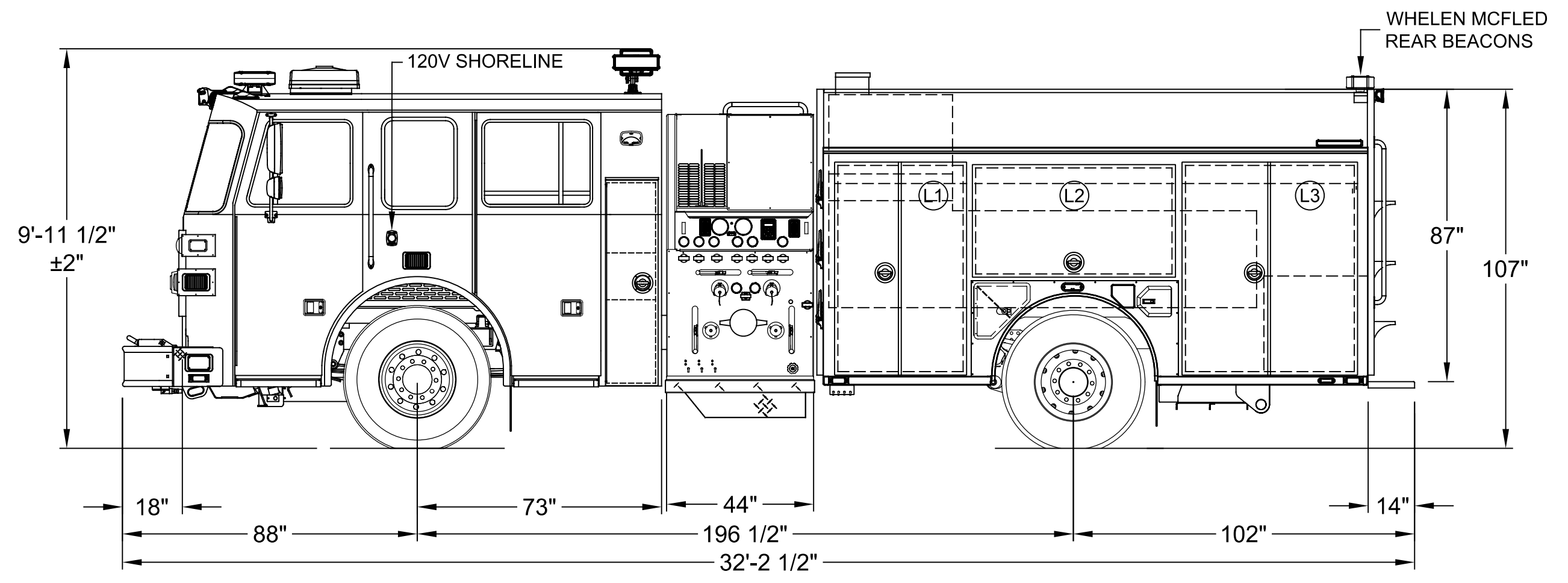
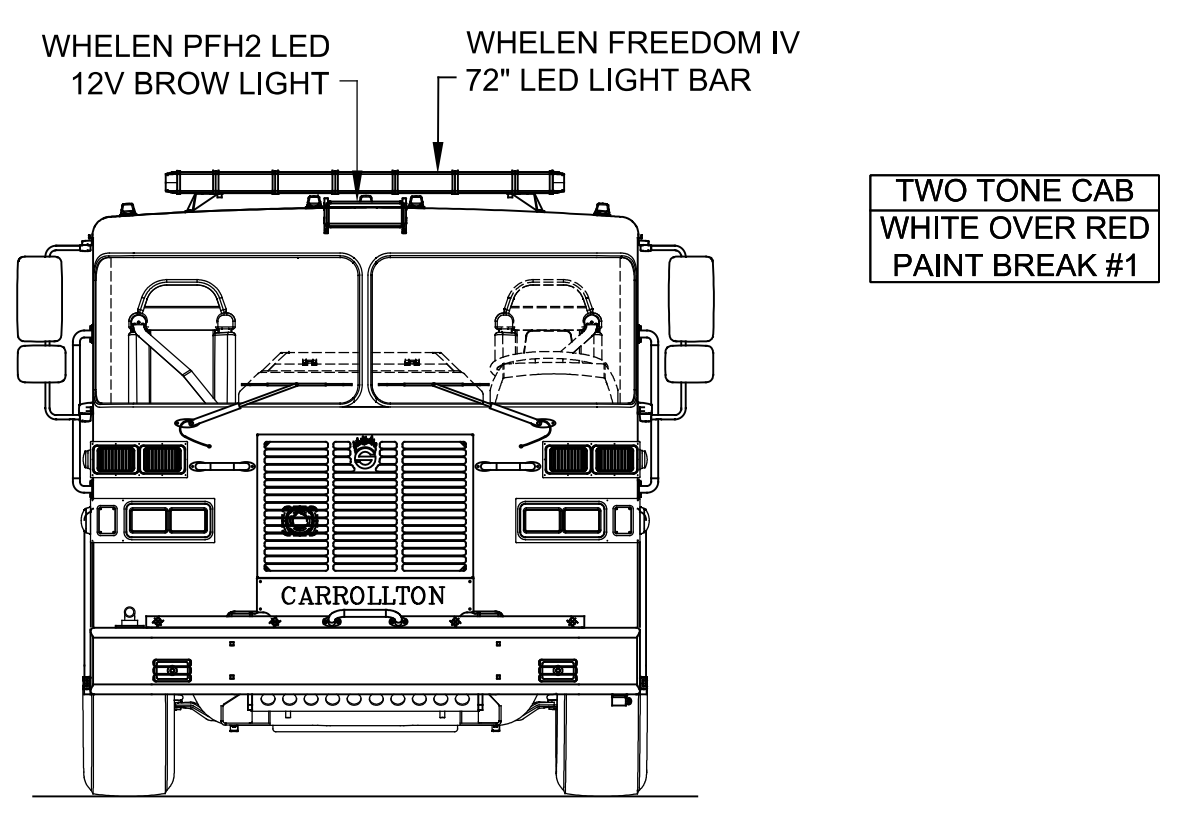
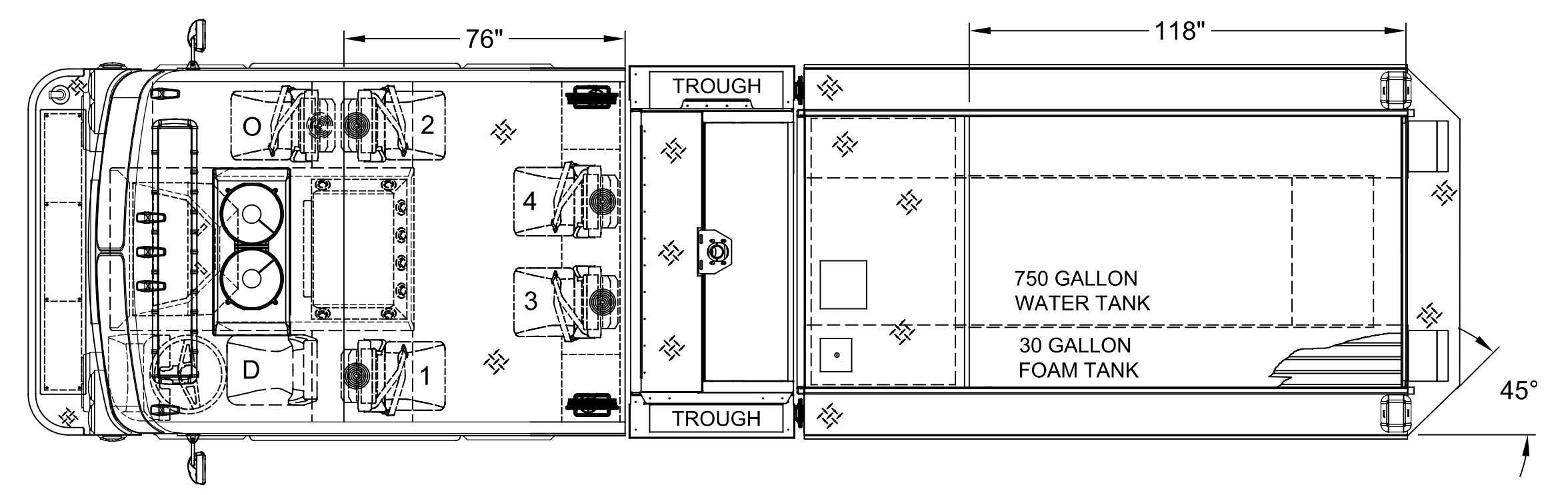


LEFT SIDE COMPARTMENTS				
COMPT	DOORS	OPENING DIMENSIONS	INSIDE DIMENSIONS	VOLUME
L1	DOUBLE	35.5" w X 58.4" h	43.1" w X 66" h X 25.8" d	39.6 CU. FT. (7.5" h X 10.5" d UPPER)
L2	LIFT-UP	55.0" w X 31.9" h	61.6" w X 36.8" h X 25.8" d	29.8 CU. FT. (7.5" h X 10.5" d UPPER)
L3	DOUBLE	48.5" w X 58.4" h	53.4" w X 66" h X 25.8" d	49.1 CU. FT. (7.5" h X 10.5" d UPPER)

RIGHT SIDE COMPARTMENTS				
COMPT	DOORS	OPENING DIMENSIONS	INSIDE DIMENSIONS	VOLUME
R1	DOUBLE	35.5" w X 58.4" h	43.1" w X 66" h X 25.8" d	39.6 CU. FT. (7.5" h X 10.5" d UPPER)
R2	LIFT-UP	55.0" w X 31.9" h	61.6" w X 36.8" h X 25.8" d	29.8 CU. FT. (7.5" h X 10.5" d UPPER)
R3	DOUBLE	48.5" w X 58.4" h	53.4" w X 66" h X 25.8" d	49.1 CU. FT. (7.5" h X 10.5" d UPPER)

REAR STEP COMPARTMENT				
COMPT	DOORS	OPENING DIMENSIONS	INSIDE DIMENSIONS	VOLUME
A1	DOUBLE	37" w X 27" h	43" w X 28" h X 31" d	21.6 CU. FT.
<b>TOTAL:</b>				<b>258.5 CU. FT.</b>



DIMENSIONS SHOWN ON THIS DRAWING ARE APPROXIMATE AND ARE SUBJECT TO MINOR DEVIATIONS DURING CONSTRUCTION.

IN THE EVENT OF A DISCREPANCY BETWEEN THE SUTPHEN SPECIFICATIONS AND DRAWING, THE SUTPHEN SPECIFICATIONS SHALL PREVAIL.

DRAWING IS FOR REFERENCE ONLY. SOME ITEMS PROPOSED MAY NOT BE SHOWN OR NOTED.

**CUSTOMER APPROVAL**

NAME: \_\_\_\_\_

TITLE: \_\_\_\_\_

DATE: \_\_\_\_\_

M	REFERENCE SHOP ORDER REVISION EMAIL	TF	12/18/24	DATE:	01/04/22
L	REFERENCE SHOP ORDER REVISION EMAIL	TF	11/27/24	DRAWN BY:	T.FAHOUM
K	REFERENCE SHOP ORDER REVISION EMAIL	TF	11/04/24		
J	REFERENCE SHOP ORDER REVISION EMAIL	TF	10/18/24		
REV.	DESCRIPTION	BY	DATE	MFG. FACILITY:	URBANA
THIS PRINT IS PROVIDED ON A RESTRICTED BASIS AND IS NOT TO BE USED IN ANY WAY DETRIMENTAL TO THE INTEREST OF SUTPHEN CORPORATION.					

**SUTPHEN**

CARROLLTON FIRE DEPARTMENT  
CARROLLTON, GA

CUSTOM PUMPER - S9

DWG. NO.: HS-7390-93