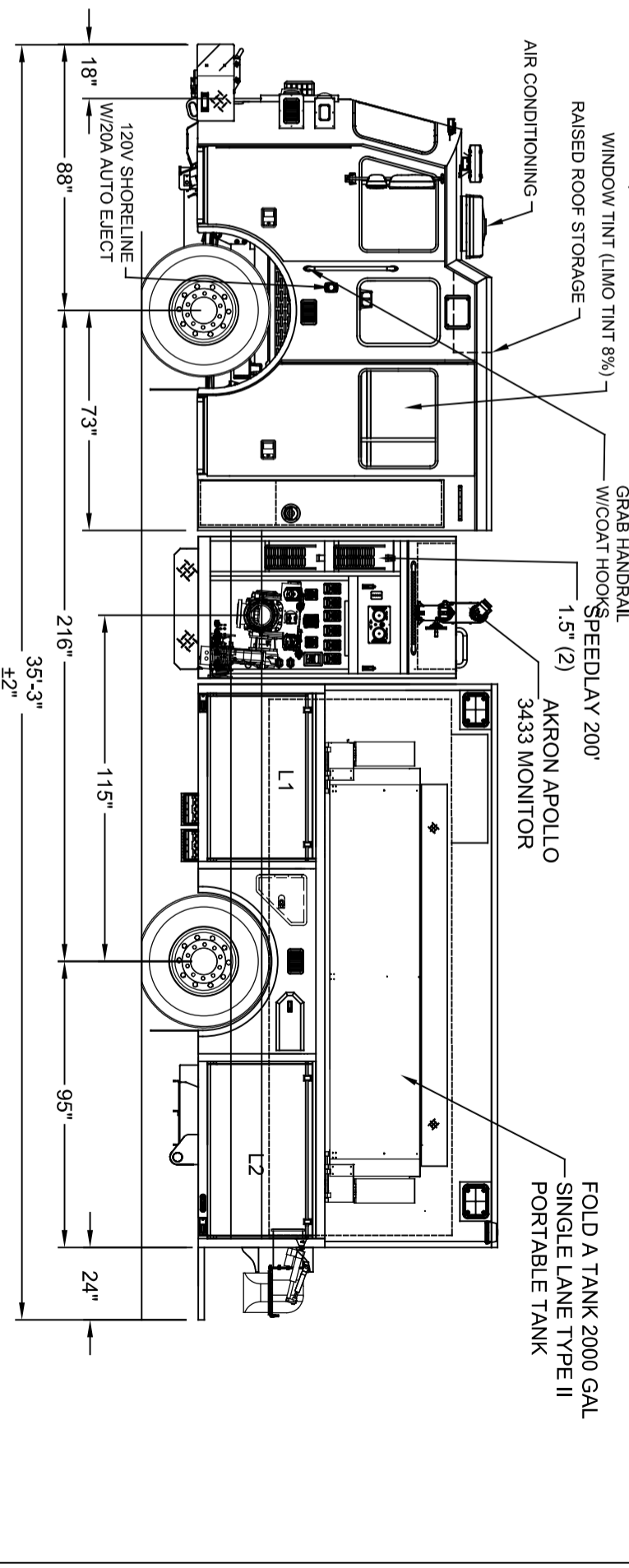
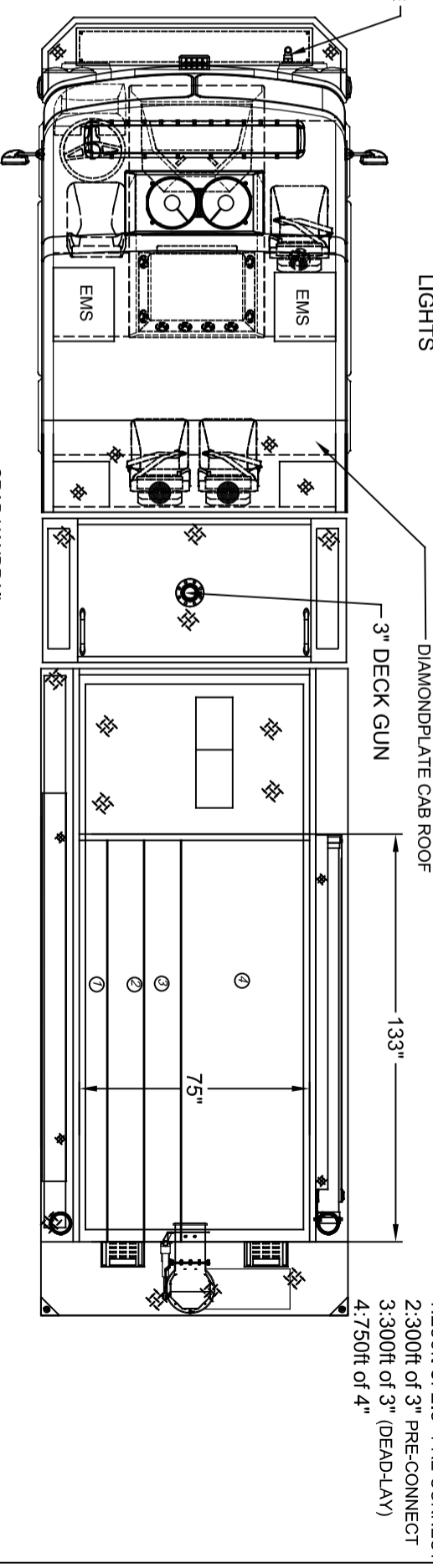
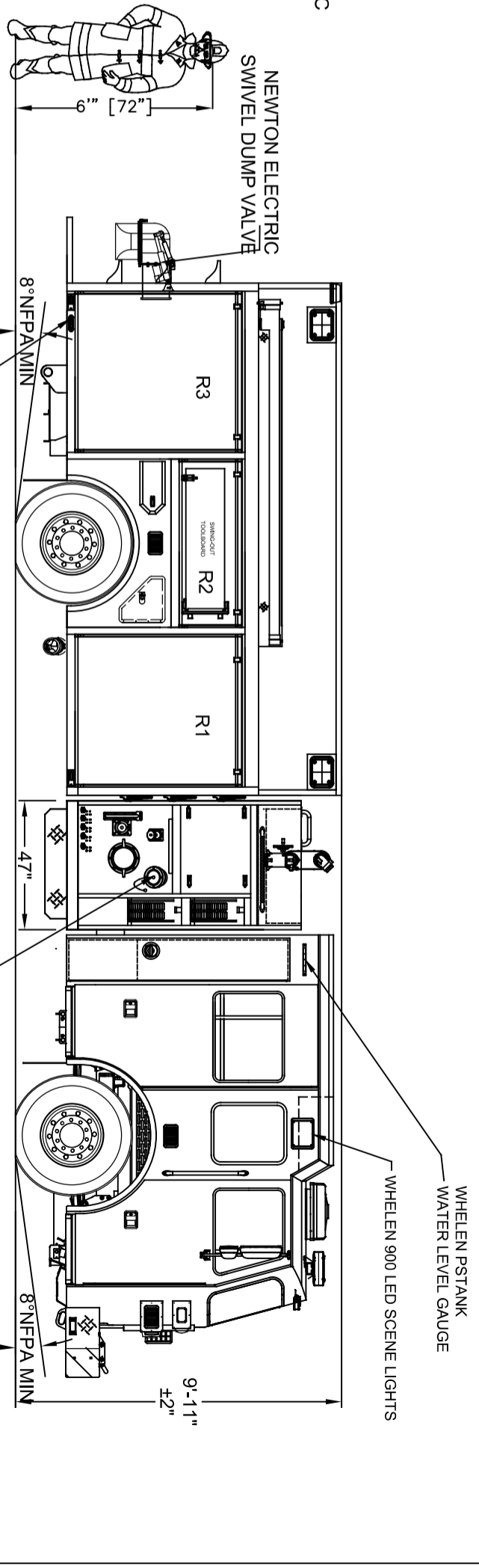
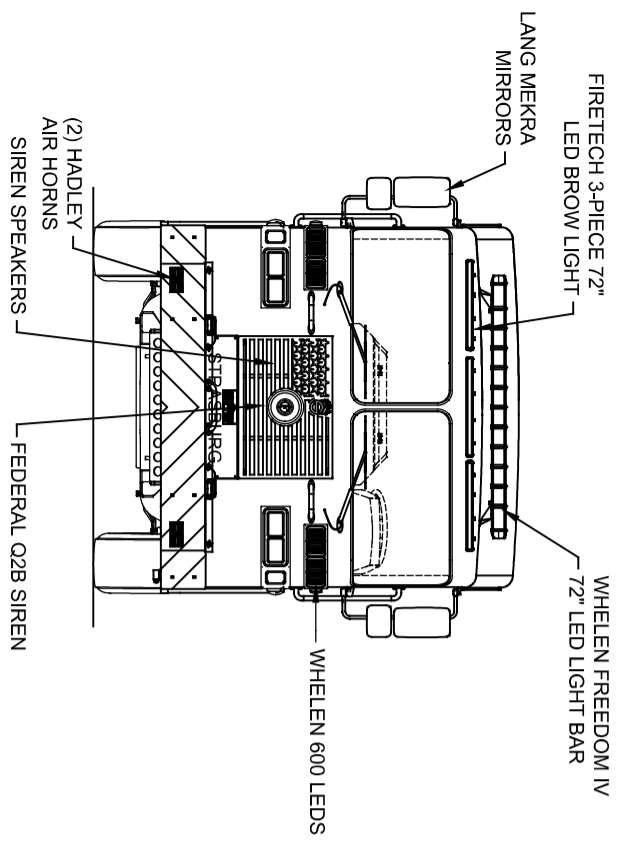


Right Side Compartmentation				
Comp't	Doors	Opening Dimensions	Volume	
R1	Roll Up	53x66	60x66x24.25	55.6 CU FT
R2	Roll Up	57x18	64x28x24.25	28.7 CU FT
R3	Roll Up	56x56	63x68x24.25	58.3 CU FT
Left Side Compartmentation			Volume	
L1	Roll Up	53x28	60x38x24.25	32 CU FT
L2	Roll Up	56x28	63x38x24.25	33.6 CU FT
Total Volume			208.2 CU FT	

- LADDER CHUTE**
24FT 2-SEC
14FT ROOF
10FT ATTIC
PIKE POLES (2)
- SUCTION CHUTE**
10' 6" HARD
SUCTION (2)
- FENDER STORAGE**
LFF: TRIPLE SCBA
LRF: FUEL/SCBA COMBO
RRF: OIL DRY HOPPER
RRF: DOUBLE SCBA



DIMENSIONS SHOWN ON THIS DRAWING ARE APPROXIMATE AND ARE SUBJECT TO MINOR DEVIATIONS DURING CONSTRUCTION.

IN THE EVENT OF A DISCREPANCY BETWEEN THE SUTPHEN SPECIFICATIONS AND DRAWING, THE SUTPHEN SPECIFICATIONS SHALL PREVAIL.

DRAWING IS FOR REFERENCE ONLY. SOME ITEMS PROPOSED MAY NOT BE SHOWN OR NOTED.

CUSTOMER APPROVAL			
NAME:		DATE:	
TITLE:			
REV D	CHANGE TO PTA	RR	5/08/24
REV B	PIKE POLES IN LADDER CHUTE	RR	7/28/23
REV A	CHANGES FROM PRE-CON	RR	7/10/23
REV.	DESCRIPTION	BY	DATE
THIS PRINT IS PROVIDED ON A RESTRICTED BASIS AND IS NOT TO BE USED IN ANY WAY DETRIMENTAL TO THE INTEREST OF SUTPHEN CORPORATION.			

SUTPHEN

STRASBURG FIRE DEPARTMENT
STRASBURG, OH

CUSTOM DRY SIDE TANKER - 1A-01
HS-7808