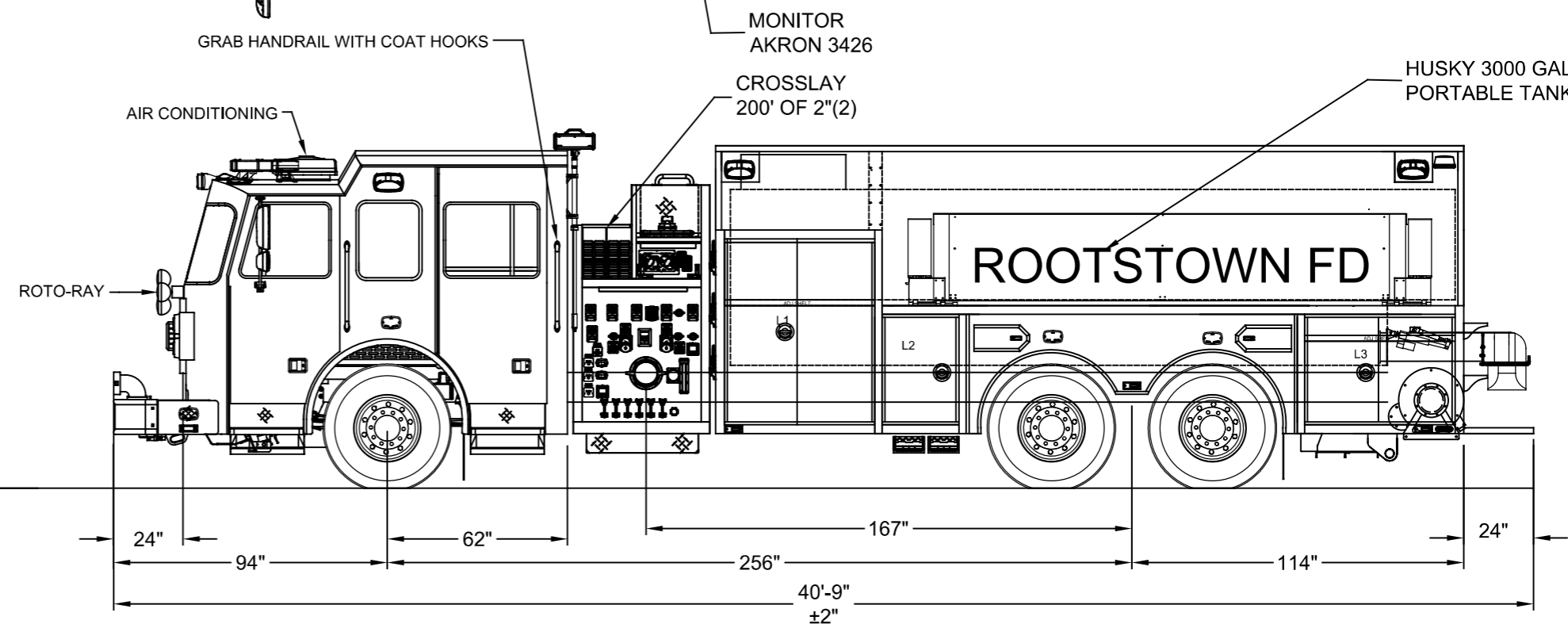
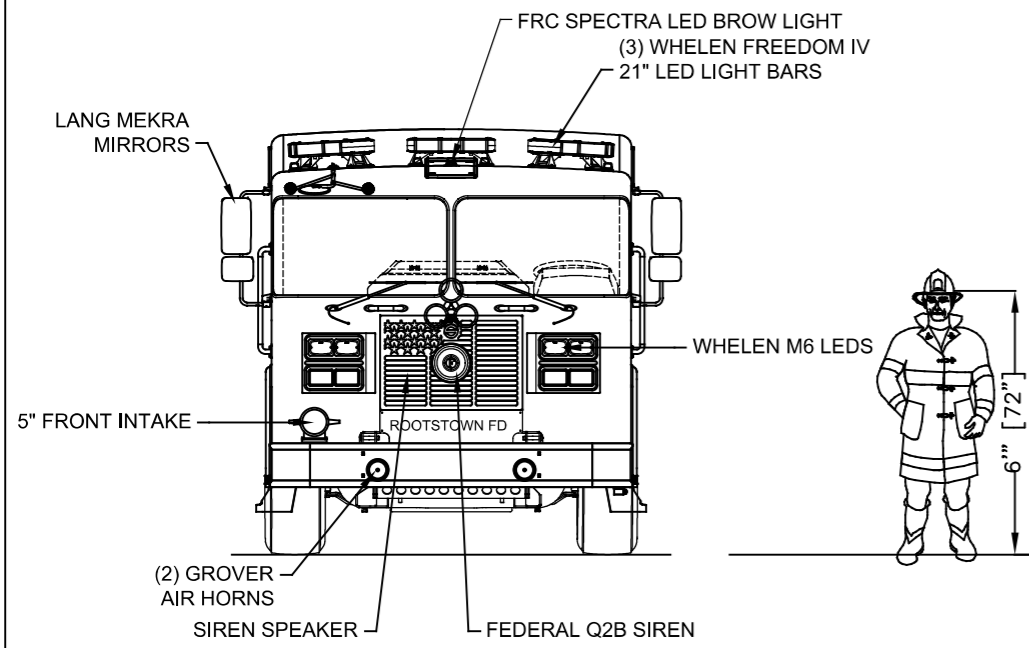
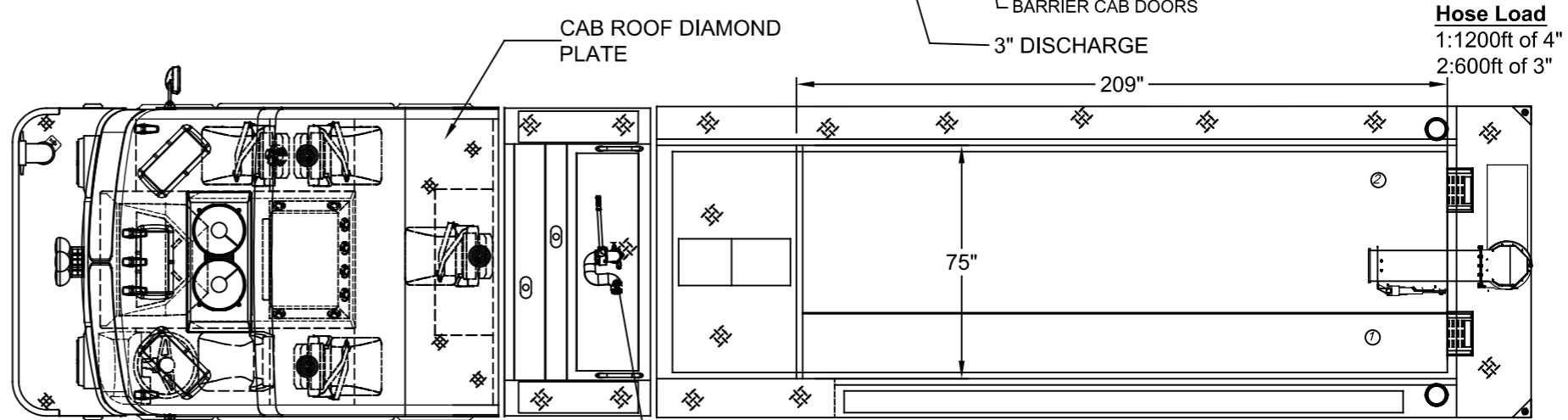


Left Side Compartmentation				
Compt	Doors	Opening Dimensions	Inside Dimensions	Volume
WxHxD				
L1	Hinge	49x30	56x66x24.25/10.25	40.1 CU FT
L2	Hinge	28x30	29x40x24.25	16.8 CU FT
L3	Hinge	38x30	56x40x24.25	25.3 CU FT
Right Side Compartmentation				
Compt	Doors	Opening Dimensions	Inside Dimensions	Volume
R1	Hinge	49x56	56x66x24.25/10.25	40.1 CU FT
R2	Hinge	28x56	29x66x24.25/10.25	21.5 CU FT
R3	Hinge	50x16	58.25x26x10.25	8.8 CU FT
R4	Hinge	50x56	58.25x26x10.25	8.8 CU FT
R5	Hinge	38x56	56x66x24.25/10.25	32.2 CU FT

LADDER CHUTE
24' 2 SEC
14' ROOF
10' FOLDING
SCBA
LFF: DOUBLE
LRF: SINGLE, DOUBLE
RRF: DOUBLE
RRF: DOUBLE
CHUTE
HARD SUCTION 15' 6" (2)

WATEROUS CSU 1500 GPM SS,
3000 GAL WATER

Total Volume
193.6 CU Ft



DIMENSIONS SHOWN ON THIS DRAWING ARE APPROXIMATE AND ARE SUBJECT TO MINOR DEVIATIONS DURING CONSTRUCTION.

IN THE EVENT OF A DISCREPANCY BETWEEN THE SUTPHEN SPECIFICATIONS AND DRAWING, THE SUTPHEN SPECIFICATIONS SHALL PREVAIL.

DRAWING IS FOR REFERENCE ONLY. SOME ITEMS PROPOSED MAY NOT BE SHOWN OR NOTED.

CUSTOMER APPROVAL

NAME: _____

TITLE: _____

DATE: _____

REV.	DESCRIPTION	BY	DATE
REV E	BUMPER, AIR HORN, FRONT SUCTION, HIGHMETAL HEIGHT	RR	09/3/2024
REV C	SWITCH CLARIFICATION	RR	03/25/2024
REV B	DELETE FOAM	RR	10/17/2023
REV A	CHANGES FROM PRE-CON	RR	07/06/2023

DRAWN BY:
RAGHU

DATE:
5-5-22

MFG. FACILITY:
SUTPHEN EAST
LAKE ARIEL, PA

ROOTSTOWN FIRE DEPARTMENT
ROOTSTOWN, OH

CUSTOM DRY SIDE TANKER-TA-04

DWG. NO.: HS-7738