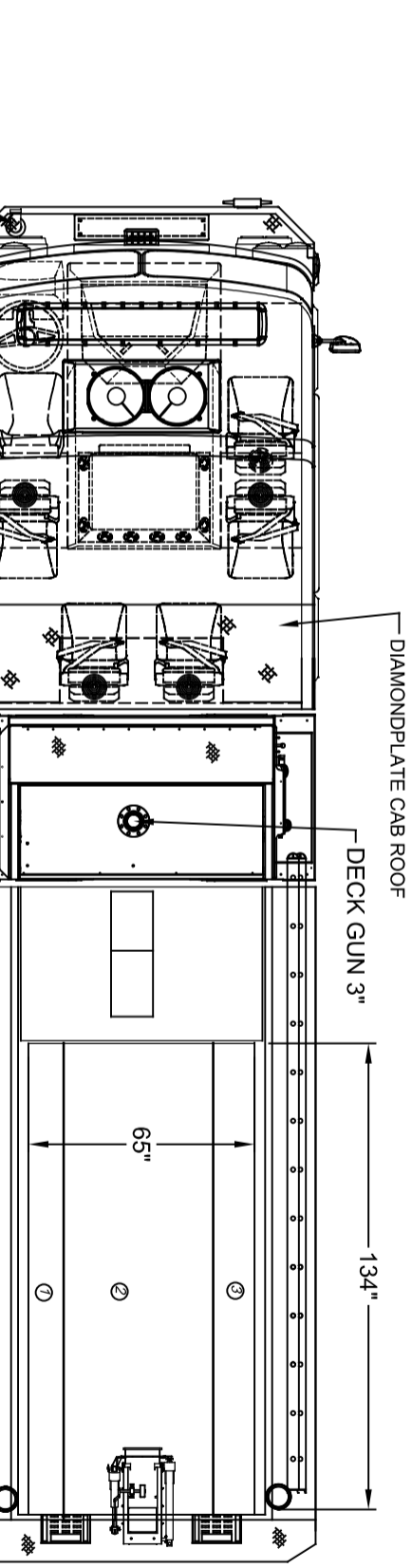
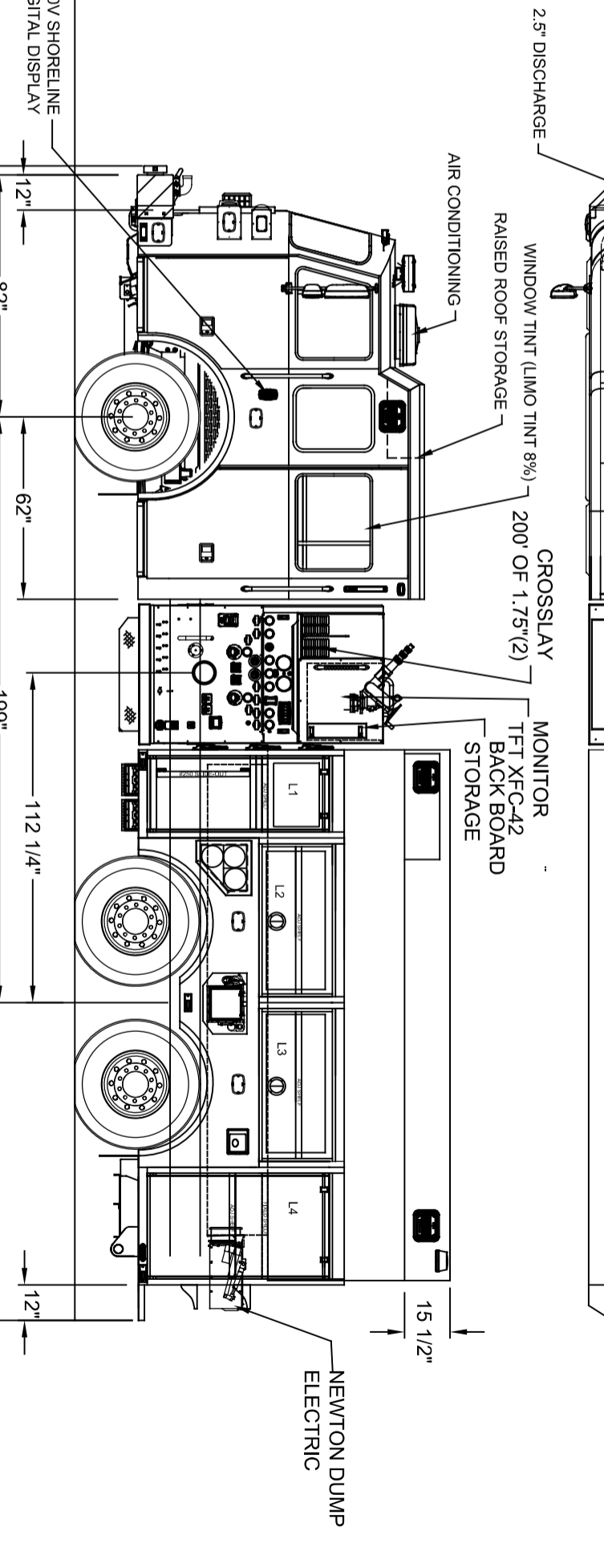
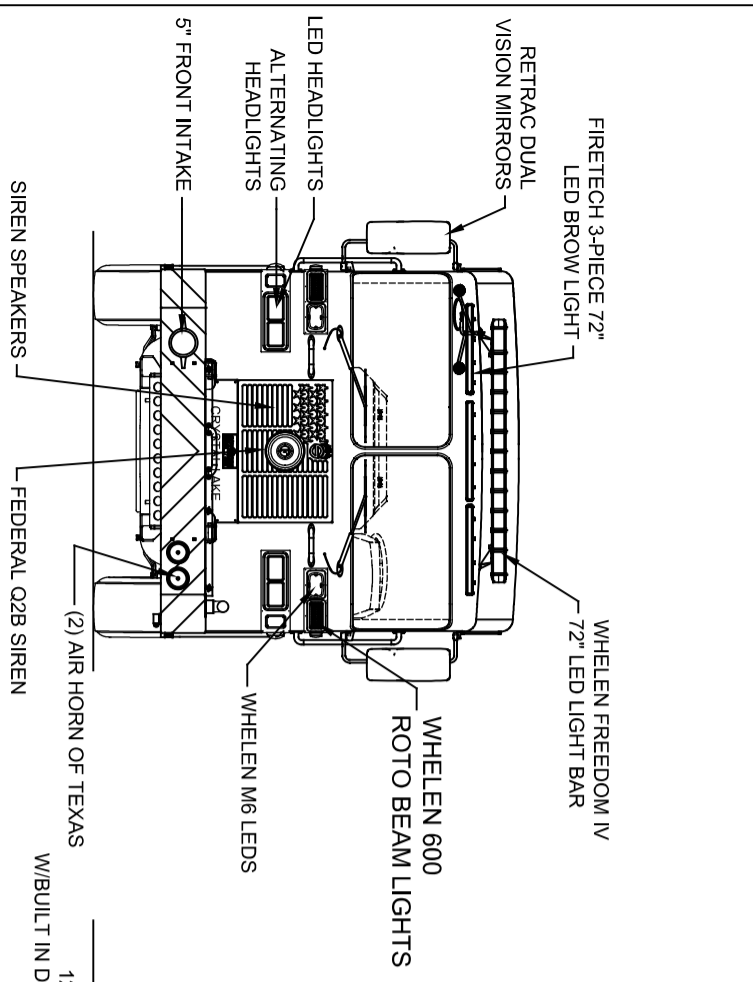


Left Side Compartmentation		
Comp	Doors	Volume
L1	Roll Up	21 CU FT
L2	Hinge	9.3 CU FT
L3	Hinge	9.3 CU FT
L4	Roll Up	28 CU FT
Right Side Compartmentation		
Comp	Doors	Volume
R1	Roll Up	21 CU FT
R2	Hinge	9.3 CU FT
R3	Hinge	9.3 CU FT
R4	Roll Up	28 CU FT

- LADDER RACK
- 35' 3 SEC 16' ROOF
- 10' FOLDING
- OFFICER SIDE CHUTE
- 14" 6" HARD SUCTION (2)
- PIKE POLES(2) 8' AND 12
- SCBA
- FFF: TRIPLE SCBA
- LRF: FUEL FILL
- RF: TRIPLE SCBA
- RRF: 10LBS EXT (2)



HOSE LOAD
 300' OF 3" PRE-CONECT TO LEFT REAR DISCHARGE
 1000' OF 5" PRE-CONECT TO RIGHT REAR DISCHARGE



DIMENSIONS SHOWN ON THIS DRAWING ARE APPROXIMATE AND ARE SUBJECT TO MINOR DEVIATIONS DURING CONSTRUCTION.
 IN THE EVENT OF A DISCREPANCY BETWEEN THE SUTPHEN SPECIFICATIONS AND DRAWING, THE SUTPHEN SPECIFICATIONS SHALL PREVAIL.
 DRAWING IS FOR REFERENCE ONLY. SOME ITEMS PROPOSED MAY NOT BE SHOWN OR NOTED.

CUSTOMER APPROVAL

NAME: _____
 TITLE: _____
 DATE: _____

REV. A CHANGES FROM PRE-CON
 REV. B ADJ SHELF L4/R4

DESCRIPTION: _____

DATE: 10/26/23
 DATE: 11/21/22

DATE: 4-4-2022

CRYSTAL LAKE FIRE DEPARTMENT
 ELLINGTON, CT

SUTPHEN
 SUTPHEN EAST
 LAKE ARIEL, PA

CRISTAL LAKE FIRE DEPARTMENT
 ELLINGTON, CT
 CUSTOM WET SIDE TANKER SVT-04A
 HS-7599