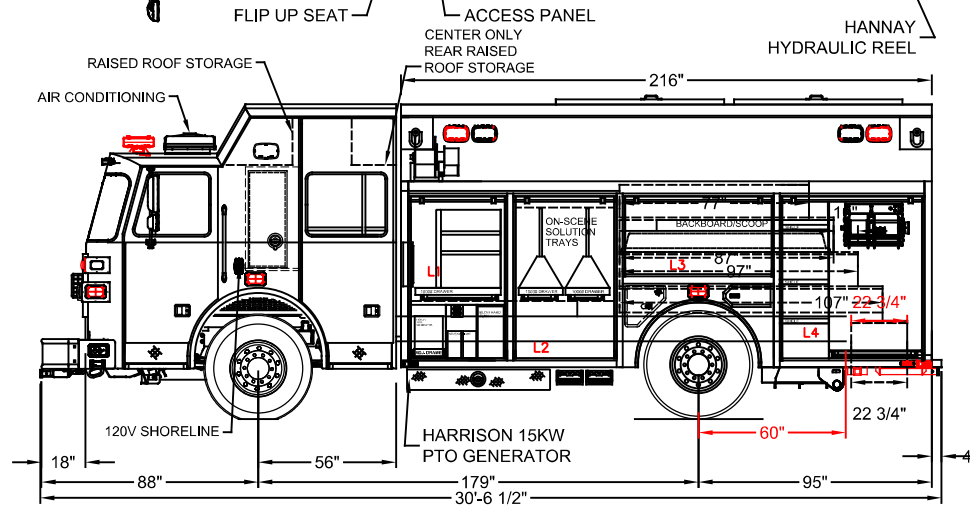
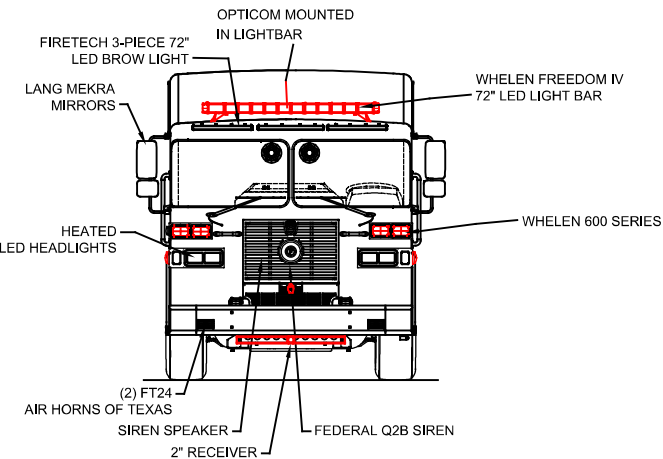
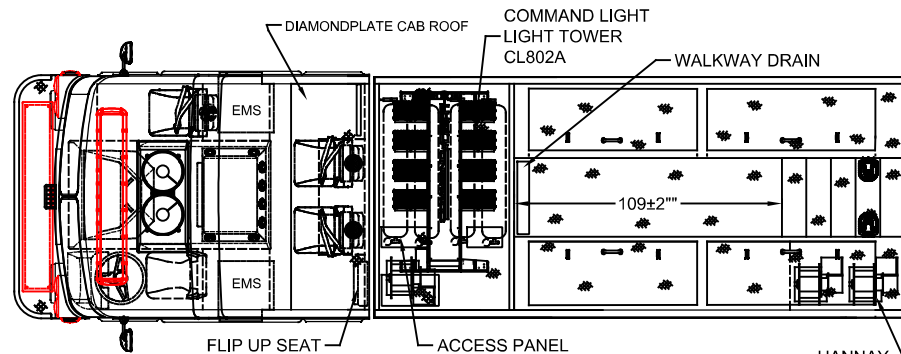


Left Side Compartmentation				
Comp	Doors	Opening Dimensions	Inside Dimensions	Volume
L1	ROLL-UP	37.5x82	44.5x72x26.25	67 CU FT
L2	ROLL-UP	37.5x82	44.5x72x26.25	67 CU FT
L3	ROLL-UP	56.6x28	63.6x38x26.25	36.7 CU FT
L4	ROLL-UP	56x82	63x72x31.25	82 CU FT
Right Side Compartmentation				
Comp	Doors	Opening Dimensions	Inside Dimensions	Volume
R1	ROLL-UP	37.5x82	44.5x72x26.25	67 CU FT
R2	ROLL-UP	37.5x82	44.5x72x26.25	67 CU FT
R3	ROLL-UP	56.6x28	63.6x38x26.25	36.7 CU FT
R4	ROLL-UP	56x82	63x72x31.25	82 CU FT
Coffin Compartmentation				
Comp	Doors	Opening Dimensions	Inside Dimensions	Volume
LH	Hatch	91x22	159x31x33	84.1 CU FT
RH	Hatch	91x22	159x31x33	84.1 CU FT
Total Volume				683.6 CU FT



DIMENSIONS SHOWN ON THIS DRAWING ARE APPROXIMATE AND ARE SUBJECT TO MINOR DEVIATIONS DURING CONSTRUCTION.	CUSTOMER APPROVAL		D/E/F	CHANGES FROM CHANGE ORDER D, E, AND F	SED	6/6/24	DRAWN BY:	S.DORFMAN
	NAME:		C	CHANGES FROM CHANGE ORDER C	SED	1/4/23	DATE:	9/23/22
	TITLE:		B	CHANGES FROM CHANGE ORDER B	SED	3/2/23	MFG. FACILITY:	EAST
	DATE:		A	CHANGES FROM PRE-CON	SED	2/28/23		
IN THE EVENT OF A DISCREPANCY BETWEEN THE SUTPHEN SPECIFICATIONS AND DRAWINGS, THE SUTPHEN SPECIFICATIONS SHALL PREVAIL.		REV.	DESCRIPTION	BY	DATE			
DRAWING IS FOR REFERENCE ONLY. SOME ITEMS PROPOSED MAY NOT BE SHOWN OR NOTED.								



GARDNER FIRE DEPARTMENT  
GARDNER, MA

CUSTOM RESCUE- RA-18

SHWS. NO. HS-7603

THIS PRINT IS PROVIDED ON A RESTRICTED BASIS AND IS NOT TO BE USED IN ANY WAY DETRIMENTAL TO THE INTEREST OF SUTPHEN CORPORATION.