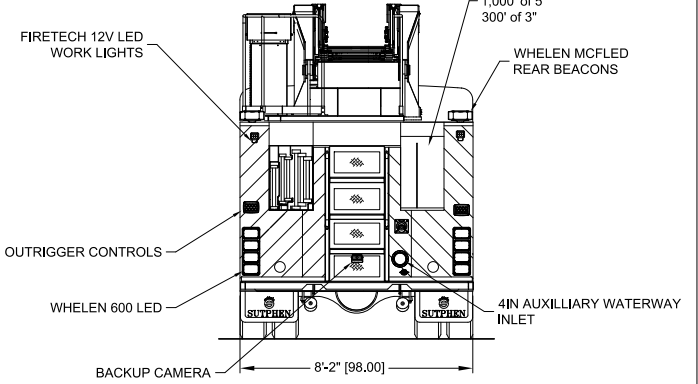


COMP	DOORS	OPENING DIMENSIONS	INSIDE DIMENSIONS	VOLUME
L1	UPPER	55.50"W x 28.00"H	62.12"W x 37.13"H x 10.90"D	13.34 CU. FT.
L1	LOWER	55.50"W x 30.00"H	62.12"W x 30.00"H x 23.93"D	25.80 CU. FT.
L2	ROLL-UP	38.00"W x 27.13"H	44.50"W x 36.25"H x 10.90"D	9.33 CU. FT.
L3	ROLL-UP	38.00"W x 27.13"H	44.50"W x 36.25"H x 10.90"D	9.33 CU. FT.
L4	UPPER	46.00"W x 28.00"H	50.06"W x 37.13"H x 10.90"D	10.75 CU. FT.
L4	LOWER	46.00"W x 30.00"H	50.06"W x 30.00"H x 23.93"D	20.80 CU. FT.
R1	UPPER	55.50"W x 28.00"H	62.12"W x 37.13"H x 10.90"D	13.34 CU. FT.
R1	LOWER	55.50"W x 30.00"H	62.12"W x 30.00"H x 23.93"D	25.80 CU. FT.
R2	ROLL-UP	38.00"W x 27.13"H	44.50"W x 36.25"H x 10.90"D	9.33 CU. FT.
R3	ROLL-UP	38.00"W x 27.13"H	44.50"W x 36.25"H x 10.90"D	9.33 CU. FT.
R4	UPPER	46.00"W x 28.00"H	50.06"W x 37.13"H x 10.90"D	10.75 CU. FT.
R4	LOWER	46.00"W x 30.00"H	50.06"W x 30.00"H x 23.93"D	20.80 CU. FT.
TOTAL VOLUME				178.70 CU. FT.

DUO-SAFETY LADDER COMPLIMENT
 585-A 10' FOLDING
 875-A 16' ROOF
 875-A 16' ROOF
 900-A 24' 2-SECTION
 1225-A 35' 3-SECTION



DIMENSIONS SHOWN ON THIS DRAWING ARE APPROXIMATE AND ARE SUBJECT TO MINOR DEVIATIONS DURING CONSTRUCTION.

IN THE EVENT OF A DISCREPANCY BETWEEN THE SUTPHEN SPECIFICATIONS AND DRAWING, THE SUTPHEN SPECIFICATIONS SHALL PREVAIL.

DRAWING IS FOR REFERENCE ONLY. SOME ITEMS PROPOSED MAY NOT BE SHOWN OR NOTED.

CUSTOMER APPROVAL

NAME: _____

TITLE: _____

DATE: _____

REV.	DESCRIPTION	BY	DATE

DRAWN BY: APF
 DATE: 10/21/22
 MFG. FACILITY: HILLIARD

LOVELAND SYMMES FIRE DEPARTMENT
 LOVELAND, OH

SLR75
 HS-7760

THIS PRINT IS PROVIDED ON A RESTRICTED BASIS AND IS NOT TO BE USED IN ANY WAY DETRIMENTAL TO THE INTEREST OF SUTPHEN CORPORATION.