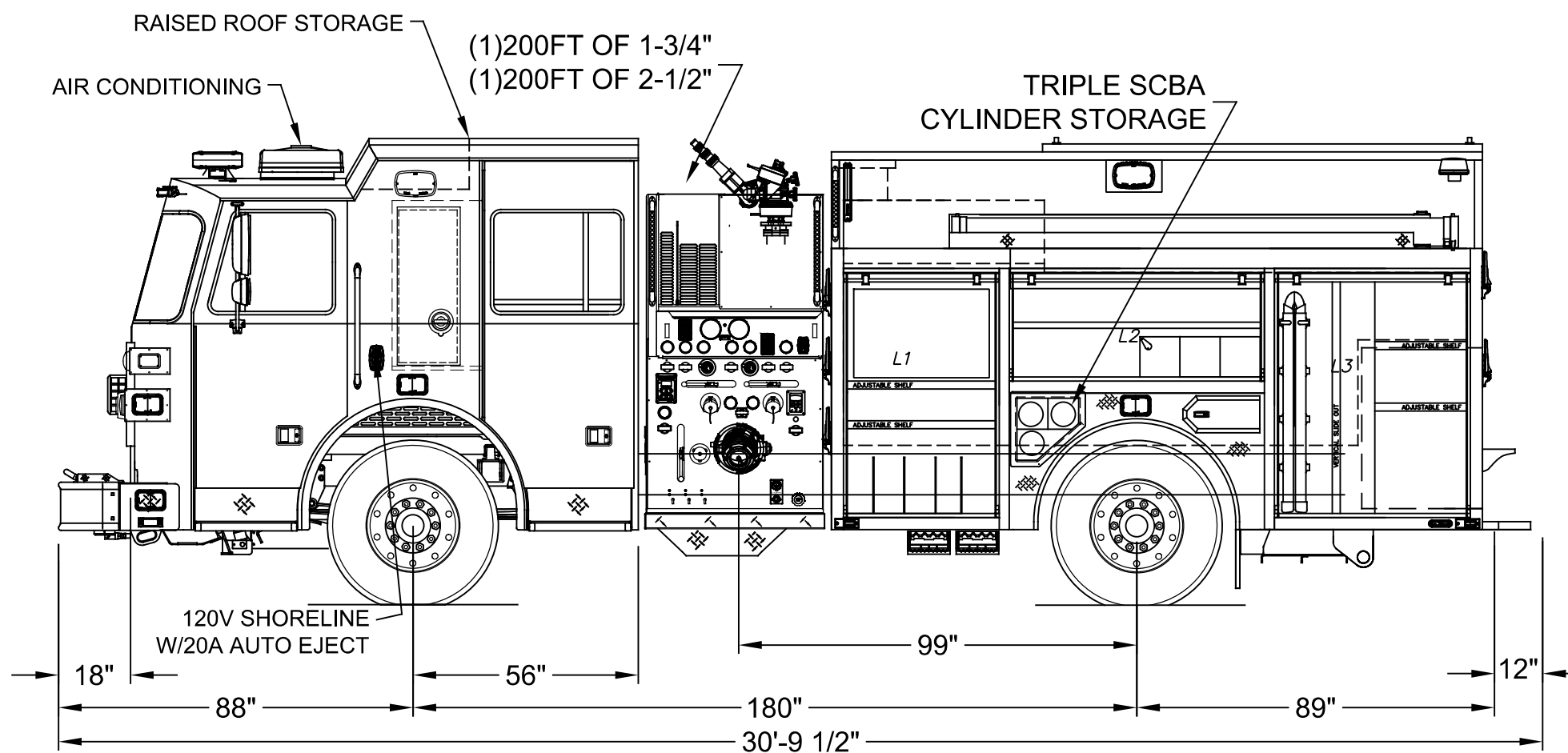
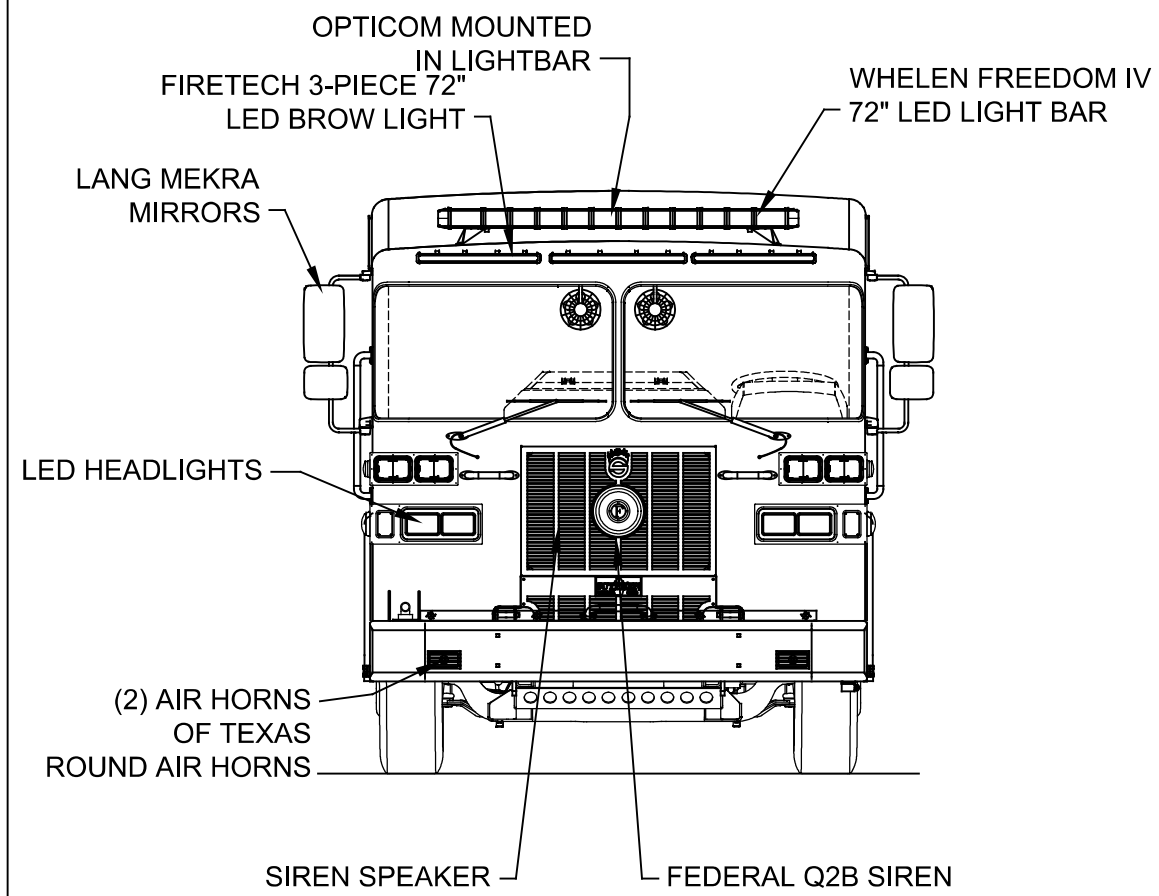
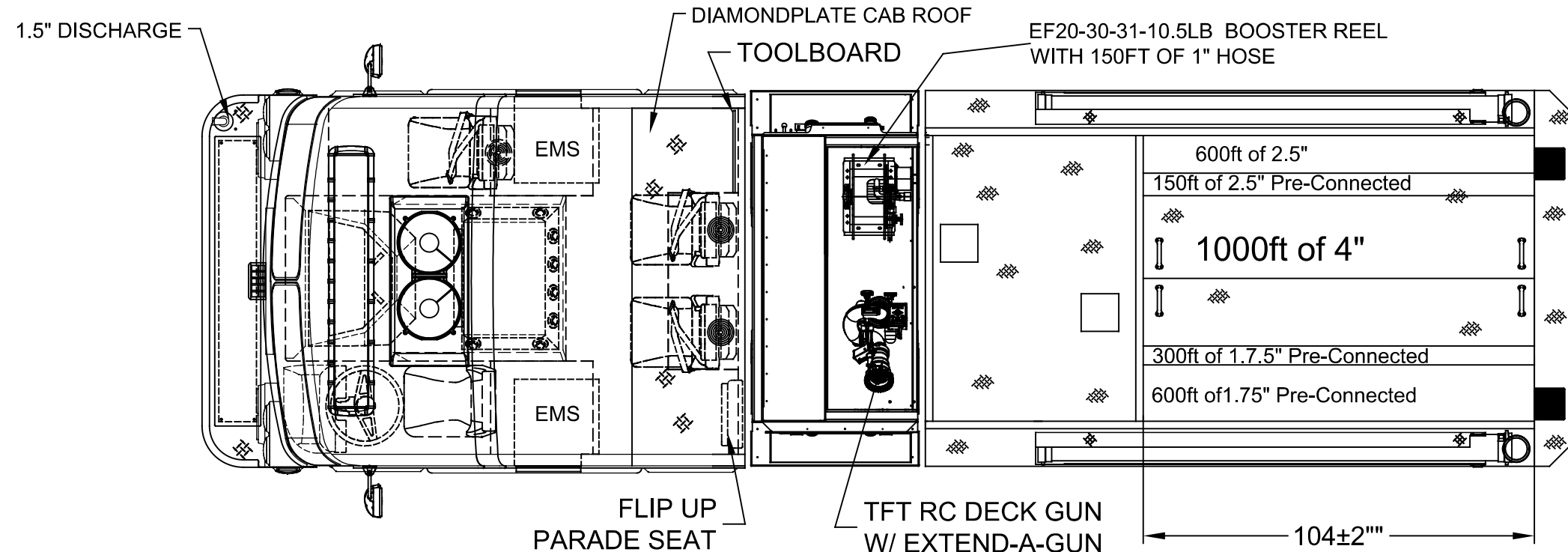
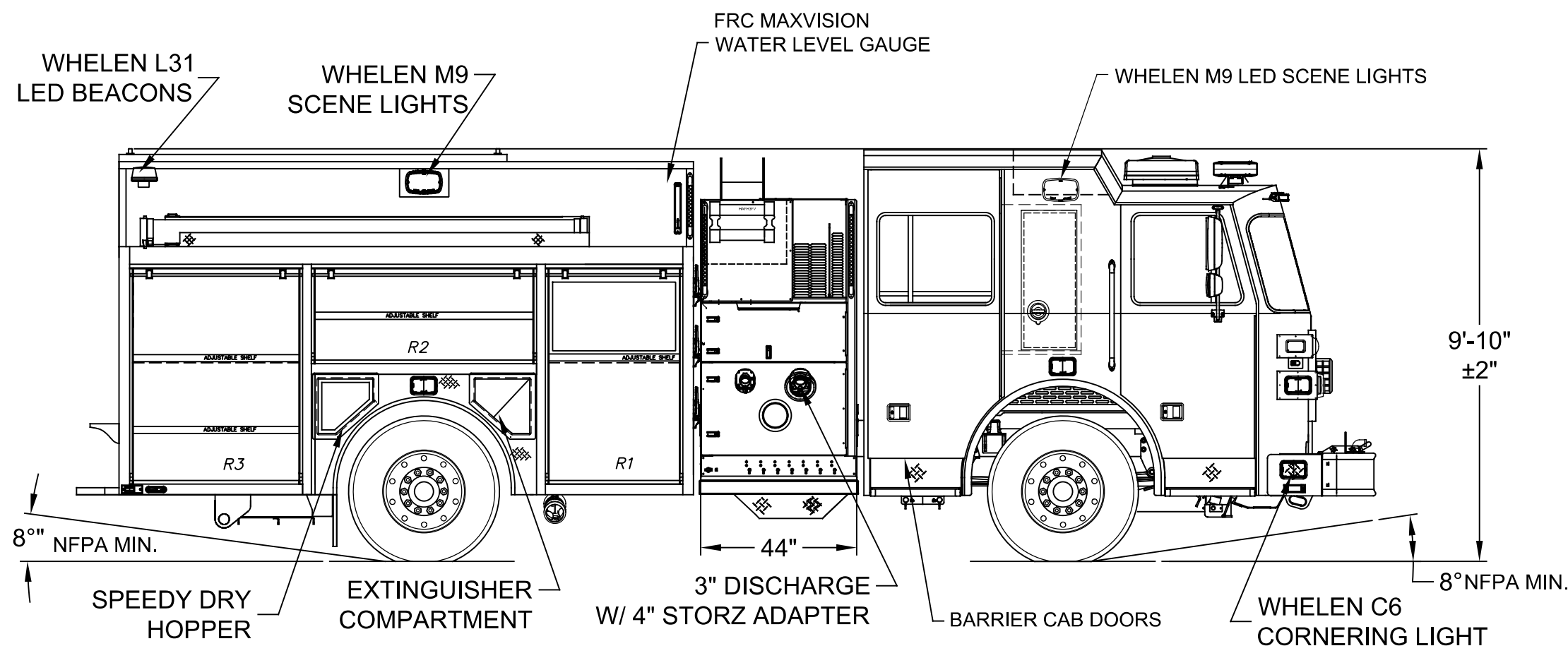


Left Side Compartmentation				
Compt	Doors	Opening Dimensions	Inside Dimensions	Volume
WxHxD				
L1	Roll-Up	36x56	43x66x27.25	40.8 CU FT
L2	Roll-Up	61.5x22	66x32x27.25	33.3 CU FT
L3	Roll-Up	46x56	53x66x27.25	55.2 CU FT
Right Side Compartmentation				
Compt	Doors	Opening Dimensions	Inside Dimensions	Volume
R1	Roll-Up	36x56	43x66x10.25/27.25	31.2 CU FT
R2	Roll-Up	61.5x22	66x32x10.25	12.5 CU FT
R3	Roll-Up	46x56	53x66x10.25/27.25	38.5 CU FT
Rear Compartmentation				
Compt	Doors	Opening Dimensions	Inside Dimensions	Volume
A1	Roll Up	35x30	42x40x28.25	27.5 CU FT
HALE QMAX 1500 GPM SINGLE STAGE 1000 GALLON WATER TANK AKRON EXTERNAL FOAM EDUCTOR 30 GALLON FOAM TANK CLASS B				Total Volume 239 CU Ft



DIMENSIONS SHOWN ON THIS DRAWING ARE APPROXIMATE AND ARE SUBJECT TO MINOR DEVIATIONS DURING CONSTRUCTION.	CUSTOMER APPROVAL				DRAWN BY: S.DORFMAN		 GARDNER FIRE DEPARTMENT GARDNER, MA
	IN THE EVENT OF A DISCREPANCY BETWEEN THE SUTPHEN SPECIFICATIONS AND DRAWING, THE SUTPHEN SPECIFICATIONS SHALL PREVAIL.	NAME: _____	C	CHANGE CENTER CONSOLE	SED	1-4-23	
DRAWING IS FOR REFERENCE ONLY. SOME ITEMS PROPOSED MAY NOT BE SHOWN OR NOTED.	TITLE: _____	B	CHANGE ORDER B	SED	3-2-23	MFG. FACILITY: EAST	PROGRAM ALUMINUM PUMPER - S2
	DATE: _____	A	CHANGE ORDER A	SED	1-24-23		DWG. NO.: HS-7602
		REV.	DESCRIPTION	BY	DATE		

THIS PRINT IS PROVIDED ON A RESTRICTED BASIS AND IS NOT TO BE USED IN ANY WAY DETRIMENTAL TO THE INTEREST OF SUTPHEN CORPORATION.