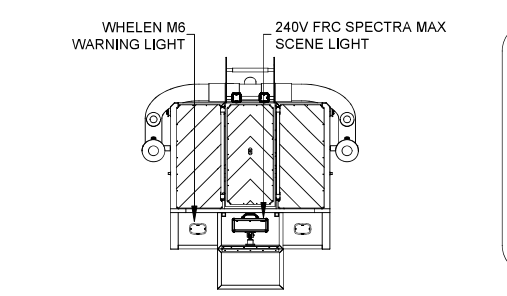
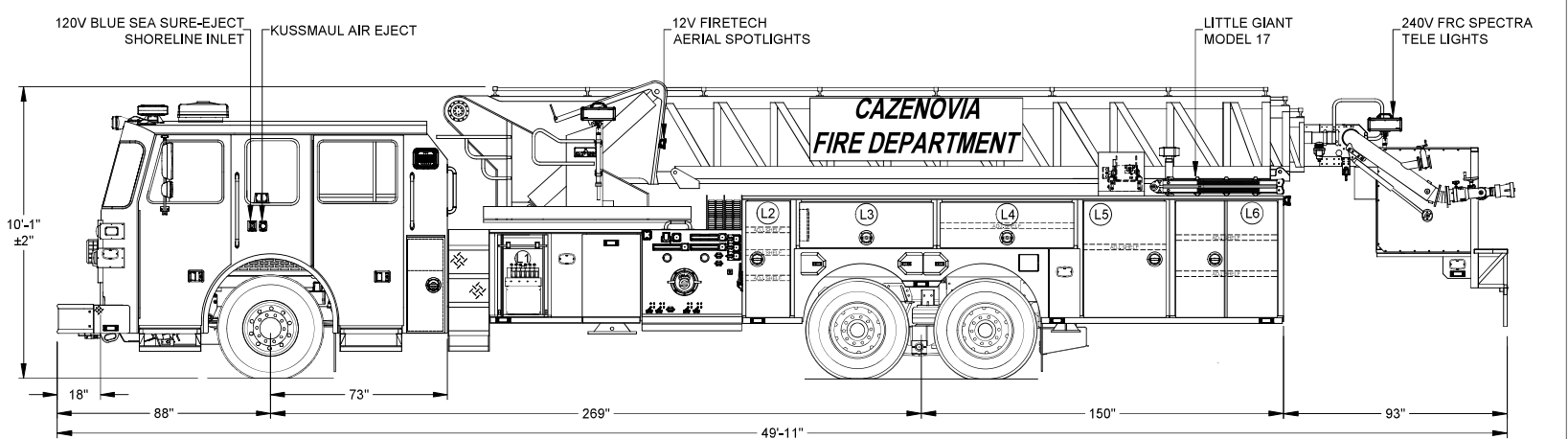
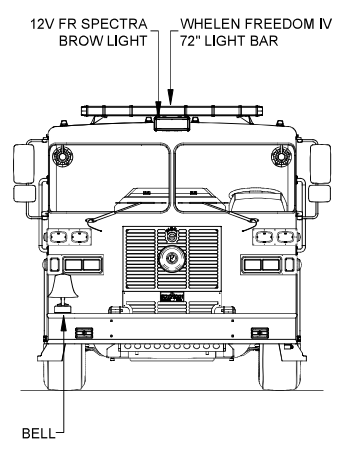
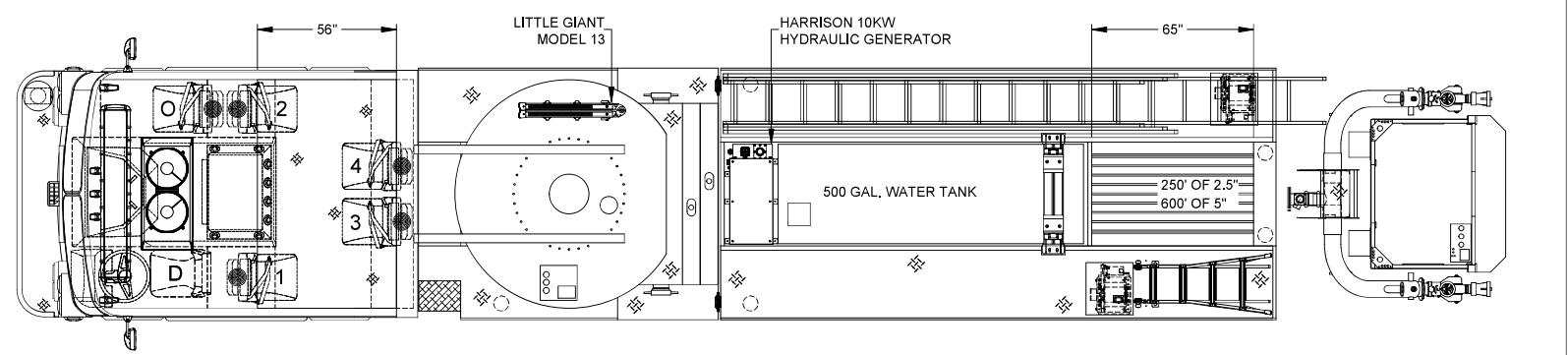


2.5" REAR DISCHARGE



SINGLE TONE CAB RED



DOOR OPENINGS			COMPARTMENT DIMENSIONS		
COMPT.	HEIGHT	WIDTH	HEIGHT	WIDTH	DEPTH
L1	31	19 3/4	34 3/8	26 5/8	26 1/2
L2	45 1/8	16 1/2	48 1/2	22	26 1/2
L3 & L4	16 5/8	52 1/4	19 1/8	57 3/4	26 1/2
L5	45 1/8	32 1/8	48 1/2	37 3/4	26 1/2
L6	45 1/8	39 7/8	48 1/2	45 3/4	26 1/2

DOOR OPENINGS			COMPARTMENT DIMENSIONS		
COMPT.	HEIGHT	WIDTH	HEIGHT	WIDTH	DEPTH
R1	31	36 3/4	34 3/8	42 1/2	26 1/2
R2	24 3/4	16 1/2	28	22	26 1/2
R5	24 3/4	32 1/8	28	37 3/4	26 1/2
R6	24 3/4	39 7/8	28	45 3/4	26 1/2

REAR COMPARTMENT					
DOOR OPENINGS			COMPARTMENT DIMENSIONS		
COMPT.	HEIGHT	WIDTH	HEIGHT	WIDTH	DEPTH
A1	15 3/4	27	14 1/4	25 1/2	88 3/4

DIMENSIONS SHOWN ON THIS DRAWING ARE APPROXIMATE AND ARE SUBJECT TO MINOR DEVIATIONS DURING CONSTRUCTION.

IN THE EVENT OF A DISCREPANCY BETWEEN THE SUTPHEN SPECIFICATIONS AND DRAWING, THE SUTPHEN SPECIFICATIONS SHALL PREVAIL.

DRAWING IS FOR REFERENCE ONLY, SOME ITEMS PROPOSED MAY NOT BE SHOWN OR NOTED.

CUSTOMER APPROVAL

NAME: _____

TITLE: _____

DATE: _____

REV.	DESCRIPTION	BY	DATE
J	REV-I SHOP ORDER/REFERENCE SHOP ORDER CHANGE DOCUMENT ON SHARED DRIVE	AM	11/04/2024
I	REV-H SHOP ORDER/REFERENCE SHOP ORDER CHANGE DOCUMENT ON SHARED DRIVE	AM	10/24/2024
H	REV-G SHOP ORDER/REFERENCE SHOP ORDER CHANGE DOCUMENT ON SHARED DRIVE	JNH	03/15/2024
G	REV-F SHOP ORDER/REFERENCE SHOP ORDER CHANGE DOCUMENT ON SHARED DRIVE	JNH	02/16/2024

AM	11/04/2024	DRAWN BY:	JLAMBERT
AM	10/24/2024	DATE:	10/25/2022
JNH	03/15/2024	MFG. FACILITY:	DUBLIN
JNH	02/16/2024		
BY	DATE		



THIS PRINT IS PROVIDED ON A RESTRICTED BASIS AND IS NOT TO BE USED IN ANY WAY DETRIMENTAL TO THE INTEREST OF SUTPHEN CORPORATION.

DWG. NO. HS-7699