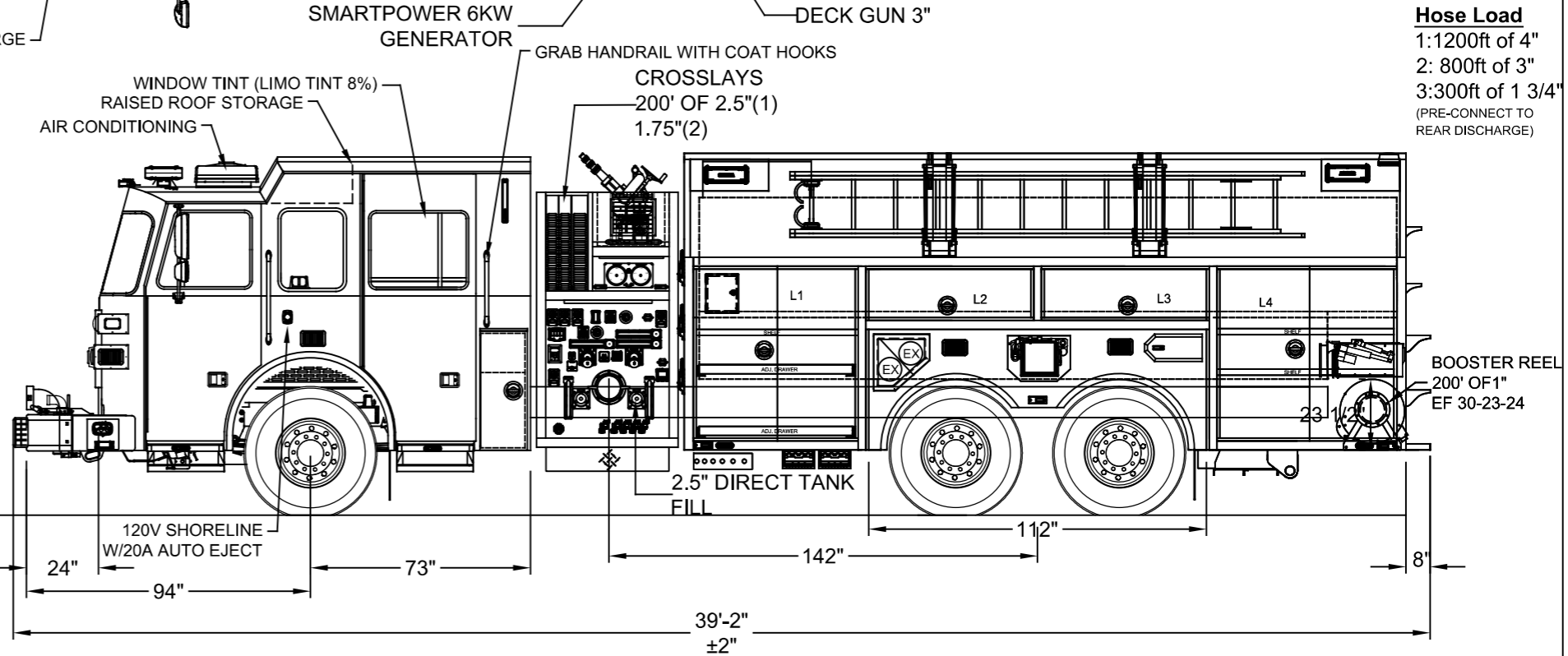
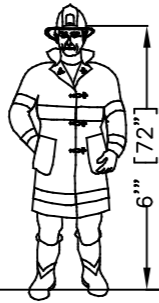
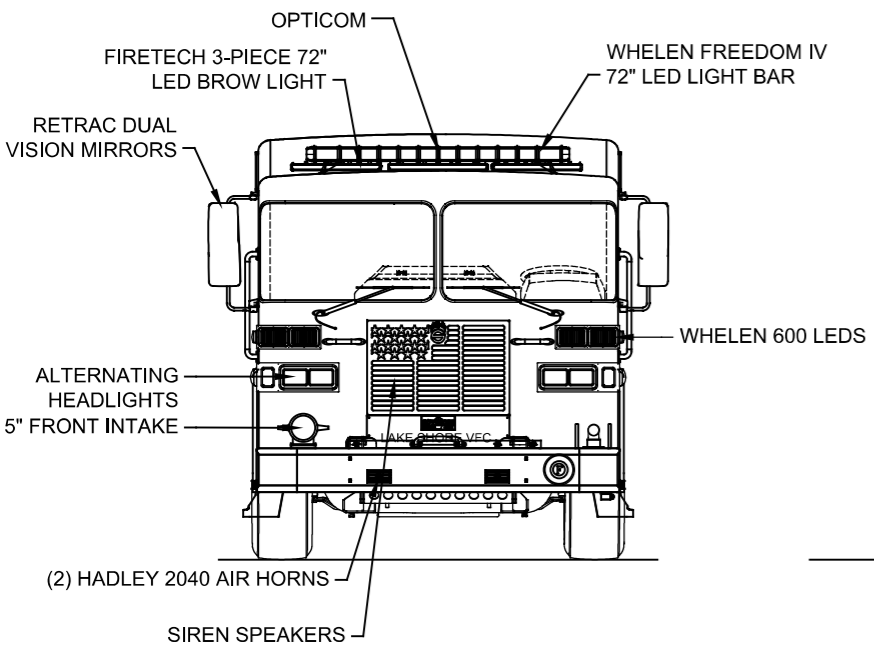
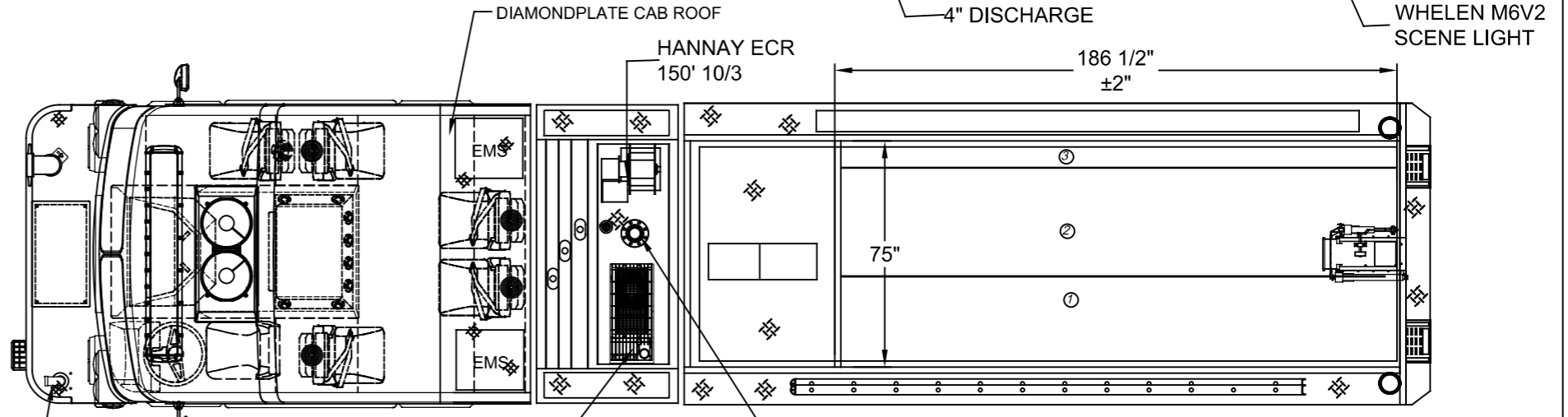


Left Side Compartmentation				
Compt	Doors	Opening Dimensions	Inside Dimensions	Volume
WxHxD				
L1	Hinge	52x54	59x60x24.25/10.25	40.1 CU FT
L2	Hinge	51x14	58.25x20x10.25	6.9 CU FT
L3	Hinge	51x14	58.25x20x10.25	6.9 CU FT
L4	Hinge	57x54	64x60x24.25/10.25	43.1 CU FT
Right Side Compartmentation				
Compt	Doors	Opening Dimensions	Inside Dimensions	Volume
R1	Hinge	52x54	59x60x24.25/10.25	40.1 CU FT
R2	Hinge	51x14	58.25x20x10.25	6.9 CU FT
R3	Hinge	51x14	58.25x20x10.25	6.9 CU FT
R4	Hinge	57x54	64x60x24.25/10.25	43.1 CU FT
		Total Volume		197.2 CU Ft

- LADDER RACK
24' 2 SEC
14' ROOF
10' FOLDING
- CHUTE
14' 6" HARD SUCTION
3 PIKE POLES (6' (2), 10' (1))
- SCBA COMPARTMENT
LF: FIRE EXTINGUISHER(2) 10LBS
RF: DOUBLE (FUEL AND SCBA COMBO)
RFF: TRIPLE SCBA
RRF: TRIPLE SCBA



Hose Load
 1: 1200ft of 4"
 2: 800ft of 3"
 3: 300ft of 1 3/4"
 (PRE-CONNECT TO REAR DISCHARGE)

DIMENSIONS SHOWN ON THIS DRAWING ARE APPROXIMATE AND ARE SUBJECT TO MINOR DEVIATIONS DURING CONSTRUCTION.

IN THE EVENT OF A DISCREPANCY BETWEEN THE SUTPHEN SPECIFICATIONS AND DRAWING, THE SUTPHEN SPECIFICATIONS SHALL PREVAIL.

DRAWING IS FOR REFERENCE ONLY. SOME ITEMS PROPOSED MAY NOT BE SHOWN OR NOTED.

CUSTOMER APPROVAL

NAME: _____

TITLE: _____

DATE: _____

REV.	DESCRIPTION	BY	DATE
REV B	WHEEL CHANGED TO ALCOA	RR	05/14/24
REV A	CHANGES FROM PRE-CON	RR	03/20/23

DRAWN BY:
RAGHU

DATE:
4/11/22

MFG. FACILITY:
SUTPHEN EAST LAKE ARIEL, PA

LAKE SHORE FIRE DEPARTMENT
PASADENA, MD

CUSTOM DRY SIDE TANKER - TA-05

DWG. NO.: HS-7736