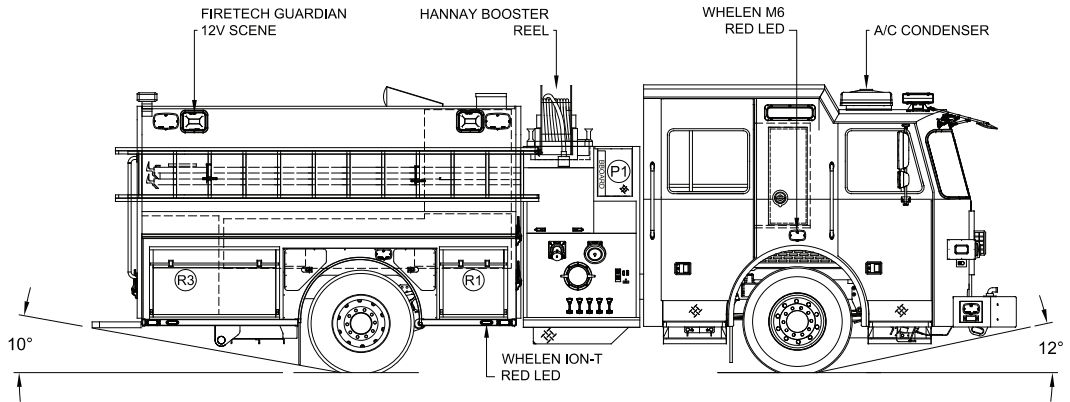


HOSE LOAD
 200' OF 1.88"
 200' OF 1.88"
 250' OF 1.88"
 200' OF 2.5"
 600' OF 2.5"
 1000' OF 5"

LADDER BRACKETS
 24'-2 SEC
 14' ROOF
 (2) PIKE POLES



LEFT SIDE COMPARTMENTS				
COMPT	DOORS	OPENING DIMENSIONS	INSIDE DIMENSIONS	VOLUME
P1	SWING	14.5"w X 18.5"h	15"w X 19"h X 70.0"d	11.5 CU. FT.
L1	ROLL-UP	25.5"w X 61.4"h	31.1"w X 72"h X 27.3"d	25.7 CU. FT.
L2	ROLL-UP	57.5"w X 32.2"h	61.6"w X 42.8"h X 12"d	18.3 CU. FT.
L3	ROLL-UP	50.5"w X 61.4"h	53.4"w X 72"h X 27.3"d	44 CU. FT.

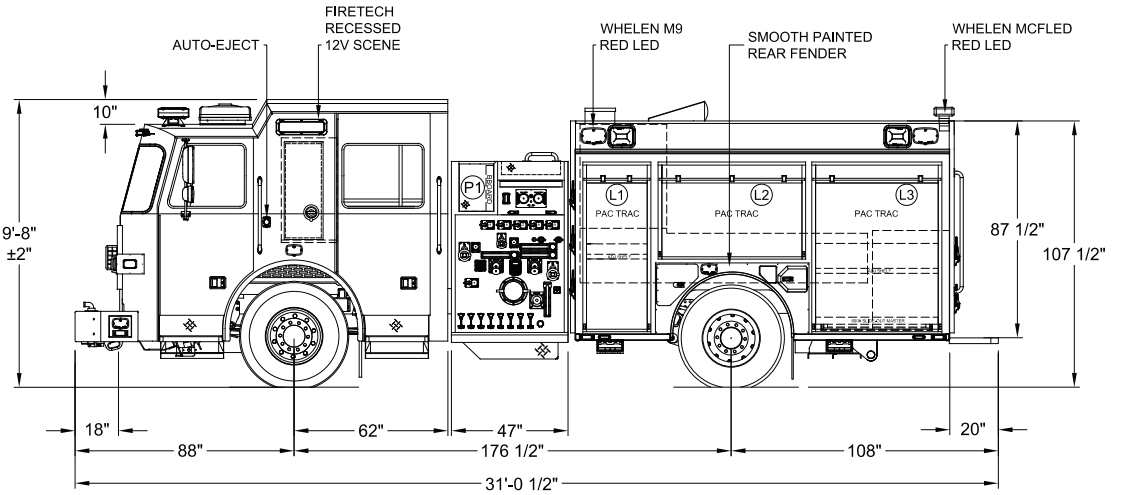
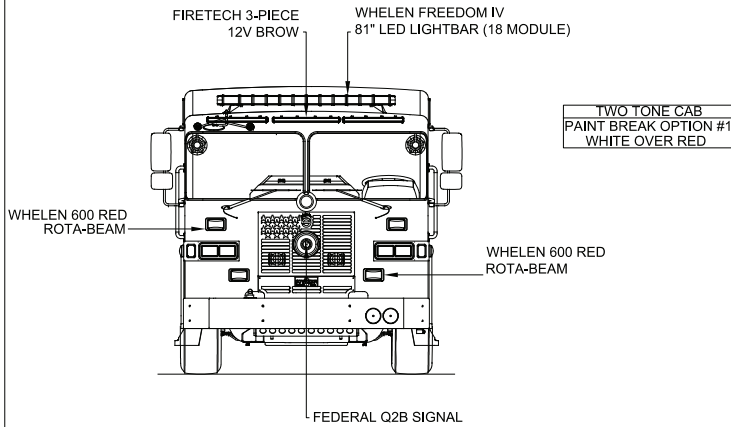
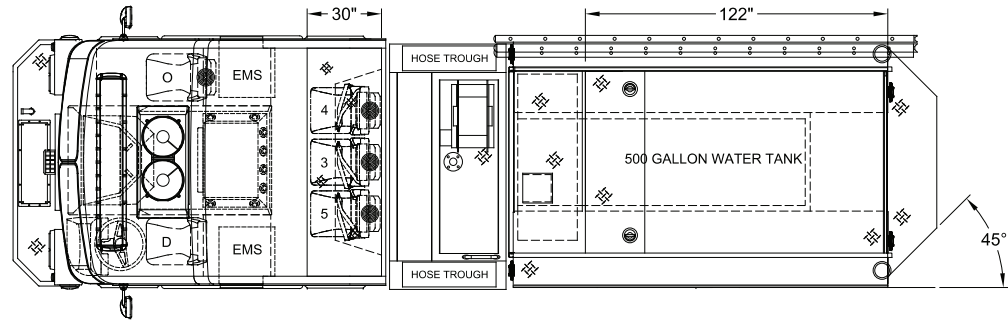
UPPER DIMENSIONS: 35" X 12"D

RIGHT SIDE COMPARTMENTS				
COMPT	DOORS	OPENING DIMENSIONS	INSIDE DIMENSIONS	VOLUME
R1	ROLL-UP	25.5"w X 26.4"h	31.1"w X 30"h X 27.3"d	14.7 CU. FT.
R3	ROLL-UP	50.5"w X 26.4"h	53.4"w X 30"h X 27.3"d	25.3 CU. FT.

UPPER DIMENSIONS: 35" X 12"D

REAR STEP COMPARTMENT				
COMPT	DOORS	OPENING DIMENSIONS	INSIDE DIMENSIONS	VOLUME
A1	ROLL UP	37.0"w X 27.8"h	40"w X 37"h X 31"d	26.6 CU. FT.

TOTAL: 166.1 CU.FT.



DIMENSIONS SHOWN ON THIS DRAWING ARE APPROXIMATE AND ARE SUBJECT TO MINOR DEVIATIONS DURING CONSTRUCTION.

IN THE EVENT OF A DISCREPANCY BETWEEN THE SUTPHEN SPECIFICATIONS AND DRAWING, THE SUTPHEN SPECIFICATIONS SHALL PREVAIL.

DRAWING IS FOR REFERENCE ONLY, SOME ITEMS PROPOSED MAY NOT BE SHOWN OR NOTED.

CUSTOMER APPROVAL

NAME: _____

TITLE: _____

DATE: _____

REV.	DESCRIPTION	BY	DATE
N	REFERENCE SHOP ORDER REVISION EMAIL	TF	07/25/24
M	REFERENCE SHOP ORDER REVISION EMAIL	TF	07/01/24
L	REFERENCE SHOP ORDER REVISION EMAIL	TF	06/17/24
K	REFERENCE SHOP ORDER REVISION EMAIL	TF	05/06/24

DRAWN BY: T.FAHOUM

DATE: 09/22/21

MFG. FACILITY: URBANA

WINSTON SALEM FIRE DEPARTMENT
 WINSTON-SALEM, NC

CUSTOM PUMPER - PA-11

HS-7281-82