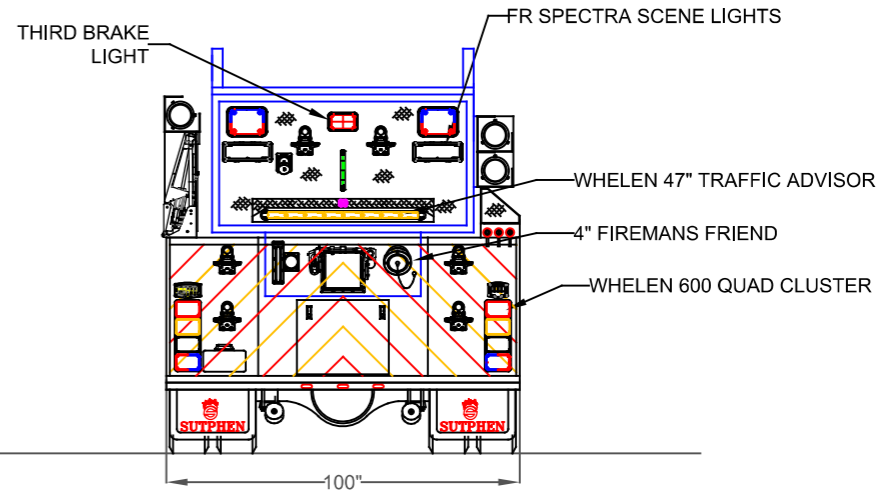
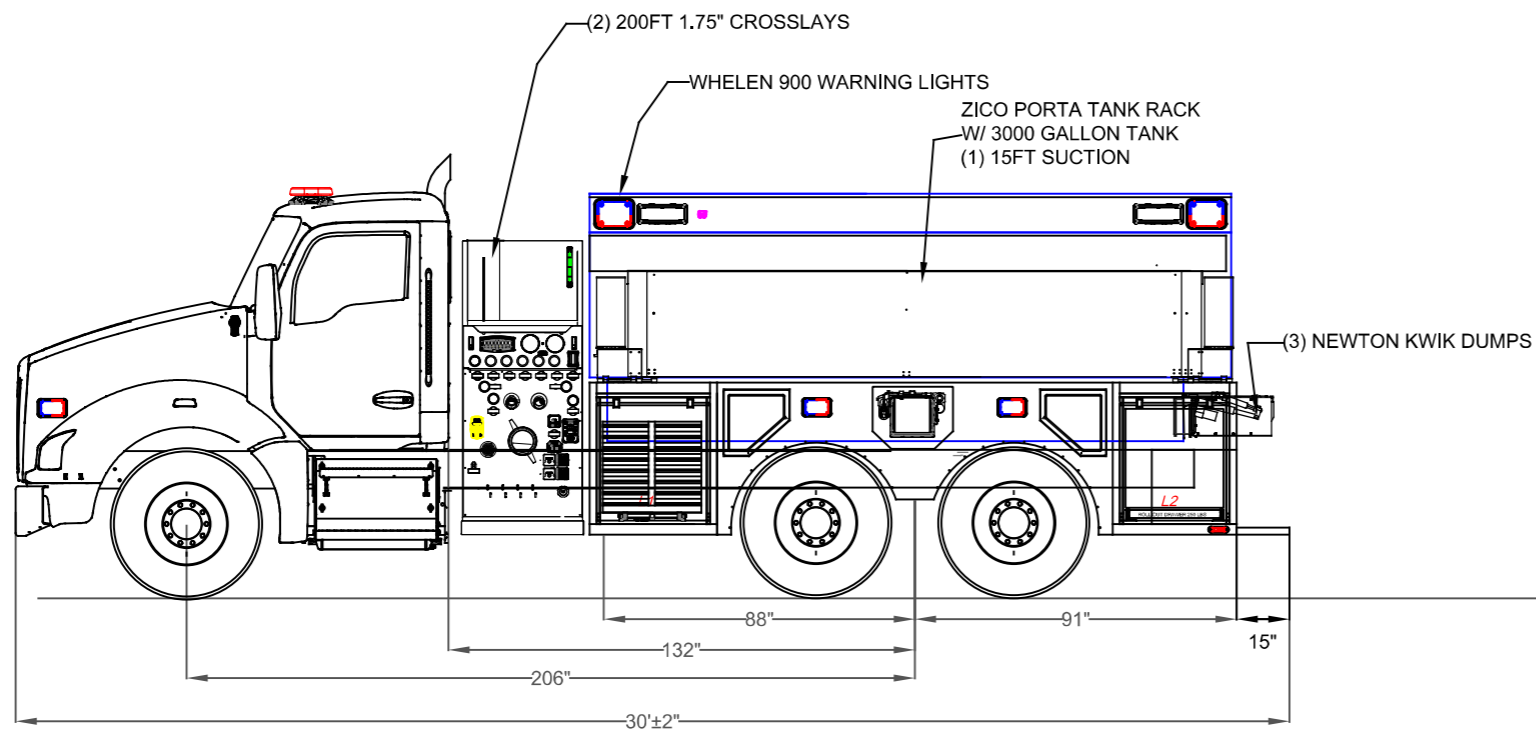


Left Side Compartmentation				
Comp	Doors	Opening Dimensions	Inside Dimensions	Volume
L1	Roll Up	29x29	36x39x24.25	19.7 CU FT
L2	Roll Up	28x29	35x39x24.25	19.2 CU FT
Right Side Compartmentation				
Comp	Doors	Opening Dimensions	Inside Dimensions	Volume
R1	Roll Up	29x29	36x39x24.25	19.7 CU FT
R2	Roll Up	28x29	35x39x24.25	19.2 CU FT
T1	Roll Up	40x24.5	47.5x34.5x10.75	9 CU FT
Rear Compartmentation				
Comp	Doors	Opening Dimensions	Inside Dimensions	Volume
A1	Drop Down	26x21	26x21x24	19.7 CU FT

Hale Qmax XS 1500 GPM
 Water Tank Capacity 2500 gal

Total Volume	86.6 CU Ft
--------------	------------



DIMENSIONS SHOWN ON THIS DRAWING ARE APPROXIMATE AND ARE SUBJECT TO MINOR DEVIATIONS DURING CONSTRUCTION.	CUSTOMER APPROVAL						DRAWN BY: J. GORDON	SUTPHEN EAST 55 INNOVATION DRIVE LAKE ARIEL, PA 1-844-776-2889
	IN THE EVENT OF A DISCREPANCY BETWEEN THE SUTPHEN SPECIFICATIONS AND DRAWING, THE SUTPHEN SPECIFICATIONS SHALL PREVAIL.	NAME:					DATE: 06/23/2022	
DRAWING IS FOR REFERENCE ONLY. SOME ITEMS PROPOSED MAY NOT BE SHOWN OR NOTED.	TITLE:			A CHANGES FROM PRE-CON		JVG 07/28/2022	MFG. FACILITY: SUTPHEN EAST LAKE ARIEL, PA	COMMERCIAL STS WETSID TANKER
	DATE:			REV. DESCRIPTION		BY DATE		DWG. NO.: HS 7608
THIS PRINT IS PROVIDED ON A RESTRICTED BASIS AND IS NOT TO BE USED IN ANY WAY DETRIMENTAL TO THE INTEREST OF SUTPHEN CORPORATION.								