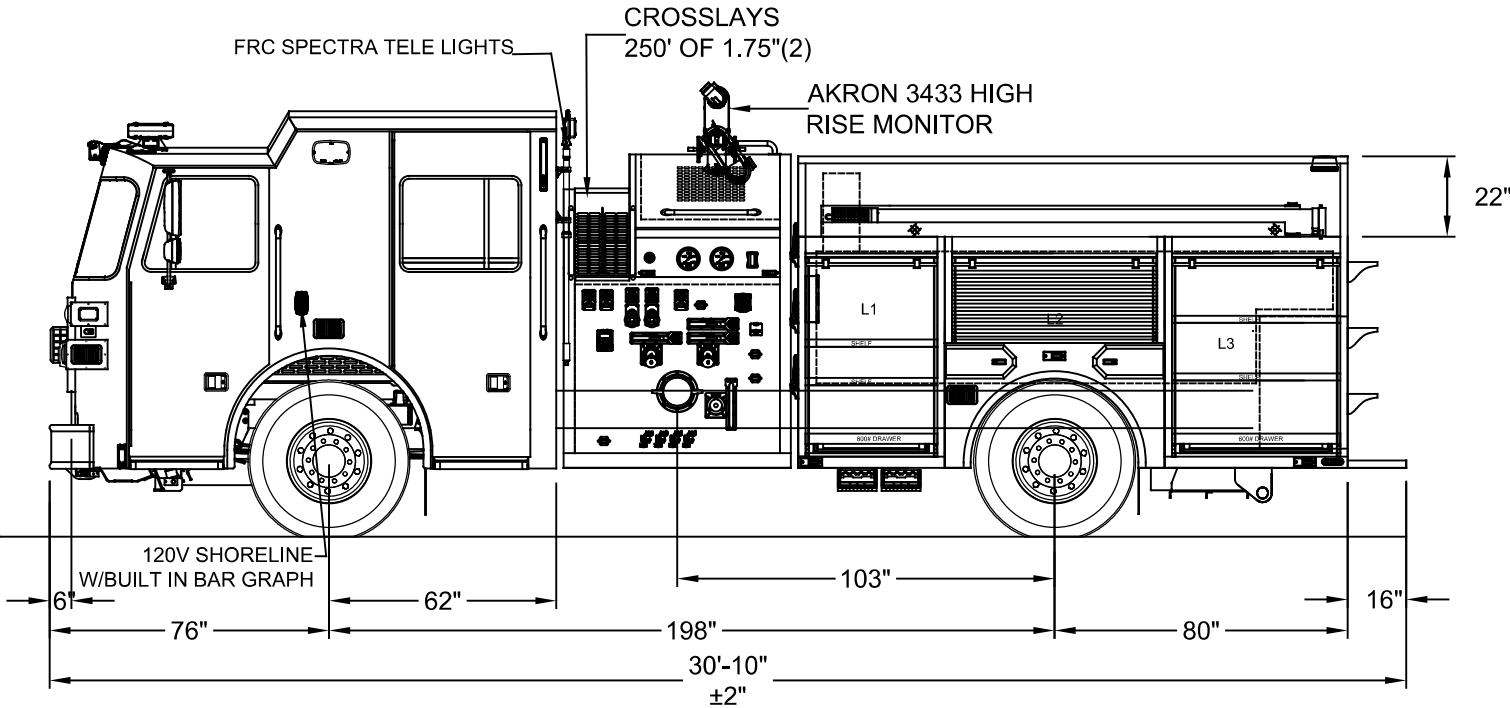
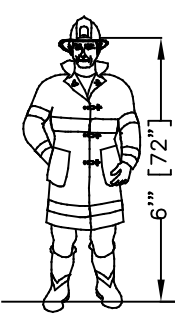
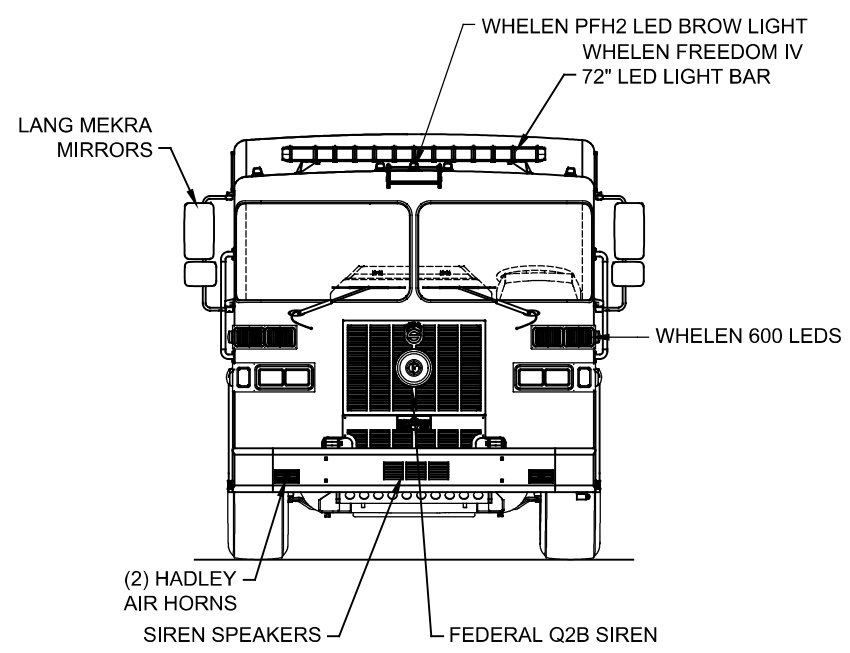


Hose Load
 1:200ft of 1 3/4"
 2:200ft of 2 1/2" PRECONNECT TO LEFT REAR DISCHARGE
 3:1000ft of 4"
 4:300ft of 2"

| Left Side Compartmentation | | | | |
|-----------------------------|---------|--------------------|-------------------|-------------|
| Compt | Doors | Opening Dimensions | Inside Dimensions | Volume |
| WxHxD | | | | |
| L1 | Roll Up | 33x49 | 40x59x24.25 | 33.1 CU FT |
| L2 | Roll Up | 53x18 | 60x28x10.25 | 23.6 CU FT |
| L3 | Roll Up | 43x49 | 50x59x24.25 | 41.4 CU FT |
| Right Side Compartmentation | | | | |
| Compt | Doors | Opening Dimensions | Inside Dimensions | Volume |
| WxHxD | | | | |
| R1 | Roll Up | 33x49 | 40x59x24.25/10.25 | 24.0 CU FT |
| R2 | Roll Up | 53x18 | 60x28x10.25 | 10.0 CU FT |
| R3 | Roll Up | 43x49 | 50x59x24.25/10.25 | 30.1 CU FT |
| Rear Compartmentation | | | | |
| Compt | Doors | Opening Dimensions | Inside Dimensions | Volume |
| WxHxD | | | | |
| A1 | Roll Up | 44x26 | 48x36x22.25 | 22.25 CU FT |
| Total Volume | | | | 184.4 CU Ft |

SCBA
 LFF: DOUBLE
 LRF: SINGLE AND FUEL
 RFF: DOUBLE
 RRF: DOUBLE
 LADDER CHUTE
 24' 2 SEC
 14' ROOF
 10' FOLDING
 PIKE POLES(3)

HALE Q-MAX 1500 GPM SS
 750 GAL WATER



DIMENSIONS SHOWN ON THIS DRAWING ARE APPROXIMATE AND ARE SUBJECT TO MINOR DEVIATIONS DURING CONSTRUCTION.
 IN THE EVENT OF A DISCREPANCY BETWEEN THE SUTPHEN SPECIFICATIONS AND DRAWING, THE SUTPHEN SPECIFICATIONS SHALL PREVAIL.
 DRAWING IS FOR REFERENCE ONLY. SOME ITEMS PROPOSED MAY NOT BE SHOWN OR NOTED.

CUSTOMER APPROVAL

NAME: _____
 TITLE: _____
 DATE: _____

| REV. | DESCRIPTION | BY | DATE |
|-------|----------------------|----|----------|
| REV A | GRAPHICS | RR | 05/02/24 |
| REV A | CHANGES FROM PRE-CON | RR | 11/22/22 |

DRAWN BY:
 RAGHU
 DATE:
 5/20/22
 MFG. FACILITY:
 SUTPHEN EAST
 LAKE ARIEL, PA

NAHANT FIRE DEPARTMENT
 NAHANT, NY
 CUSTOM STAINLESS PUMPER - PS-05
 DWG. NO.: HS-7582