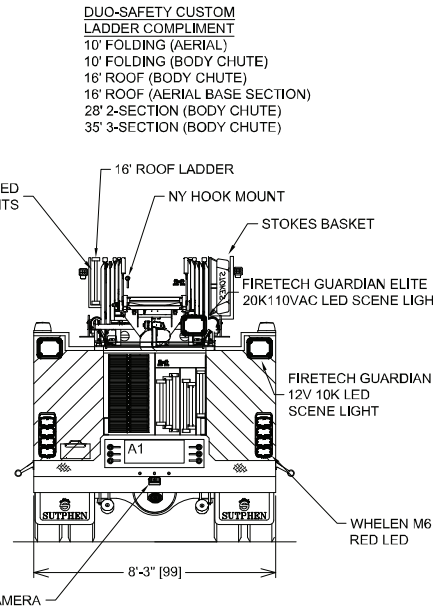
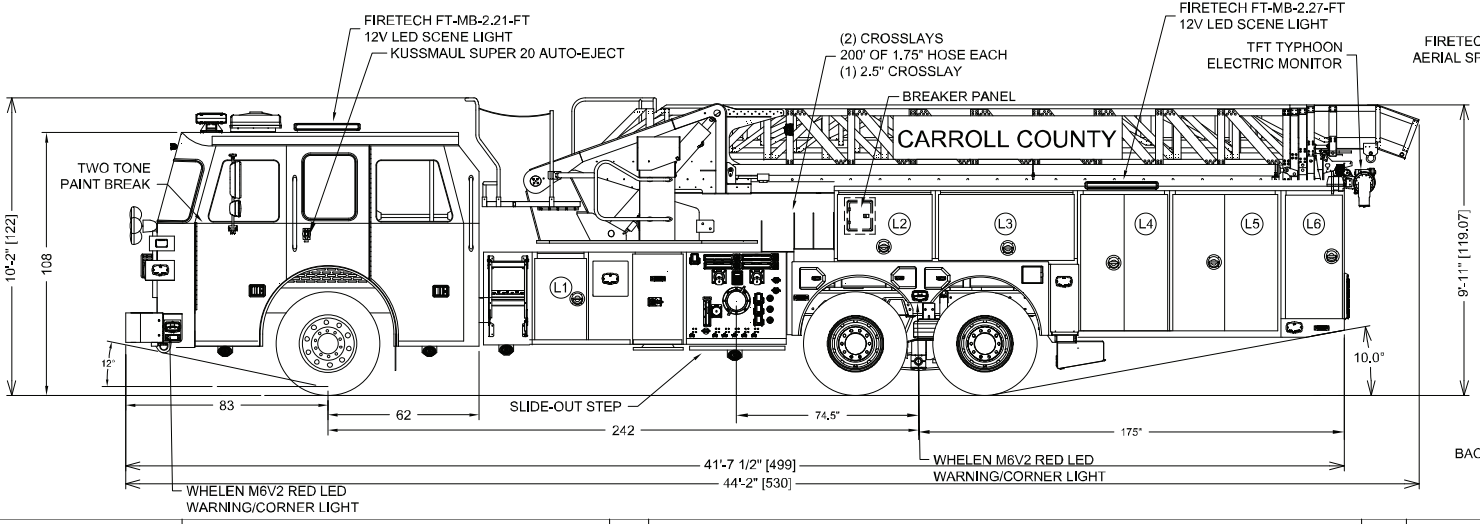
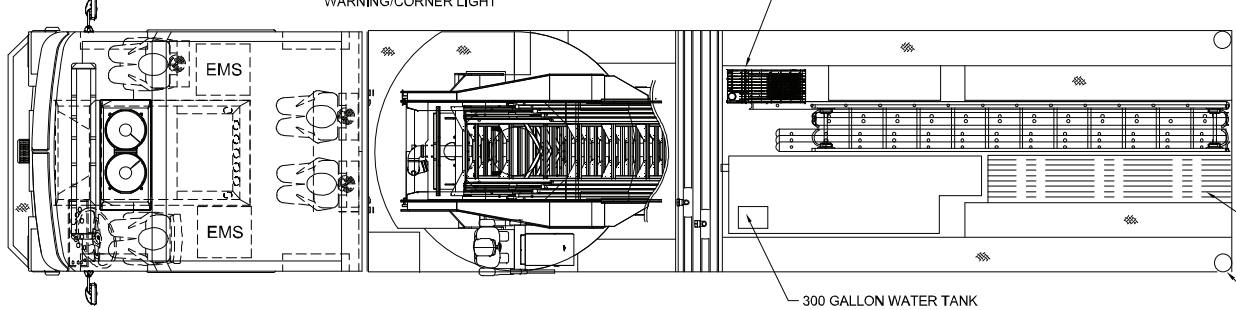
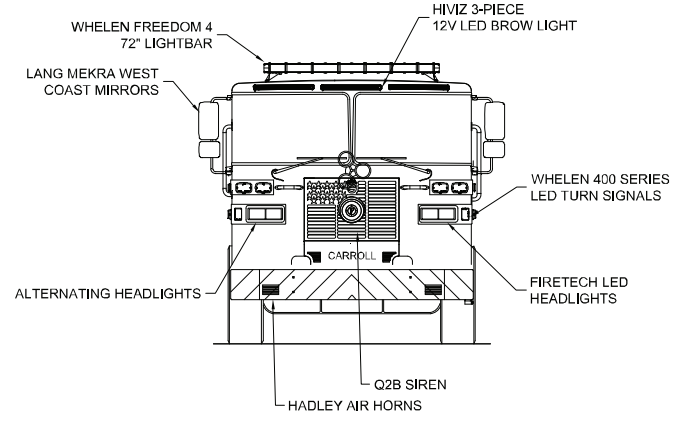
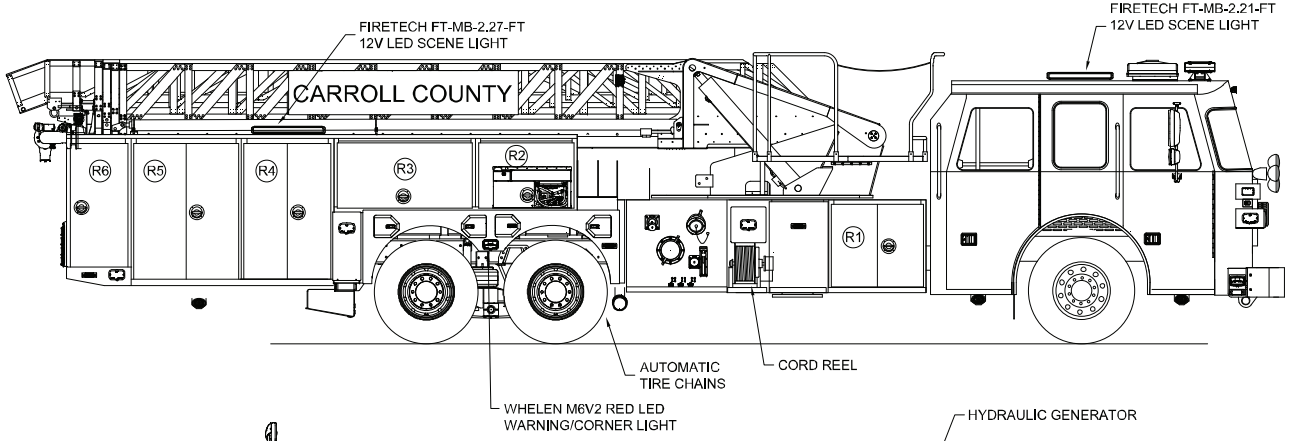


COMPT	DOORS	OPENING DIMENSIONS	INSIDE DIMENSIONS	VOLUME
L1	HINGED	16.75"W x 18.75"H	HYDRAULICS & WHEELCHOCKS	N/A
L2	HINGED	32.75"W x 24.00"H	41.25"W x 28.25"H x 12"D	8.09 CU. FT.
L3	HINGED	48.25"W x 24.00"H	57.75"W x 28.25"H x 12"D	11.33 CU. FT.
L4	HINGED	31.25"W x 43.00"H	37.75"W x 52.50"H x 26.50"D	30.33 CU. FT.
L5	HINGED	38.00"W x 43.00"H	45.00"W x 52.50"H x 26.50"D	39.83 CU. FT.
L6	HINGED	16.00"W x 37.75"H	22.50"W x 47.25"H x 26.50"D	16.30 CU. FT.

COMPT	DOORS	OPENING DIMENSIONS	INSIDE DIMENSIONS	VOLUME
R1	HINGED	34.25"W x 19.25"H	40.75"W x 38.43"H x 23.00"D	20.84 CU. FT.
R2	HINGED	32.75"W x 18.75"H	41.25"W x 29.34"H x 12.00"D	8.40 CU. FT.
R3	HINGED	48.25"W x 18.75"H	57.75"W x 23.50"H x 12.00"D	9.42 CU. FT.
R4	HINGED	31.25"W x 43.00"H	37.75"W x 52.50"H x 26.50"D	30.39 CU. FT.
R5	HINGED	38.00"W x 43.00"H	45.00"W x 52.50"H x 26.50"D	39.83 CU. FT.
R6	HINGED	16.00"W x 37.75"H	22.50"W x 47.25"H x 26.50"D	16.30 CU. FT.
A1	HINGED	25.00"W x 9.50"H	25.00"W x 9.50"H x 88.00"D	12.09 CU. FT.
TOTAL VOLUME				236 CU. FT.



DIMENSIONS SHOWN ON THIS DRAWING ARE APPROXIMATE AND ARE SUBJECT TO MINOR DEVIATIONS DURING CONSTRUCTION.

IN THE EVENT OF A DISCREPANCY BETWEEN THE SUTPHEN SPECIFICATIONS AND DRAWING, THE SUTPHEN SPECIFICATIONS SHALL PREVAIL.

DRAWING IS FOR REFERENCE ONLY. SOME ITEMS PROPOSED MAY NOT BE SHOWN OR NOTED.

**CUSTOMER APPROVAL**

NAME: \_\_\_\_\_

TITLE: \_\_\_\_\_

DATE: \_\_\_\_\_

REV.	DESCRIPTION	BY	DATE
A	REVISED AFTER PRE-CON MEETING	CAM	12/21/2022

THIS PRINT IS PROVIDED ON A RESTRICTED BASIS AND IS NOT TO BE USED IN ANY WAY DETRIMENTAL TO THE INTEREST OF SUTPHEN CORPORATION.

DRAWN BY: CAM  
DATE: 11/21/2022  
MPS FACILITY: HILLIARD

**SUTPHEN**

CARROLL COUNTY FIRE DEPT  
CARROLL COUNTY, GA

SL100  
HS-7622