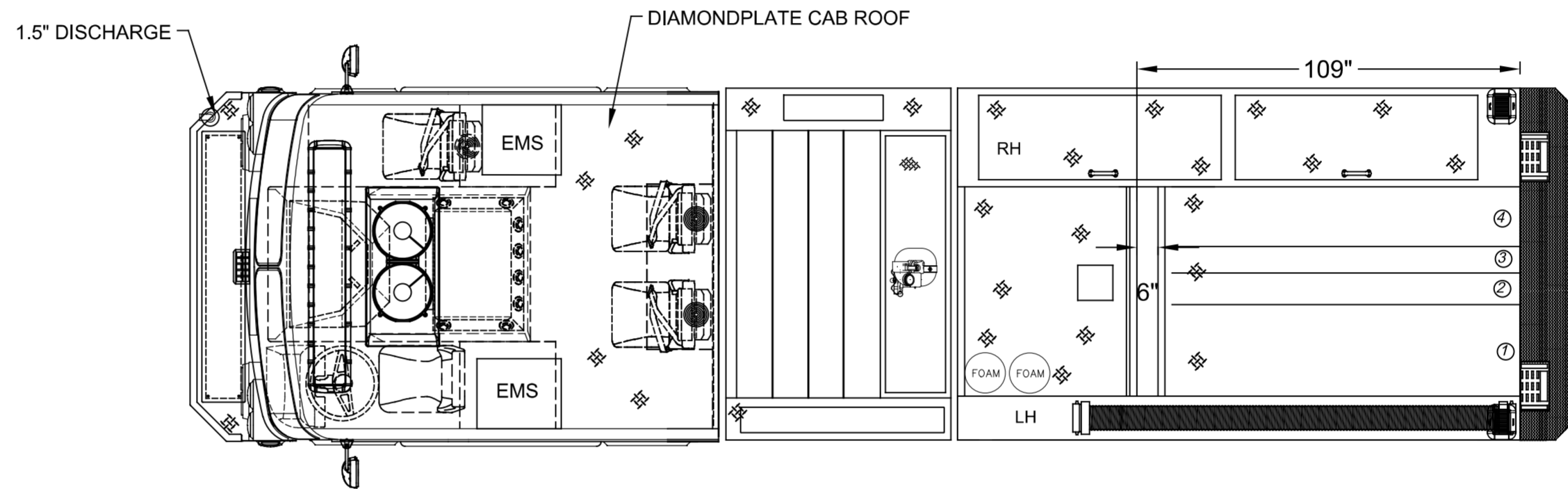
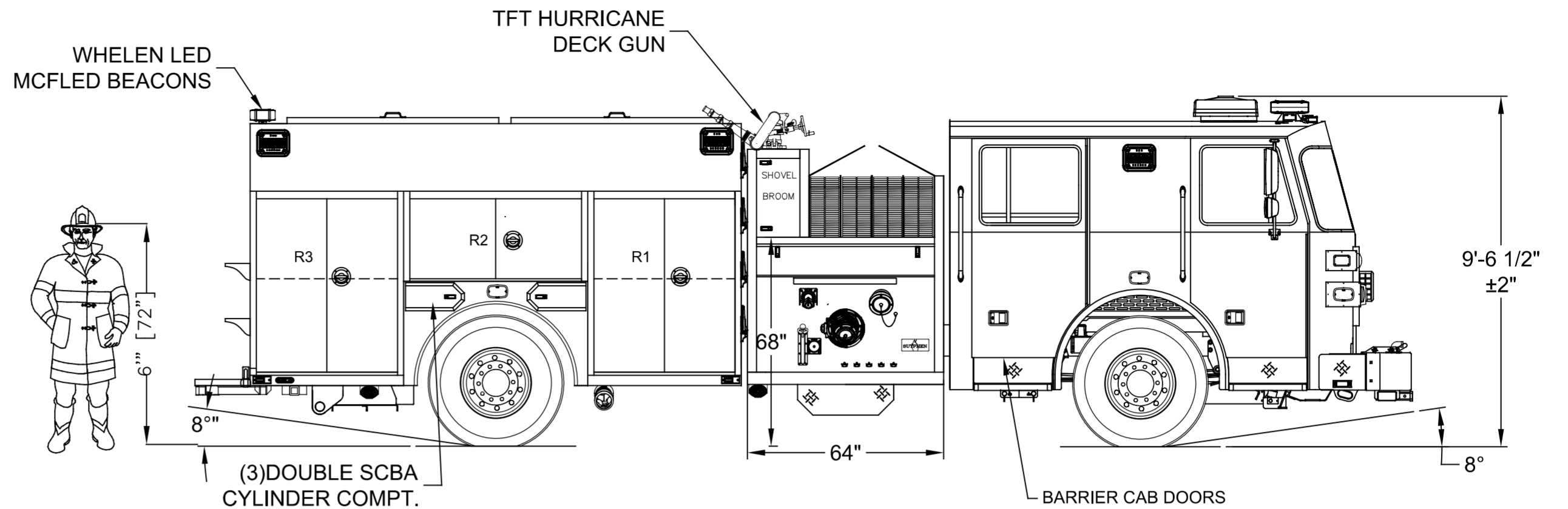
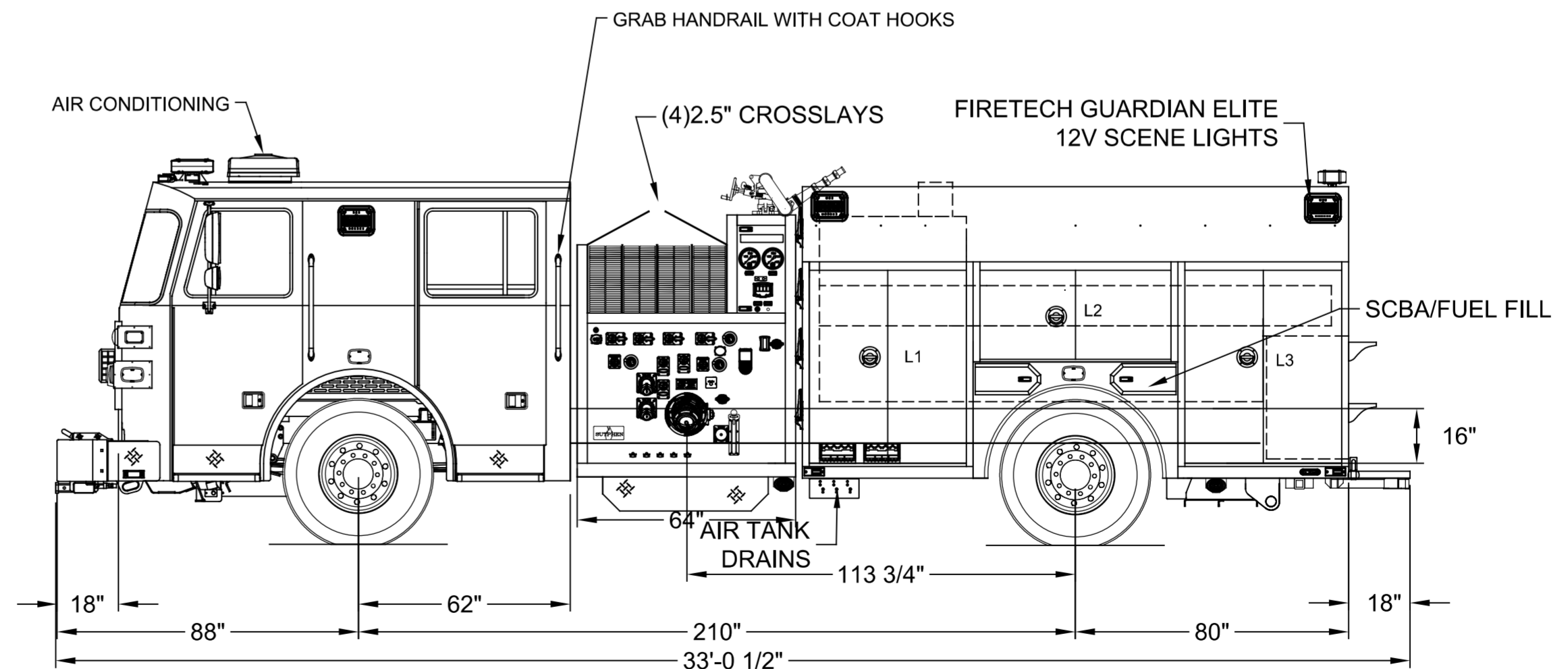
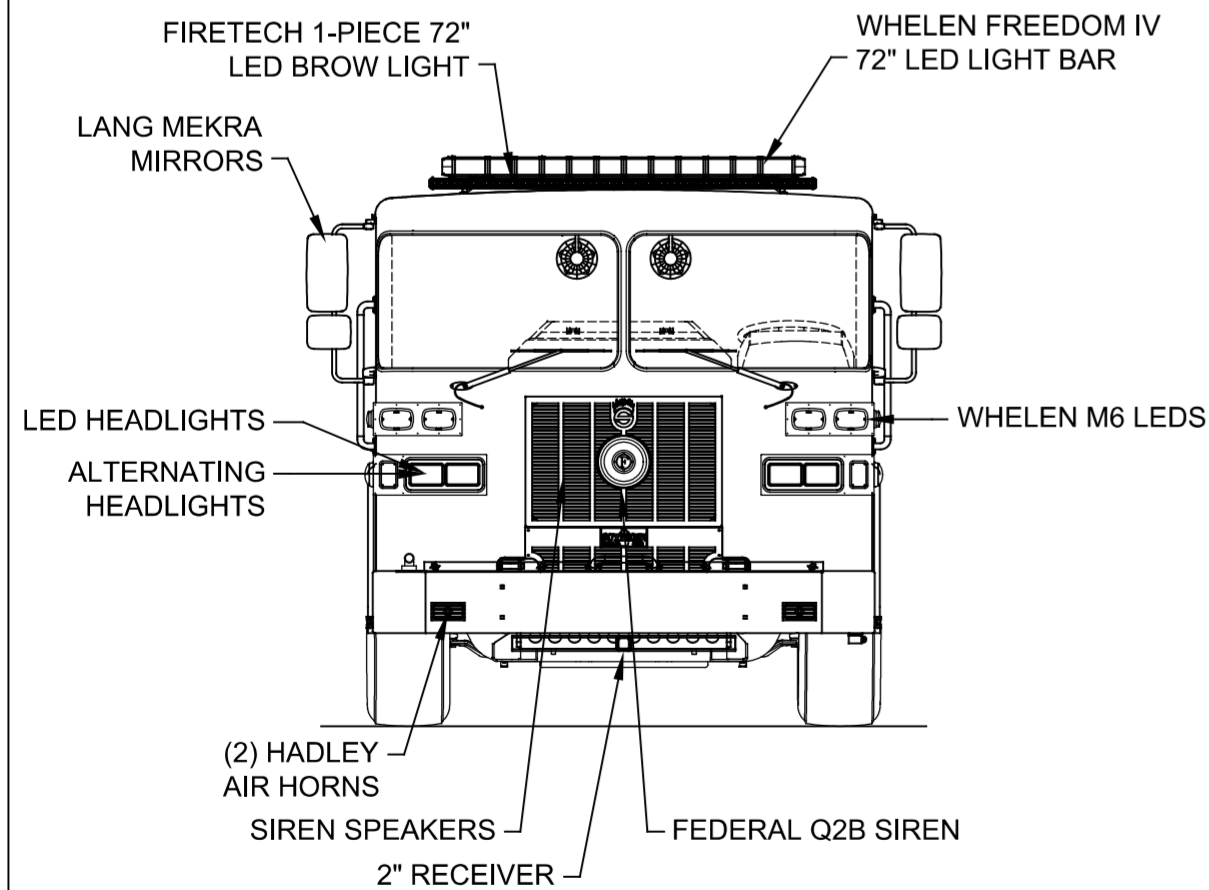


Left Side Compartmentation				
Compt	Doors	Opening Dimensions	Inside Dimensions	Volume
L1	HINGE	43x54	50x59x26.25	44 CU FT
L2	HINGE	53x23	60x28x26.25	25.5 CU FT
L3	HINGE	43x54	50x59x26.25	44 CU FT
Right Side Compartmentation				
Compt	Doors	Opening Dimensions	Inside Dimensions	Volume
R1	Roll Up	43x54	50x59x10.75/26.25	32.3 CU FT
R2	Roll Up	53x23	60x28x10.75	10.5 CU FT
R3	Roll Up	43x54	50x59x10.75/26.25	32.3 CU FT
Rear Compartmentation				
Compt	Doors	Opening Dimensions	Inside Dimensions	Volume
A1	Roll Up	37x31	44x36x22.25	20.4 CU FT
Coffin Compartmentation				
Compt	Doors	Opening Dimensions	Inside Dimensions	Volume
LH	Hatch		LxHxW	25.4 CU FT
RH	Hatch	(2)70X22	160x22x28	57 CU FT
WATEROUS CSU-1500 GPM SINGLE STAGE 750 GALLON WATER TANK				Total Volume
				291.4 CU Ft



- Hose Load
- 400FT of 3"
 - 400FT of 2-1/2"
 - 1200FT of 5"



DIMENSIONS SHOWN ON THIS DRAWING ARE APPROXIMATE AND ARE SUBJECT TO MINOR DEVIATIONS DURING CONSTRUCTION.

IN THE EVENT OF A DISCREPANCY BETWEEN THE SUTPHEN SPECIFICATIONS AND DRAWING, THE SUTPHEN SPECIFICATIONS SHALL PREVAIL.

DRAWING IS FOR REFERENCE ONLY. SOME ITEMS PROPOSED MAY NOT BE SHOWN OR NOTED.

CUSTOMER APPROVAL

NAME: _____

TITLE: _____

DATE: _____

REV.	DESCRIPTION	BY	DATE
D	CHANGE CROSSLAY COVER	SED	02/27/24
C	CHANGE FRONT AND REAR TIRES FROM GOODYEAR TO MICHELIN	SED	09/05/23
B	REAR HEAT AC STORAGE, SPEEDOMETER	RR	06/30/23
A	CHANGES FROM PRE-CON	SED	5/29/22

DRAWN BY: S.DORFMAN

DATE: 2/9/2022

MFG. FACILITY: EAST

UTICA FIRE DEPARTMENT
UTICA, NY

CUSTOM STAINLESS RESCUE PUMPER - PS-09

DWG. NO.: HS-7513