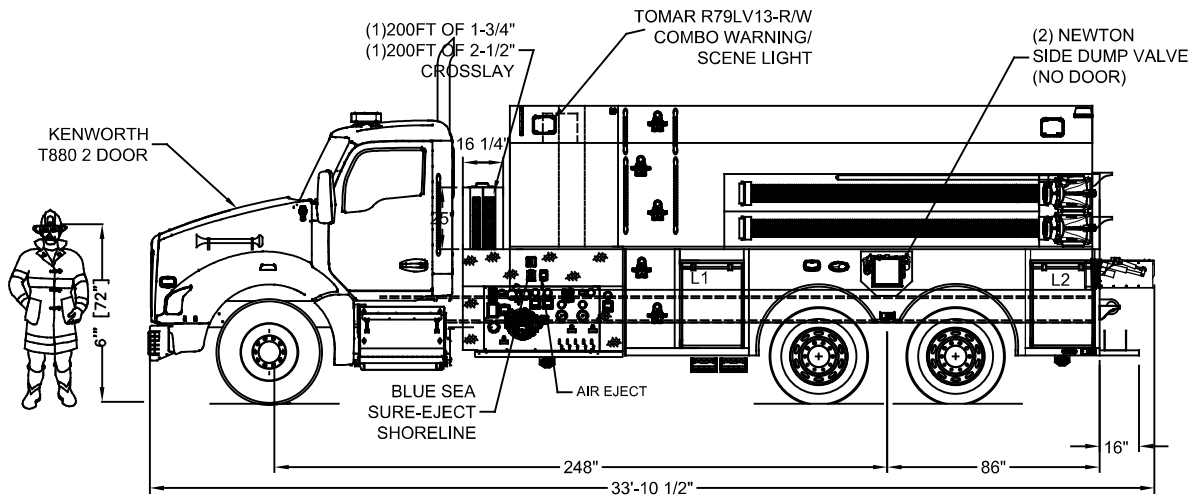
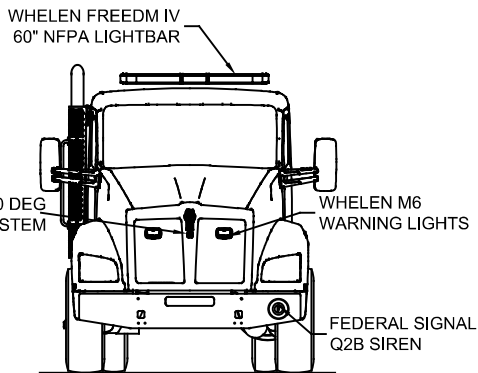
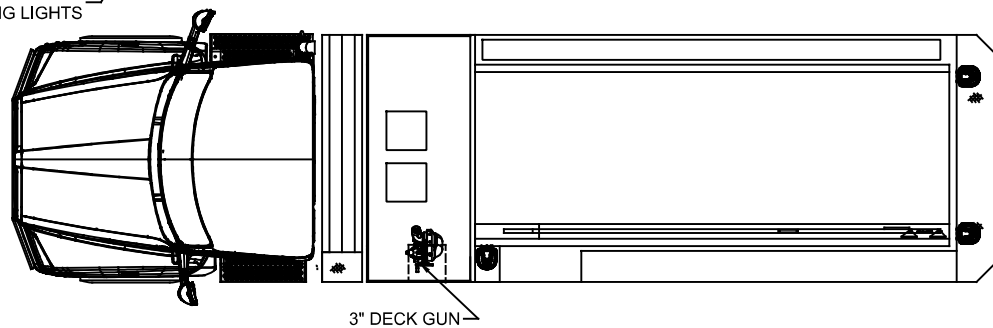


Left Side Compartmentation				
Compt	Doors	Opening Dimensions	Inside Dimensions WxHxD	Volume
L1	ROLL UP	33x26	40x39x24.25	21.9 CU FT
L2	ROLL UP	23x26	30x39x24.25	16.4 CU FT
Right Side Compartmentation				
Compt	Doors	Opening Dimensions	Inside Dimensions WxHxD	Volume
R1	ROLL UP	53x26	60x39x24.25	32.8 CU FT
R2	ROLL UP	43x26	50x39x24.25	27.4 CU FT
R3	ROLL UP	23x26	30x39x24.25	16.4 CU FT
HALE DSD 1250 SIDE KICK 3500 GAL. OF WATER				Total Volume
				114.9 CU FT



DIMENSIONS SHOWN ON THIS DRAWING ARE APPROXIMATE AND ARE SUBJECT TO MINOR DEVIATIONS DURING CONSTRUCTION.

IN THE EVENT OF A DISCREPANCY BETWEEN THE SUTPHEN SPECIFICATIONS AND DRAWING, THE SUTPHEN SPECIFICATIONS SHALL PREVAIL.

DRAWING IS FOR REFERENCE ONLY. SOME ITEMS PROPOSED MAY NOT BE SHOWN OR NOTED.

CUSTOMER APPROVAL	
NAME:	_____
TITLE:	_____
DATE:	_____

REV.	DESCRIPTION	BY	DATE
B	CHANGES FROM CHANGE ORDER B	SED	08/30/23
A	CHANGES FROM PRE-CON	SED	03/04/2022

DRAWN BY:
S.DORFMAN

DATE:
11/22/21

MFG. FACILITY:
EAST

SALEM/ MORROW FD
MORROW, OH

COMMERCIAL SWT-05C

DWG. NO.: HS-7939