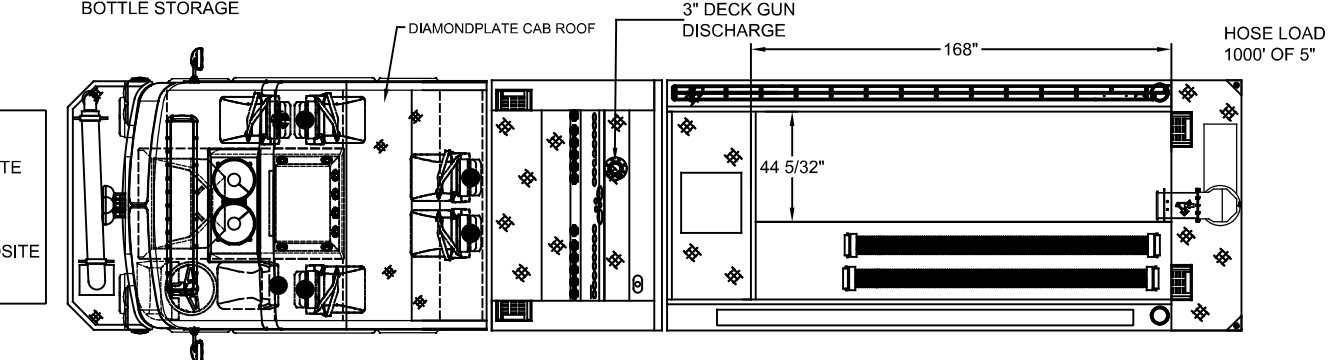
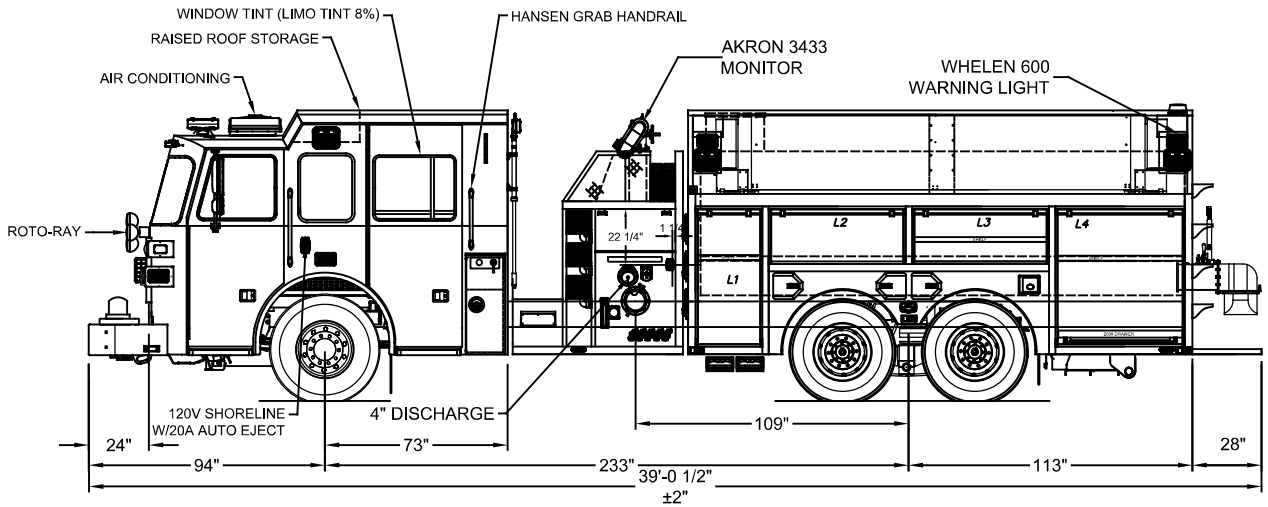
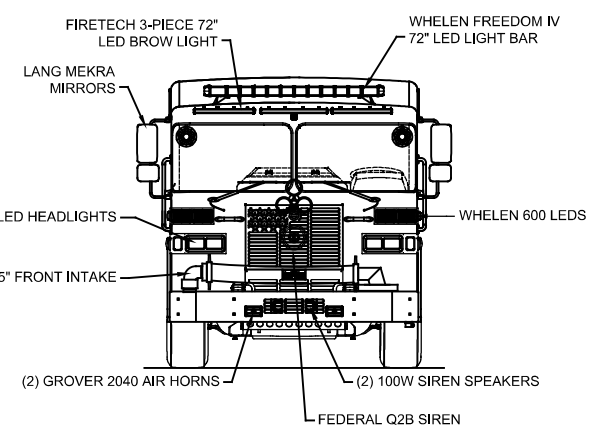


Left Side Compartmentation				
Compt	Doors	Opening Dimensions	Inside Dimensions	Volume
L1	Roll Up	24x50	31x40x10.25/27.25	21 CU FT
L2	Roll Up	50x17	57x27x10.25	9 CU FT
L3	Roll Up	50x17	57x27x10.25	9 CU FT
L4	Roll Up	48x50	56x40x10.25/27.25	38 CU FT
Right Side Compartmentation				
Compt	Doors	Opening Dimensions	Inside Dimensions	Volume
R1	Roll Up	24x50	31x40x10.25/27.25	21 CU FT
R2	Roll Up	50x17	57x27x10.25	9 CU FT
R3	Roll Up	50x17	57x27x10.25	9 CU FT
R4	Roll Up	48x50	56x40x10.25/27.25	38 CU FT
Total Volume				154 CU FT

- DUO-SAFETY LADDERS
- 28-2 SECTION EXT
- 14FT ROOF
- LITTLE GIANT LADDER
- SCBA STORAGE
- LMF: SINGLE
- LRF: SINGLE (2) FACING OPPOSITE SIDE
- RF: FUEL FILL
- RF: SINGLE
- RFM: SINGLE (2) FACING OPPOSITE SIDE
- RRF: SINGLE



HALE QMAX-XS 2000 GPM  
2500 GALLON WATER TANK



DIMENSIONS SHOWN ON THIS DRAWING ARE APPROXIMATE AND ARE SUBJECT TO MINOR DEVIATIONS DURING CONSTRUCTION.	CUSTOMER APPROVAL					DRAWN BY: SED	
	NAME: _____	REV C	CHANGES FROM CHANGE ORDER C	SED	4-12-24	DATE: 5/17/2021	
IN THE EVENT OF A DISCREPANCY BETWEEN THE SUTPHEN SPECIFICATIONS AND DRAWING, THE SUTPHEN SPECIFICATIONS SHALL PREVAIL.	TITLE: _____	REV B	CHANGES FROM CHANGE ORDER B	SED	1-27-23	MFG. FACILITY: EAST	HS-####
DRAWING IS FOR REFERENCE ONLY. SOME ITEMS PROPOSED MAY NOT BE SHOWN OR NOTED.	DATE: _____	REV A	CHANGES FROM PRE-CON	RR	8-15-22		
THIS PRINT IS PROVIDED ON A RESTRICTED BASIS AND IS NOT TO BE USED IN ANY WAY DETRIMENTAL TO THE INTEREST OF SUTPHEN CORPORATION.							