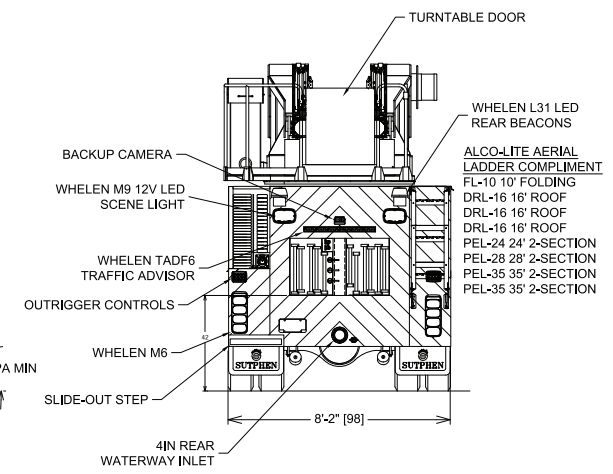
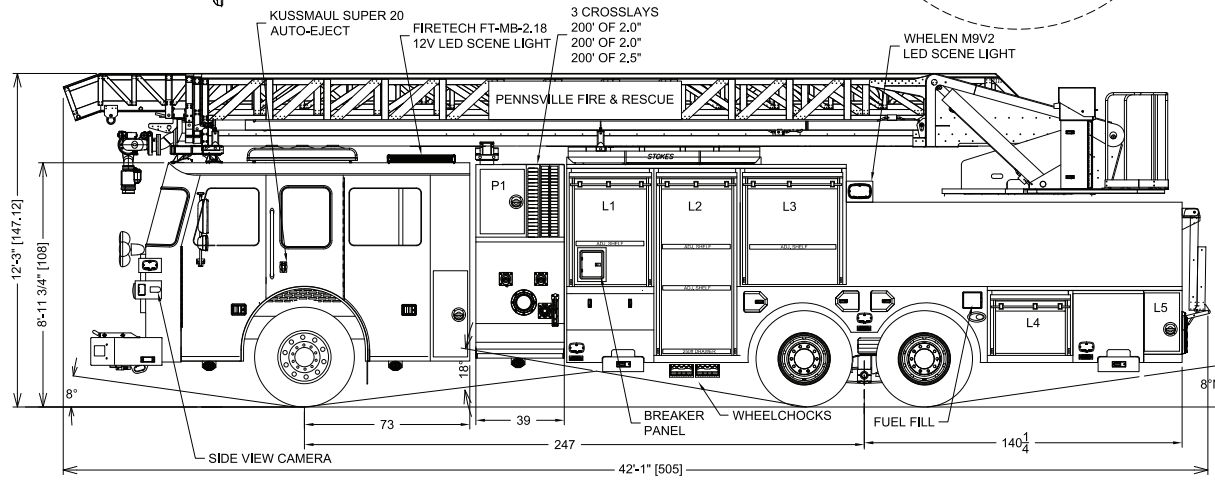


COMPT	DOORS	INSIDE DIMENSIONS	VOLUME
L1	ROLL-UP	38.23"W x 50.93"H x 16.82"D	18.84 CU. FT.
L2	ROLL-UP	37.97"W x 81.31"H x 20.00"D	35.73 CU. FT.
L3	ROLL-UP	46.80"W x 50.92"H x 20.00"D	27.58 CU. FT.
L4	ROLL-UP	37.86"W x 30.30"H x 20.00"D	13.27 CU. FT.
L5	HINGED	14.28"W x 30.30"H x 20.00"D	5.00 CU. FT.
R1	ROLL-UP	33.48"W x 50.93"H x 16.81"D	15.58 CU. FT.
R2	ROLL-UP	42.72"W x 81.31"H x 20.00"D	49.20 CU. FT.
R3	ROLL-UP	46.88"W x 50.92"H x 20.00"D	27.58 CU. FT.
R4	ROLL-UP	61.85"W x 36.17"H x 20.00"D	25.89 CU. FT.
R5	ROLL-UP	33.10"W x 62.05"H x 20.00"D	23.77 CU. FT.
R6 LOWER	ROLL-UP	53.00"W x 15.00"H x 16.81"D	7.71 CU. FT.
R6 UPPER	ROLL-UP	53.00"W x 21.17"H x 20.00"D	12.98 CU. FT.
R7	HINGED	22.39"W x 30.30"H x 20.00"D	7.85 CU. FT.
P1	HINGED	18.00"W x 27.50"H x 15.75"D	5.14 CU. FT.
TOTAL VOLUME			288.21 CU. FT.



DIMENSIONS SHOWN ON THIS DRAWING ARE APPROXIMATE AND ARE SUBJECT TO MINOR DEVIATIONS DURING CONSTRUCTION. IN THE EVENT OF A DISCREPANCY BETWEEN THE SUTPHEN SPECIFICATIONS AND DRAWING, THE SUTPHEN SPECIFICATIONS SHALL PREVAIL. DRAWING IS FOR REFERENCE ONLY. SOME ITEMS PROPOSED MAY NOT BE SHOWN OR NOTED.	CUSTOMER APPROVAL		REV.	DESCRIPTION	BY	DATE	DRAWN BY: APF	 PENNSVILLE FIRE & RESCUE PENNSVILLE, NJ
	NAME:	TITLE:					DATE:	

THIS PRINT IS PROVIDED ON A RESTRICTED BASIS AND IS NOT TO BE USED IN ANY WAY DETRIMENTAL TO THE INTEREST OF SUTPHEN CORPORATION.