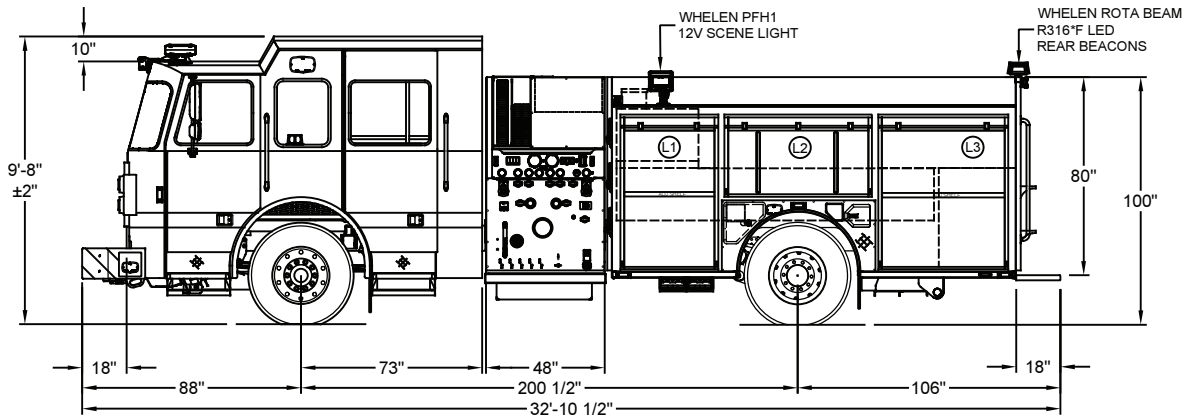
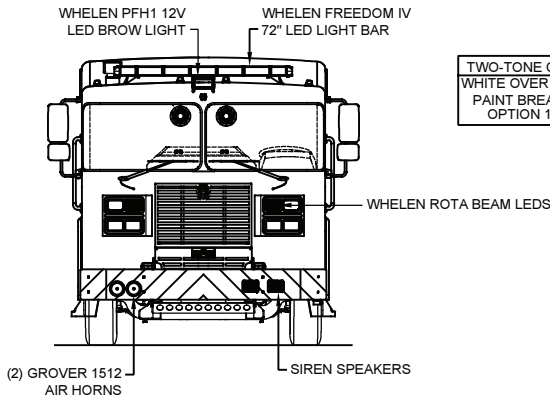
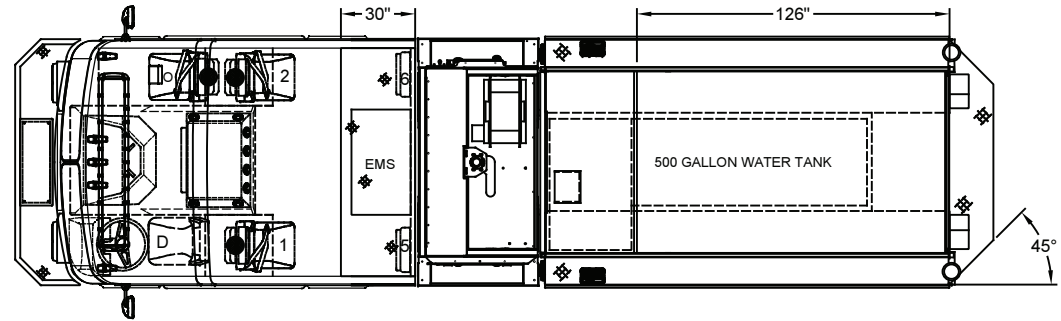


LEFT SIDE COMPARTMENTS				
COMPT	DOORS	OPENING DIMENSIONS	INSIDE DIMENSIONS	VOLUME
L1	ROLL-UP	37.5" w X 57.4" h	43.1" w X 66" h X 27.3" d	34.0 CU. FT. (26" h X 10.5" d UPPER)
L2	ROLL-UP	57.5" w X 28.2" h	61.6" w X 36.8" h X 10.5" d	13.8 CU. FT. (26" h X 10.5" d UPPER)
L3	ROLL-UP	50.5" w X 57.4" h	53.4" w X 66" h X 27.3" d	42.2 CU. FT. (26" h X 10.5" d UPPER)

RIGHT SIDE COMPARTMENTS				
COMPT	DOORS	OPENING DIMENSIONS	INSIDE DIMENSIONS	VOLUME
R1	ROLL-UP	37.5" w X 57.4" h	43.1" w X 66" h X 27.3" d	31.1 CU. FT. (33" h X 10.5" d UPPER)
R2	ROLL-UP	57.5" w X 28.2" h	61.6" w X 36.8" h X 10.5" d	13.8 CU. FT. (33" h X 10.5" d UPPER)
R3	ROLL-UP	50.5" w X 57.4" h	53.4" w X 66" h X 27.3" d	38.5 CU. FT. (33" h X 10.5" d UPPER)

REAR STEP COMPARTMENT				
COMPT	DOORS	OPENING DIMENSIONS	INSIDE DIMENSIONS	VOLUME
A1	ROLL-UP	37.5" w X 30.3" h	40" w X 40" h X 31" d	28.7 CU. FT.
TOTAL:				202.2 CU. FT.



DIMENSIONS SHOWN ON THIS DRAWING ARE APPROXIMATE AND ARE SUBJECT TO MINOR DEVIATIONS DURING CONSTRUCTION.	CUSTOMER APPROVAL		F	SHOP ORDER UPDATES AFTER FINAL INSPECTION	MC	12/01/22	DATE	09/13/21	<p>CLEVELAND FIRE DEPARTMENT CLEVELAND, OH</p> <p>CUSTOM PUMPER - S2M (MODIFIED)</p>
	IN THE EVENT OF A DISCREPANCY BETWEEN THE SUTPHEN SPECIFICATIONS AND DRAWING, THE SUTPHEN SPECIFICATIONS SHALL PREVAIL.	NAME: _____	E	ADD DEFROSTER FANS	MC	09/28/22	DRAWN BY:	M. CLARK	
DRAWING IS FOR REFERENCE ONLY. SOME ITEMS PROPOSED MAY NOT BE SHOWN OR NOTED.	TITLE: _____	D	COMPONENT REPORT UPDATED	MC	08/08/22				
	DATE: _____	C	ADDED PTA MEASUREMENT TO SHOP ORDER	MC	06/13/22				
		REV	DESCRIPTION	BY	DATE	MFG FACILITY:	DUBLIN	DWG NO:	HS-7285-86

THIS PRINT IS PROVIDED ON A RESTRICTED BASIS AND IS NOT TO BE USED IN ANY WAY DETRIMENTAL TO THE INTEREST OF SUTPHEN CORPORATION.