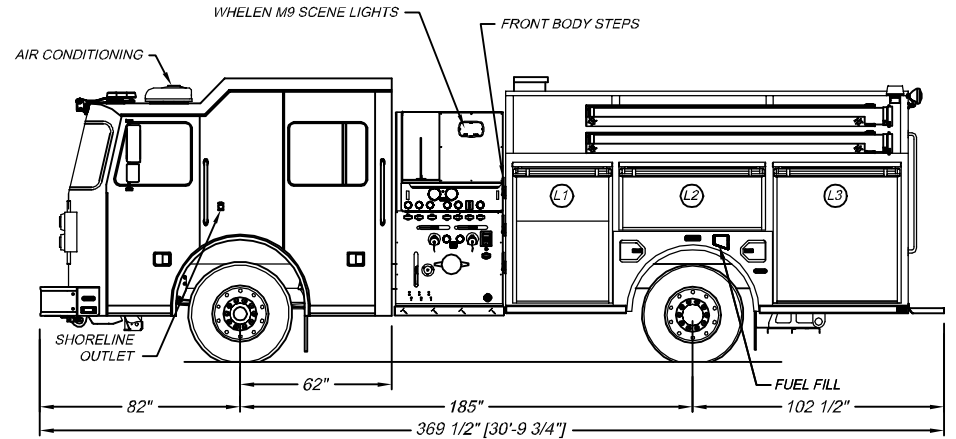
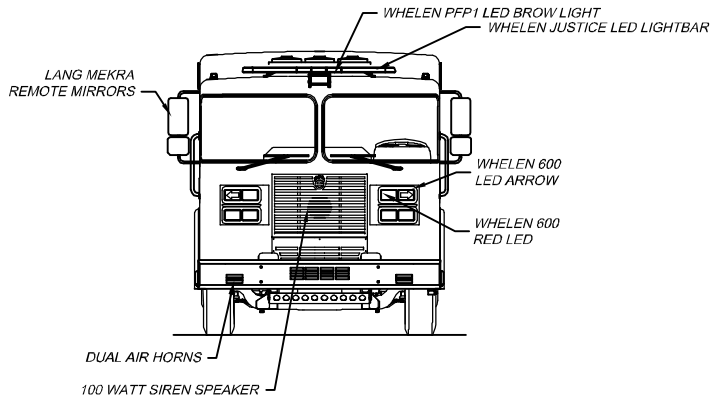


LEFT SIDE COMPARTMENTATION			
COMPT	DOORS	DIMENSIONS	VOLUME
L1	ROLL-UP	30"W X 50"H X 28"D	28 CU. FT.
L2	ROLL-UP	59"W X 21"H X 14 1/2"D	11 CU. FT.
L3	ROLL-UP	51 1/2"W X 51"H X 28"D	40 CU. FT.
RIGHT SIDE COMPARTMENTATION			
COMPT	DOORS	DIMENSIONS	VOLUME
R1	ROLL-UP	40"W X 50"H X 28"D	28 CU. FT.
R2	ROLL-UP	59"W X 21"H X 14 1/2"D	11 CU. FT.
R3	ROLL-UP	51 1/2"W X 51"H X 28"D	40 CU. FT.
REAR STEP COMPARTMENT			
COMPT	DOORS	DIMENSIONS	VOLUME
A1	ROLL-UP	39 1/2"W X 39"H X 31"D	27 CU. FT.
REAR CREW SEAT COMPARTMENT			
COMPT	DOORS	DIMENSIONS	VOLUME
C1	HINGED	47"W X 15"H X 18 1/2"D	8 CU. FT.

TOTAL STORAGE: 193 CU. FT.



DIMENSIONS SHOWN ON THIS DRAWING ARE APPROXIMATE AND ARE SUBJECT TO MINOR DEVIATIONS DURING CONSTRUCTION.

CUSTOMER APPROVAL

IN THE EVENT OF A DISCREPANCY BETWEEN THE SUTPHEN SPECIFICATIONS AND DRAWING, THE SUTPHEN SPECIFICATIONS SHALL PREVAIL.

NAME: _____
 TITLE: _____
 DATE: _____

REV.	DESCRIPTION	BY	DATE

SUTPHEN CORPORATION
 FIRE APPARATUS - SINCE 1890
 6450 EITERMAN ROAD DUBLIN, OH 43016

DRAWN BY: J. HAULMAN
 DATE: 9/24/2013

REV A DATE: _____
 BY: _____
 DATE: _____

STOCK 392
 GUARDIAN G2
 HS-5374