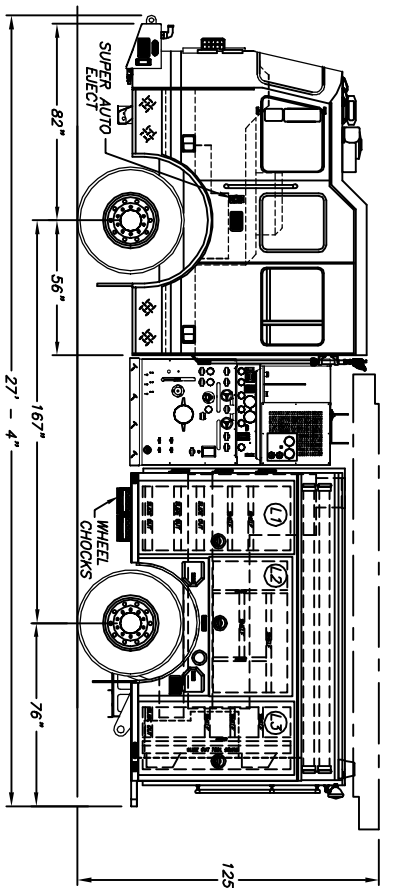
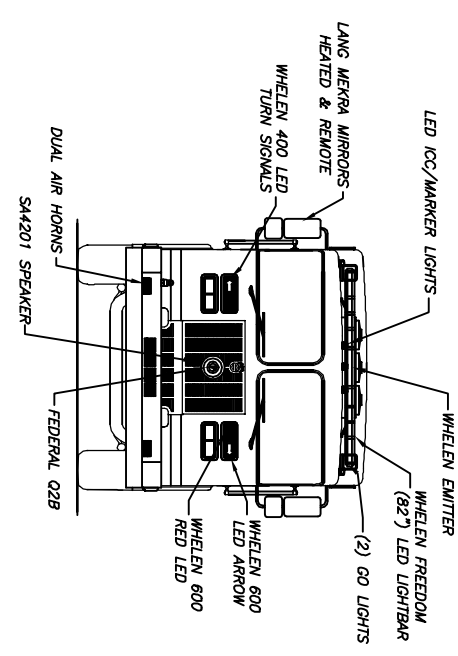
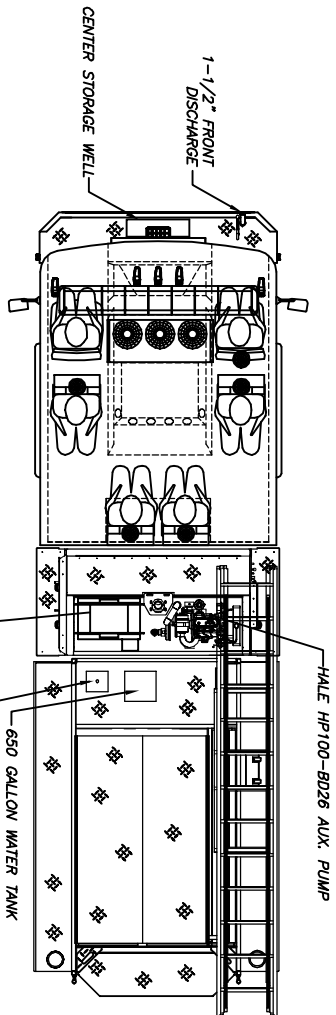


LEFT SIDE COMPARTMENTIZATION		INSIDE DIMENSIONS	
COMPT	DOORS	23 1/2" W X 62 3/4" H	31 1/2" W X 62" H
L1	SINGLE	27 1/2" W X 62 3/4" H	31 1/2" W X 62 1/2" H
L2	LEFT-UP	23 1/2" W X 62 3/4" H	31 1/2" W X 62 1/2" H
L3	SINGLE	23 1/2" W X 62 3/4" H	31 1/2" W X 62 1/2" H

RIGHT SIDE COMPARTMENTIZATION		INSIDE DIMENSIONS	
COMPT	DOORS	23 1/2" W X 62 3/4" H	31 1/2" W X 62" H
R1	SINGLE	27 1/2" W X 62 3/4" H	31 1/2" W X 62 1/2" H
R2	LEFT-UP	23 1/2" W X 62 3/4" H	31 1/2" W X 62 1/2" H
R3	SINGLE	23 1/2" W X 62 3/4" H	31 1/2" W X 62 1/2" H

REAR STEEL COMPARTMENTS		INSIDE DIMENSIONS	
COMPT	DOORS	40" W X 39" H	40" W X 40" X 39" H
A1	ROLL-UP	40" W X 39" H	40" W X 40" X 39" H



THE INFORMATION PRESENTED ON THIS DOCUMENT IS THE PROPERTY OF SUTPHEN CORPORATION. IT IS NOT TO BE REPRODUCED OR TRANSMITTED IN ANY FORM OR BY ANY MEANS, ELECTRONIC OR MECHANICAL, INCLUDING PHOTOCOPYING, RECORDING, OR BY ANY INFORMATION STORAGE AND RETRIEVAL SYSTEM. SUTPHEN CORPORATION RESERVES THE RIGHT TO MAKE CHANGES IN THE DESIGN OF OUR PRODUCTS AT ANY TIME, WITHOUT NOTIFICATION.

The undersigned approves this order for construction in accordance with the specifications and drawings listed herein. Any changes or modifications to these specifications must be approved by SUTPHEN CORPORATION. (Authorized Fire Dept. Representative)

APPROVED BY: _____ DATE: _____

SALES REPRESENTATIVE: _____ DATE: _____

REV	DESCRIPTION	DATE
D	REVISED TO MATCH THE AS BUILT TRUCK	RDG 12/17/10
C	ADDED CREW CAB HANDRAILS	RDG 11/23/10
B	UPDATED TO MATCH THE SHOP ORDER	RDG 11/9/10
A	CHANGED ENGINE TO A 450HP IPD THE 400	RDG 10/12/10

SUTPHEN CORPORATION
 THE APPARATUS SINCE 1890
 7000 AMBLER ROAD
 AMBLER, OHIO 43002
 INTERFACE PUMPER
 DEMO
 DATE: 9/13/10
 MODEL: NONE
 PART NO: HS-4918