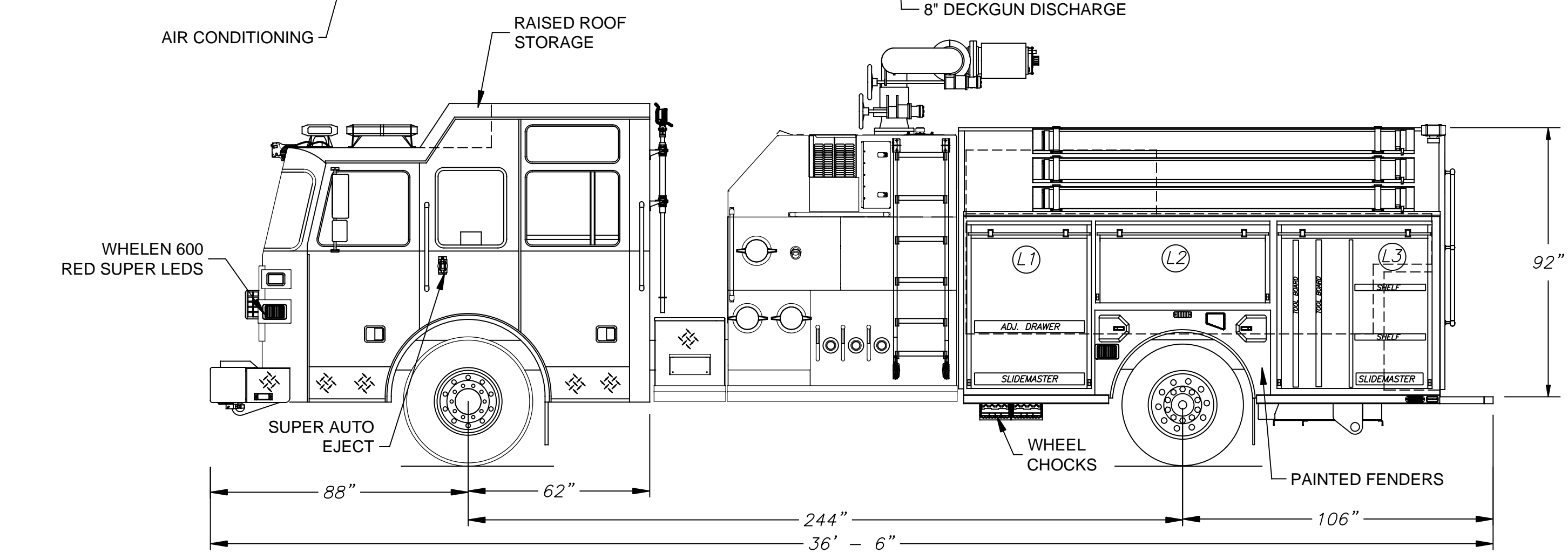
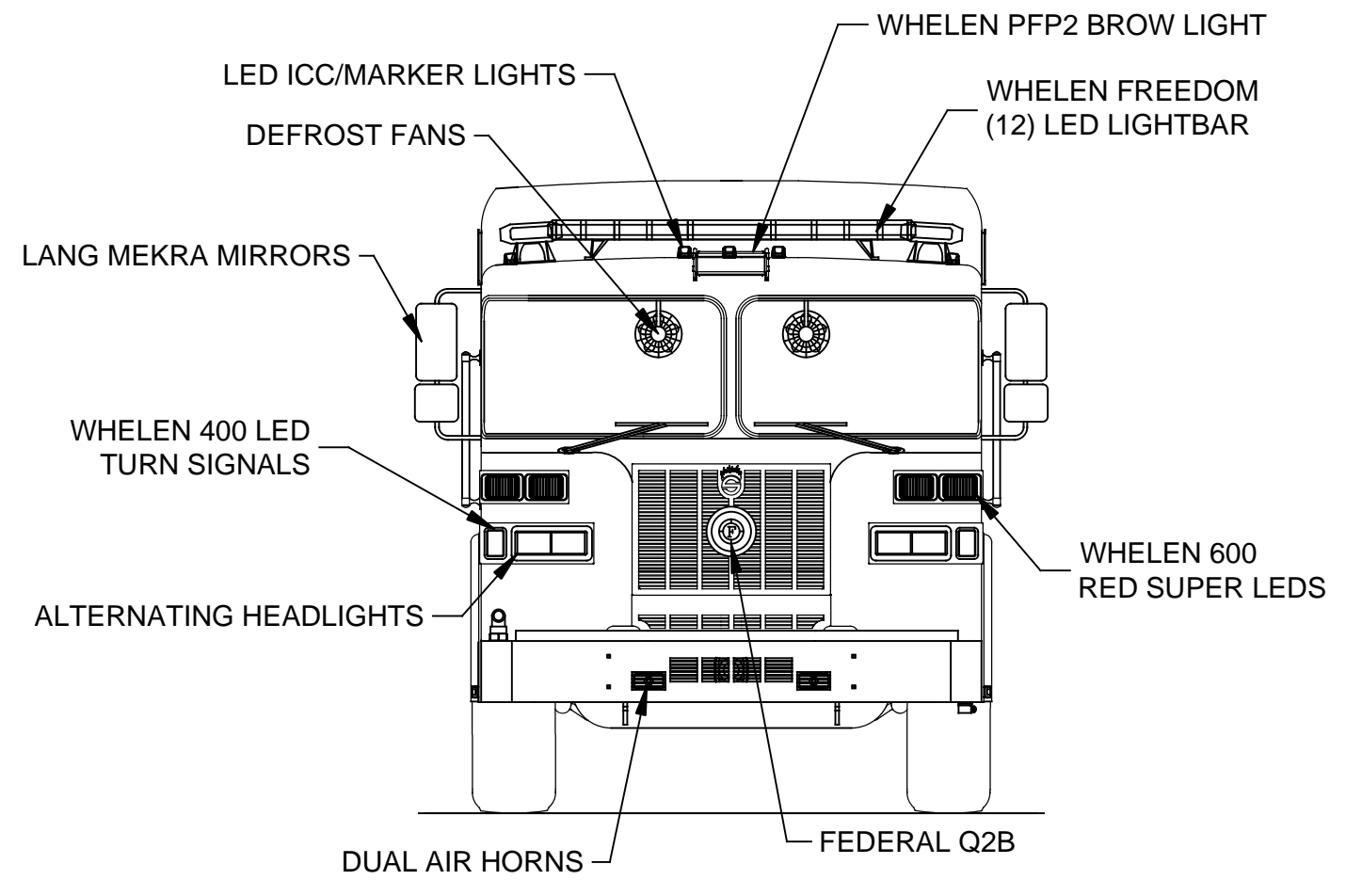
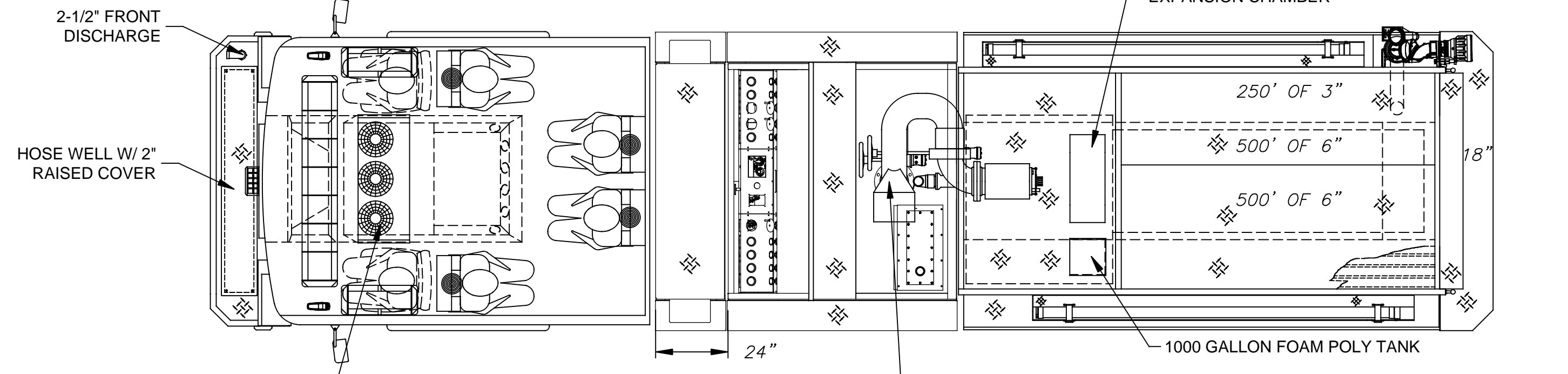


LEFT SIDE COMPARTMENTATION				
COMPT	DOORS	OPENING DIMENSIONS	INSIDE DIMENSIONS	VOLUME
L1	ROLL-UP	39.5" w X 56 7/8" h	43" w X 60" h X 27 1/4" d	46 CU. FT.
L2	ROLL-UP	58" w X 27 5/8" h	61 1/2" w X 30 1/2" h X 27 1/4" d	29 CU. FT.
L3	ROLL-UP	50" w X 56 7/8" h	53 1/2" w X 60" h X 27 1/4" d	50 CU. FT.

RIGHT SIDE COMPARTMENTATION				
COMPT	DOORS	OPENING DIMENSIONS	INSIDE DIMENSIONS	VOLUME
R1	ROLL-UP	39.5" w X 56 7/8" h	43" w X 60" h X 27 1/4" d	46 CU. FT.
R2	ROLL-UP	58" w X 27 5/8" h	61 1/2" w X 30 1/2" h X 10 1/2" d	29 CU. FT.
R3	ROLL-UP	50" w X 56 7/8" h	53 1/2" w X 60" h X 27 1/4" d	50 CU. FT.

REAR STEP COMPARTMENTS				
COMPT	DOORS	OPENING DIMENSIONS	INSIDE DIMENSIONS	VOLUME
A1	ROLL-UP	36" w X 16" h	40" w X 40" h X 30-1/2" d	28 CU. FT.

TOTAL STORAGE: 278 CU.FT.



THE INFORMATION PRESENTED ON THIS DOCUMENT IS TO BE USED FOR ILLUSTRATIVE PURPOSES ONLY AND IT MAY NOT REFLECT, AESTHETICALLY OR OTHERWISE, PAST OR PRESENT MANUFACTURED PRODUCTS. SUTPHEN CORPORATION RESERVES THE RIGHT TO MAKE CHANGES IN THE DESIGN OF OUR PRODUCTS AT ANY TIME, WITHOUT NOTIFICATION.

The undersigned approves this data for construction in accordance with any changes as indicated on these drawings.

APPROVED BY: _____ DATE: _____
 (Authorized Fire Dept. Representative)

SALES REPRESENTATIVE: _____ DATE: _____

REV.	DESCRIPTION	BY	DATE
A	ADDED TANK FILL AND TANK TO PUMP TP THE SHOP ORDER	RDG	9/28/14

THIS PRINT IS PROVIDED ON A RESTRICTED BASIS AND IS NOT TO BE USED IN ANY WAY DETRIMENTAL TO THE INTEREST OF SUTPHEN CORPORATION.

SUTPHEN CORPORATION
 FIRE APPARATUS SINCE 1890
 7000 COLUMBUS-MARYSVILLE ROAD
 AMLIN, OHIO 43002

DR. R.GROVE	STK 395	NO. REQ'D.
DATE 9/5/14	3000GPM / 1000 GAL	DWG. NO.
SCALE NONE	43/53 BODY	HS-5466